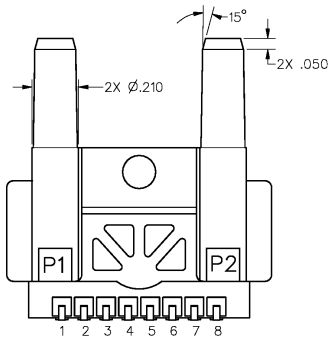
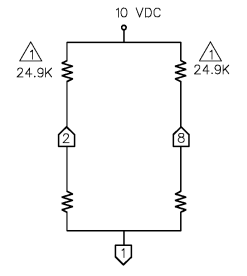


M AWM92200V

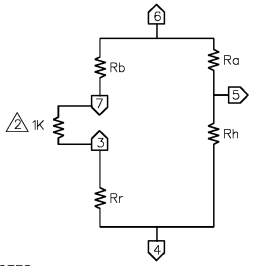


SPECIFICATIONS:

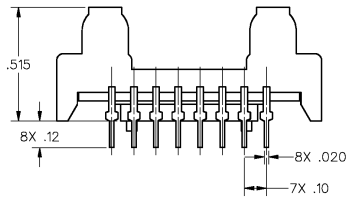
	MIN	TYP	MAX
SUPPLY VOLTAGE	8	10	15 VDC
POWER CONSUMPTION		50mW	
REPEATABILITY & HYSTERESIS			±1% READING TYP
RESPONSE TIME			3mSEC S.O. TYP
RATIO METRICITY ERROR		±3%	
OVERPRESSURE			25 PSI
AIRFLOW AT 2.0 IN H ₂ O	60	75	90 SCCM
OPERATING TEMPERATURE	-20	25	80° C
STORAGE TEMPERATURE	-40		90° C
SHOCK RATING			100 g PEAK

OUTPUT SPECIFICATIONS AT 10 VDC:

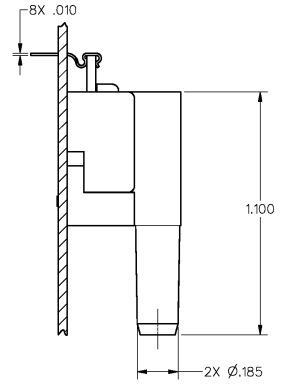
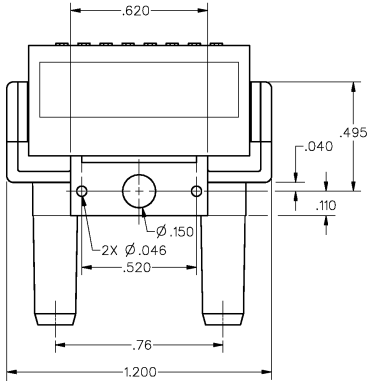
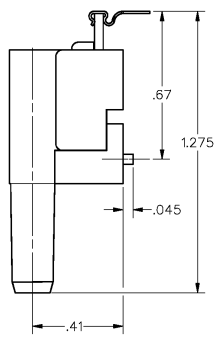
NULL VOLTAGE	0±15 Mv
OUTPUT AT 2.0 IN H ₂ O	45±25mV P1 TO P2
NULL OUTPUT SHIFT (-20°C TO +80°C)	±1 mV MAX
FULL SCALE OUTPUT SHIFT (-20°C TO +80°C)	±.5%/°C READING MAX



NOTES
 △ CUSTOMER SUPPLIED 24.9Ω MATCHED RESISTORS
 Z CUSTOMER SUPPLIED



DRAWING NUMBER: AWM92200V
 PAGE: 1 OF 1
 REVISIONS:
 A 28 OCT 89
 B 15 MAR 93
 C 11 MAR 93
 D 11 MAR 93
 E 11 MAR 93
 F 11 MAR 93
 G 11 MAR 93
 H 11 MAR 93
 I 11 MAR 93
 J 11 MAR 93
 K 11 MAR 93
 L 11 MAR 93
 M 11 MAR 93
 N 11 MAR 93
 O 11 MAR 93
 P 11 MAR 93
 Q 11 MAR 93
 R 11 MAR 93
 S 11 MAR 93
 T 11 MAR 93
 U 11 MAR 93
 V 11 MAR 93
 W 11 MAR 93
 X 11 MAR 93
 Y 11 MAR 93
 Z 11 MAR 93
 3
 DDM/CAD
 J J A 12 MAR 93
 K J J A 12 MAR 93
 L J J A 12 MAR 93
 M J J A 12 MAR 93
 N J J A 12 MAR 93
 O J J A 12 MAR 93
 P J J A 12 MAR 93
 Q J J A 12 MAR 93
 R J J A 12 MAR 93
 S J J A 12 MAR 93
 T J J A 12 MAR 93
 U J J A 12 MAR 93
 V J J A 12 MAR 93
 W J J A 12 MAR 93
 X J J A 12 MAR 93
 Y J J A 12 MAR 93
 Z J J A 12 MAR 93
 RELEASE NO. PR-21491
 X97151-AW



THIRD ANGLE PROJECTION

SCALE 3 : 1

DO NOT SCALE PRINT

UNLESS OTHERWISE SPECIFIED TOLERANCES ARE:

ONE PLACE	(0)	±.030
TWO PLACES	(.00)	±.015
THREE PLACES	(.000)	±.005
ANGLES		±

WEIGHT

THIS DRAWING COVERS A PROPRIETARY ITEM AND IS THE PROPERTY OF MICRO SWITCH, A DIVISION OF HONEYWELL. THIS DRAWING IS NOT TO BE COPIED OR USED WITHOUT THE APPROVAL OF MICRO SWITCH.

MICRO SWITCH
 a Honeywell Division

AIRFLOW SENSOR

CATALOG LISTING
 AWM92200V

MASTER REDUCED
 ANSI Y14.5M-1982 APPLIES

FED. WFO. CODE #1829