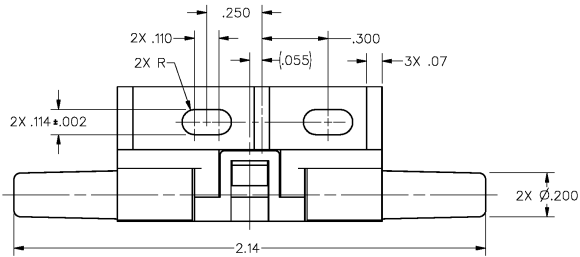


M AWM2300VH



SPECIFICATIONS:		AWM2100VH
RECOMMENDED EXCITATION (USING TEST CIRCUIT) BVDC MIN		10.00±0.1VDC (15.00 VDC MAX)
POWER CONSUMPTION		30mW
OUTPUT VOLTAGE TRIM POINT		30mV @ 100 sccm
NULL VOLTAGE		0.0±1.0mV
NULL VOLTAGE SHIFT (-25°C TO +85°C)		±14mV TYP
OUTPUT VOLTAGE SHIFT (+25°C TO -25°C)		+2.5% F.S.O.
		-2.5% F.S.O.
REPEATABILITY & HYSTERESIS		±.35% F.S.O. MAX
RESPONSE TIME		3.0 msec MAX
OPERATING TEMPERATURE RANGE		-25°C TO +85°C
STORAGE TEMPERATURE RANGE		-40°C TO +90°C
TERMINATION (ON .100 CENTERS)		0.025 SQ. IN.
WEIGHT		10.8 GRAMS
SHOCK RATING (5 DROPS, EACH OF 6 AXES)		100G PEAK
OVERPRESSURE		25 PSI MAX
SENSOR RESISTANCE (PIN 2-PIN 1, PIN 6-PIN 1)		5 K-OHMS (TYP)
SENSOR CURRENT (PIN 2-PIN 1, PIN 6-PIN 1)		0.6 mA (MAX)

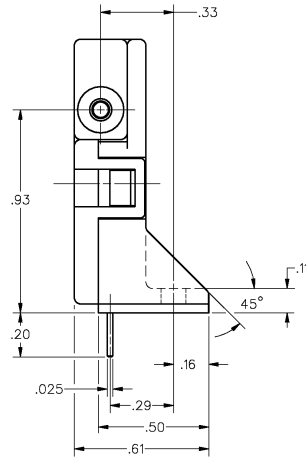
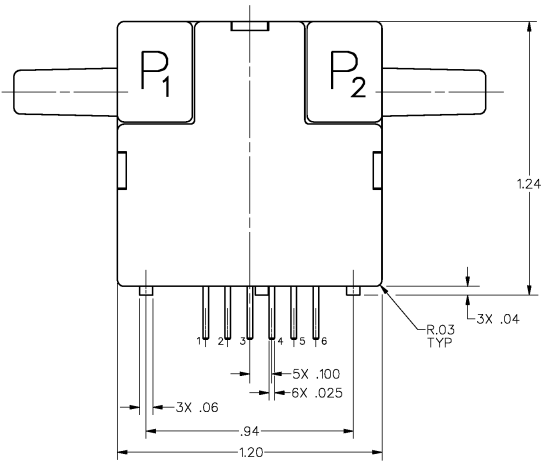
OUTPUT FLOW VS. INTERCHANGEABILITY

FLOW (Sccm)	NOMINAL (mV)	TOL. (±mV)
1000	55.50	3.70
800	52.90	3.5
650	50.00	2.50
400	40.50	3.00
200	29.20	3.20
0	0.00	1.0
-200	-28.90	15.00
-400	-41.20	26.00
-600	-48.20	29.50
-800	-52.50	32.50
-1000	-55.00	38.00

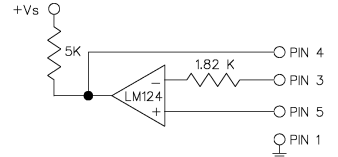
NOTES

- 1 - POSITIVE FLOW DIRECTION IS DEFINED AS PROCEEDING FROM P1 TO P2 AND RESULTS IN POSITIVE OUTPUT (PIN 6 > PIN 2). NEGATIVE FLOW DIRECTION IS DEFINED CONVERSELY AND RESULTS IN NEGATIVE OUTPUT (PIN 6 < PIN 2)
- 2 - THIS PRODUCT IS COMPATIBLE WITH HYDROGEN GAS. THE NULL VOLTAGE WILL SHIFT LESS THAN .4MV

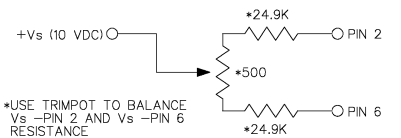
DATA SHEET NUMBER: AWM2300VH
 PAGE 1 OF 1
 ISSUE 5
 REVISIONS:
 A) 05/09/82
 B) 08/01/82
 C) 05/04/87
 D) 2013/05
 J. A. H. 3SE/DJG
 RASTER
 MICRO SWITCH
 HONEYWELL



HEATER CONTROL CIRCUIT



SENSING BRIDGE SUPPLY CIRCUIT



THIRD ANGLE PROJECTION		
SCALE 3 : 1		
DO NOT SCALE PRINT		
UNLESS OTHERWISE SPECIFIED TOLERANCES ARE		
ONE PLACE (L0)	±.030	
TWO PLACES (L00)	±.015	
THREE PLACES (L000)	±.005	
ANGLES	±	
WEIGHT		

THIS DRAWING COVERS A PROPRIETARY ITEM AND IS THE PROPERTY OF MICRO SWITCH, A DIVISION OF HONEYWELL. THIS DRAWING IS NOT TO BE COPIED OR USED WITHOUT THE APPROVAL OF MICRO SWITCH.

MICRO SWITCH a Honeywell Division	MASS AIRFLOW SENSOR	CATALOG LISTING AWM2300VH
---	---------------------	------------------------------

MASTER REDUCED
ANSI Y14.5M-1982 APPLIES