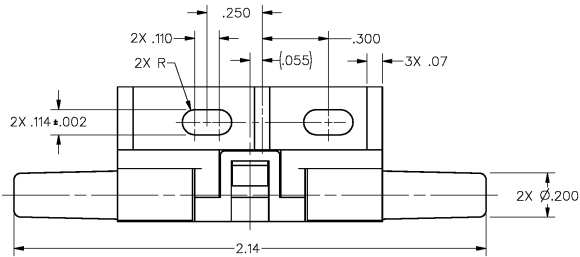


M AWM2100VH



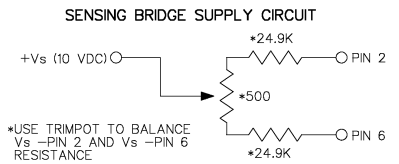
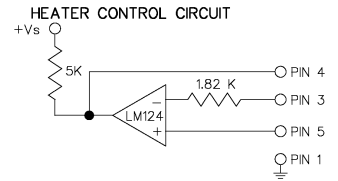
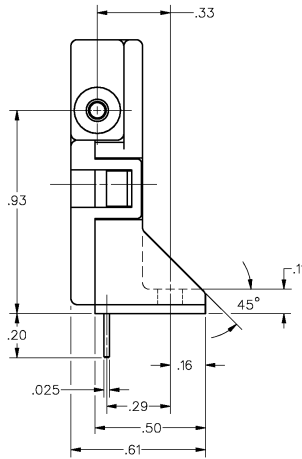
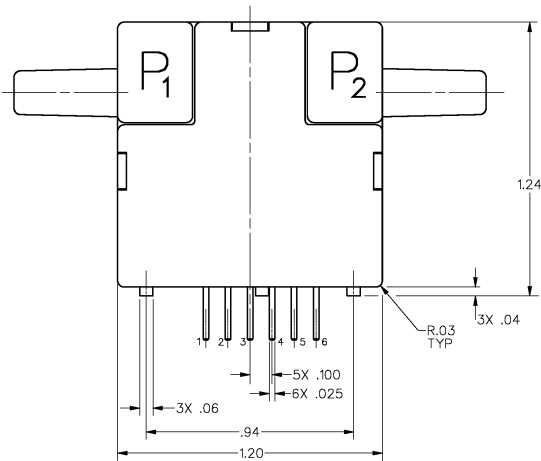
SPECIFICATIONS:	AWM2100VH
RECOMMENDED EXCITATION (USING TEST CIRCUIT) 8VDC MIN	10.00±0.1VDC (15.00 VDC MAX)
POWER CONSUMPTION	30mW
OUTPUT VOLTAGE TRIM POINT	30mV @ 100 sccm
NULL VOLTAGE SHIFT (-25°C TO +85°C)	0.0±1.0mV
OUTPUT VOLTAGE SHIFT (+25°C TO -25°C)	±14mV TYP
OUTPUT VOLTAGE SHIFT (+25°C TO +85°C)	+2.5% F.S.O.
REPEATABILITY & HYSTERESIS	-2.5% F.S.O.
RESPONSE TIME	±35% F.S.O. MAX
OPERATING TEMPERATURE RANGE	3.0 msec MAX
STORAGE TEMPERATURE RANGE	-25°C TO +85°C
TERMINATION (ON .100 CENTERS)	-40°C TO +90°C
WEIGHT	0.025 SQ. IN.
SHOCK RATING (5 DROPS, EACH OF 6 AXES)	10.8 GRAMS
OVERPRESSURE	100G PEAK
SENSOR RESISTANCE (PIN 2-PIN 1, PIN 6-PIN 1)	25 psi MAX
SENSOR CURRENT (PIN 2-PIN 1, PIN 6-PIN 1)	5 K-OHMS (TYP)
	0.6 mA (MAX)

OUTPUT FLOW VS. INTERCHANGEABILITY

FLOW (Sccm)	NOMINAL (mV)	TOL. (±mV)
200	44.50	4.25
150	38.75	3.00
100	30.00	1.5
50	18.50	2.50
0	0.00	1.0
-50	-16.50	4.50
-100	-30.00	5.00
-150	-38.75	7.65
-200	-44.50	9.75

- NOTES
- 1 - POSITIVE FLOW DIRECTION IS DEFINED AS PROCEEDING FROM P1 TO P2 AND RESULTS IN POSITIVE OUTPUT (PIN 6 > PIN 2). NEGATIVE FLOW DIRECTION IS DEFINED CONVERSELY AND RESULTS IN NEGATIVE OUTPUT (PIN 6 < PIN 2)
 - 2 - THIS PRODUCT IS COMPATIBLE WITH HYDROGEN GAS. THE NULL VOLTAGE WILL SHIFT LESS THAN .4mV

DRAWING NUMBER: AWM2100VH
 PAGE 1 OF 1
 REVISIONS:
 A) 08/30/93
 B) 01/22/95
 C) 02/04/93
 D) 03/24/93
 J. J. E. APR 95
 FORMTEK
 MASTER REDUCED
 ANSI Y14.5M-1982 APPLIES



THIRD ANGLE PROJECTION

SCALE 3 : 1

DO NOT SCALE PRINT

UNLESS OTHERWISE SPECIFIED TOLERANCES ARE

ONE PLACE (L0)	±.030
TWO PLACES (L00)	±.015
THREE PLACES (L000)	±.005
ANGLES	±

WEIGHT

THIS DRAWING COVERS A PROPRIETARY ITEM AND IS THE PROPERTY OF MICRO SWITCH, A DIVISION OF HONEYWELL. THIS DRAWING IS NOT TO BE COPIED OR USED WITHOUT THE APPROVAL OF MICRO SWITCH.

MICRO SWITCH a Honeywell Division	MASS AIRFLOW SENSOR	CATALOG LISTING AWM2100VH
---	---------------------	------------------------------

FED. WFO. CODE #1826