

## Features

- Serial Peripheral Interface (SPI) Compatible
- Supports SPI Modes 0 (0,0) and 3 (1,1)
- Data Sheet Describes Mode 0 Operation
- Low-voltage and Standard-voltage Operation
  - 1.8 (VCC = 1.8V to 5.5V)
- 20 MHz Clock Rate (5V)
- 64-byte Page Mode and Byte Write Operation
- Block Write Protection
  - Protect 1/4, 1/2, or Entire Array
- Write Protect (WP) Pin and Write Disable Instructions for Both Hardware and Software Data Protection
- Self-timed Write Cycle (5 ms Max)
- High-reliability
  - Endurance: 1 Million Write Cycles
  - Data Retention: >100 Years
- Green (Pb/Halide-free/RoHS Compliant) Packaging Options
- Die Sales: Wafer Form, Waffle Pack, and Bumped Die

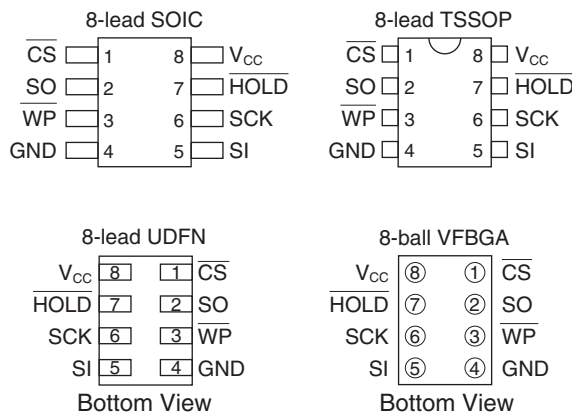
## Description

The AT25128B/256B provides 131,072/262,144 bits of serial electrically-erasable programmable read only memory (EEPROM) organized as 16,384/32,768 words of 8 bits each. The device is optimized for use in many industrial and commercial applications where low-power and low-voltage operation are essential. The devices are available in space saving 8-lead SOIC, 8-lead TSSOP, 8-ball VFBGA and 8-lead UDFN packages. In addition, the entire family is available in 1.8V (1.8V to 5.5V).

The AT25128B/256B is enabled through the Chip Select pin ( $\overline{CS}$ ) and accessed via a 3-wire interface consisting of Serial Data Input (SI), Serial Data Output (SO), and Serial Clock (SCK). All programming cycles are completely self-timed, and no separate Erase cycle is required before Write.

**Table 0-1.** Pin Configurations

| Pin             | Function              |
|-----------------|-----------------------|
| $\overline{CS}$ | Chip Select           |
| SCK             | Serial Data Clock     |
| SI              | Serial Data Input     |
| SO              | Serial Data Output    |
| GND             | Ground                |
| V <sub>CC</sub> | Power Supply          |
| $\overline{WP}$ | Write Protect         |
| HOLD            | Suspends Serial Input |



Block Write protection is enabled by programming the status register with top 1/4, top 1/2 or entire array of write protection. Separate Program Enable and Program Disable instructions are provided for additional data protection. Hardware data protection is provided via the  $\overline{WP}$  pin to protect against inadvertent write attempts to the status register. The  $\overline{HOLD}$  pin may be used to suspend any serial communication without resetting the serial sequence.



## SPI Serial EEPROMS

128K (16,384 x 8)

256K (32,768 x 8)

AT25128B

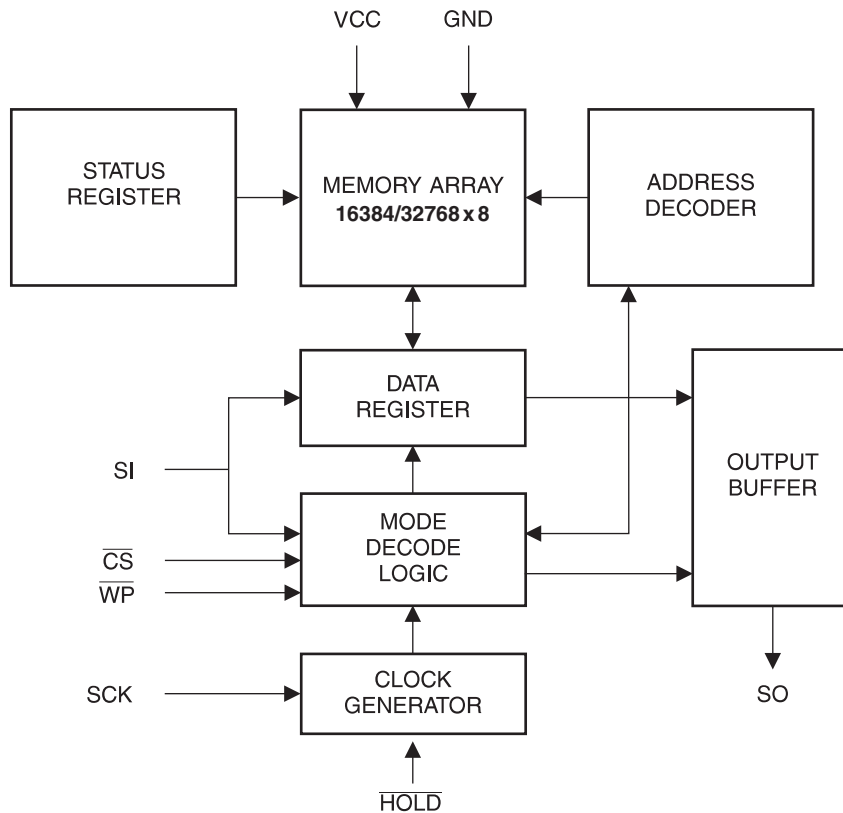
AT25256B



# 1. Absolute Maximum Ratings\*

|                                                |                  |                                                                                                                                                                                                                                                                                                                                                                                                                           |
|------------------------------------------------|------------------|---------------------------------------------------------------------------------------------------------------------------------------------------------------------------------------------------------------------------------------------------------------------------------------------------------------------------------------------------------------------------------------------------------------------------|
| Operating Temperature .....                    | -55°C to +125°C  | <b>*NOTICE:</b> Stresses beyond those listed under “Absolute Maximum Ratings” may cause permanent damage to the device. This is a stress rating only and functional operation of the device at these or any other conditions beyond those indicated in the operational sections of this specification are not implied. Exposure to absolute maximum rating conditions for extended periods may affect device reliability. |
| Storage Temperature .....                      | -65°C to + 150°C |                                                                                                                                                                                                                                                                                                                                                                                                                           |
| Voltage on Any Pin with Respect to Ground..... | -1.0 V +7.0V     |                                                                                                                                                                                                                                                                                                                                                                                                                           |
| Maximum Operating Voltage.....                 | 6.25V            |                                                                                                                                                                                                                                                                                                                                                                                                                           |
| DC Output Current .....                        | 5.0 mA           |                                                                                                                                                                                                                                                                                                                                                                                                                           |

Figure 1-1. Block Diagram



**Table 1-1.** Pin Capacitance <sup>(1)</sup>

Applicable over recommended operating range from  $T_A = 25^\circ\text{C}$ ,  $f = 1.0\text{ MHz}$ ,  $V_{CC} = +5.0\text{V}$  (unless otherwise noted)

| Symbol    | Test Conditions                                                                      | Max | Units | Conditions            |
|-----------|--------------------------------------------------------------------------------------|-----|-------|-----------------------|
| $C_{OUT}$ | Output Capacitance (SO)                                                              | 8   | pF    | $V_{OUT} = 0\text{V}$ |
| $C_{IN}$  | Input Capacitance ( $\overline{CS}$ , SCK, SI, $\overline{WP}$ , $\overline{HOLD}$ ) | 6   | pF    | $V_{IN} = 0\text{V}$  |

Notes: 1. This parameter is characterized and is not 100% tested.

**Table 1-2.** DC Characteristics

Applicable over recommended operating range from  $T_A = -40^\circ\text{C}$  to  $+85^\circ\text{C}$ ,  $V_{CC} = +1.8\text{V}$  to  $+5.5\text{V}$ ,  $V_{CC} = +1.8\text{V}$  to  $+5.5\text{V}$  (unless otherwise noted)

| Symbol         | Parameter           | Test Condition                                                                      | Min                 | Typ | Max                 | Units         |
|----------------|---------------------|-------------------------------------------------------------------------------------|---------------------|-----|---------------------|---------------|
| $V_{CC1}$      | Supply Voltage      |                                                                                     | 1.8                 |     | 5.5                 | V             |
| $V_{CC2}$      | Supply Voltage      |                                                                                     | 2.5                 |     | 5.5                 | V             |
| $V_{CC3}$      | Supply Voltage      |                                                                                     | 4.5                 |     | 5.5                 | V             |
| $I_{CC1}$      | Supply Current      | $V_{CC} = 5.0\text{V}$ at 20 MHz, SO = Open, Read                                   |                     | 9.0 | 10.0                | mA            |
| $I_{CC2}$      | Supply Current      | $V_{CC} = 5.0\text{V}$ at 10 MHz, SO = Open, Read, Write                            |                     | 5.0 | 7.0                 | mA            |
| $I_{CC3}$      | Supply Current      | $V_{CC} = 5.0\text{V}$ at 1 MHz, SO = Open, Read, Write                             |                     | 2.2 | 3.5                 | mA            |
| $I_{SB1}$      | Standby Current     | $V_{CC} = 1.8\text{V}$ , $\overline{CS} = V_{CC}$                                   |                     | 0.2 | 3.0                 | $\mu\text{A}$ |
| $I_{SB2}$      | Standby Current     | $V_{CC} = 2.5\text{V}$ , $\overline{CS} = V_{CC}$                                   |                     | 0.5 | 3.0                 | $\mu\text{A}$ |
| $I_{SB3}$      | Standby Current     | $V_{CC} = 5.0\text{V}$ , $\overline{CS} = V_{CC}$                                   |                     | 2.0 | 5.0                 | $\mu\text{A}$ |
| $I_{IL}$       | Input Current       | $V_{IN} = 0\text{V}$ to $V_{CC}$                                                    | -3.0                |     | 3.0                 | $\mu\text{A}$ |
| $I_{OL}$       | Output Leakage      | $V_{IN} = 0\text{V}$ to $V_{CC}$ , $T_{AC} = 0^\circ\text{C}$ to $70^\circ\text{C}$ | -3.0                |     | 3.0                 | $\mu\text{A}$ |
| $V_{IL}^{(1)}$ | Input Low-voltage   |                                                                                     | -1.0                |     | $V_{CC} \times 0.3$ | V             |
| $V_{IH}^{(1)}$ | Input High-voltage  |                                                                                     | $V_{CC} \times 0.7$ |     | $V_{CC} + 0.5$      | V             |
| $V_{OL1}$      | Output Low-voltage  | $3.6\text{V} \leq V_{CC} \leq 5.5\text{V}$                                          |                     |     | 0.4                 | V             |
| $V_{OH1}$      | Output High-voltage |                                                                                     |                     |     | $V_{CC} - 0.8$      | V             |
| $V_{OL2}$      | Output Low-voltage  | $1.8\text{V} \leq V_{CC} \leq 3.6\text{V}$                                          |                     |     | 0.2                 | V             |
| $V_{OH2}$      | Output High-voltage |                                                                                     |                     |     | $V_{CC} - 0.2$      | V             |

Notes: 1.  $V_{IL}$  min and  $V_{IH}$  max are reference only and are not tested.

**Table 1-3.** AC Characteristics

Applicable over recommended operating range from  $T_A = -40^{\circ}\text{C}$  to  $+85^{\circ}\text{C}$ ,  $V_{CC} = \text{As Specified}$ ,  
 $CL = 1$  TTL Gate and  $30$  pF (unless otherwise noted)

| Symbol           | Parameter                           | Voltage | Min | Max | Units         |
|------------------|-------------------------------------|---------|-----|-----|---------------|
| $f_{\text{SCK}}$ | SCK Clock Frequency                 | 4.5–5.5 | 0   | 20  | MHz           |
|                  |                                     | 2.5–5.5 | 0   | 10  |               |
|                  |                                     | 1.8–5.5 | 0   | 5   |               |
| $t_{\text{RI}}$  | Input Rise Time                     | 4.5–5.5 |     | 2   | $\mu\text{s}$ |
|                  |                                     | 2.5–5.5 |     | 2   |               |
|                  |                                     | 1.8–5.5 |     | 2   |               |
| $t_{\text{FI}}$  | Input Fall Time                     | 4.5–5.5 |     | 2   | $\mu\text{s}$ |
|                  |                                     | 2.5–5.5 |     | 2   |               |
|                  |                                     | 1.8–5.5 |     | 2   |               |
| $t_{\text{WH}}$  | SCK High Time                       | 4.5–5.5 | 20  |     | ns            |
|                  |                                     | 2.5–5.5 | 40  |     |               |
|                  |                                     | 1.8–5.5 | 80  |     |               |
| $t_{\text{WL}}$  | SCK Low Time                        | 4.5–5.5 | 20  |     | ns            |
|                  |                                     | 2.5–5.5 | 40  |     |               |
|                  |                                     | 1.8–5.5 | 80  |     |               |
| $t_{\text{CS}}$  | $\overline{\text{CS}}$ High Time    | 4.5–5.5 | 100 |     | ns            |
|                  |                                     | 2.5–5.5 | 100 |     |               |
|                  |                                     | 1.8–5.5 | 200 |     |               |
| $t_{\text{CSS}}$ | $\overline{\text{CS}}$ Setup Time   | 4.5–5.5 | 100 |     | ns            |
|                  |                                     | 2.5–5.5 | 100 |     |               |
|                  |                                     | 1.8–5.5 | 200 |     |               |
| $t_{\text{CSH}}$ | $\overline{\text{CS}}$ Hold Time    | 4.5–5.5 | 100 |     | ns            |
|                  |                                     | 2.5–5.5 | 100 |     |               |
|                  |                                     | 1.8–5.5 | 200 |     |               |
| $t_{\text{SU}}$  | Data In Setup Time                  | 4.5–5.5 | 5   |     | ns            |
|                  |                                     | 2.5–5.5 | 10  |     |               |
|                  |                                     | 1.8–5.5 | 20  |     |               |
| $t_{\text{H}}$   | Data In Hold Time                   | 4.5–5.5 | 5   |     | ns            |
|                  |                                     | 2.5–5.5 | 10  |     |               |
|                  |                                     | 1.8–5.5 | 20  |     |               |
| $t_{\text{HD}}$  | $\overline{\text{HOLD}}$ Setup Time | 4.5–5.5 | 5   |     | ns            |
|                  |                                     | 2.5–5.5 | 10  |     |               |
|                  |                                     | 1.8–5.5 | 20  |     |               |
| $t_{\text{CD}}$  | $\overline{\text{HOLD}}$ Hold Time  | 4.5–5.5 | 5   |     | ns            |
|                  |                                     | 2.5–5.5 | 10  |     |               |
|                  |                                     | 1.8–5.5 | 20  |     |               |
| $t_{\text{V}}$   | Output Valid                        | 4.5–5.5 | 0   | 20  | ns            |
|                  |                                     | 2.5–5.5 | 0   | 40  |               |
|                  |                                     | 1.8–5.5 | 0   | 80  |               |
| $t_{\text{HO}}$  | Output Hold Time                    | 4.5–5.5 | 0   |     | ns            |
|                  |                                     | 2.5–5.5 | 0   |     |               |
|                  |                                     | 1.8–5.5 | 0   |     |               |

**Table 1-3.** AC Characteristics (Continued)

Applicable over recommended operating range from  $T_A = -40^{\circ}\text{C}$  to  $+85^{\circ}\text{C}$ ,  $V_{CC} = \text{As Specified}$ ,  $CL = 1$  TTL Gate and  $30\text{ pF}$  (unless otherwise noted)

| Symbol           | Parameter                                 | Voltage | Min | Max | Units        |
|------------------|-------------------------------------------|---------|-----|-----|--------------|
| $t_{LZ}$         | $\overline{\text{HOLD}}$ to Output Low Z  | 4.5–5.5 | 0   | 25  | ns           |
|                  |                                           | 2.5–5.5 | 0   | 50  |              |
|                  |                                           | 1.8–5.5 | 0   | 100 |              |
| $t_{HZ}$         | $\overline{\text{HOLD}}$ to Output High Z | 4.5–5.5 |     | 25  | ns           |
|                  |                                           | 2.5–5.5 |     | 50  |              |
|                  |                                           | 1.8–5.5 |     | 100 |              |
| $t_{DIS}$        | Output Disable Time                       | 4.5–5.5 |     | 25  | ns           |
|                  |                                           | 2.5–5.5 |     | 50  |              |
|                  |                                           | 1.8–5.5 |     | 100 |              |
| $t_{WC}$         | Write Cycle Time                          | 4.5–5.5 |     | 5   | ms           |
|                  |                                           | 2.5–5.5 |     | 5   |              |
|                  |                                           | 1.8–5.5 |     | 5   |              |
| Endurance<br>(1) | 3.3V, $25^{\circ}\text{C}$ , Page Mode    |         | 1M  |     | Write Cycles |

Notes: 1. This parameter is characterized and is not 100% tested. Contact Atmel for further information.

## 2. Serial Interface Description

**MASTER:** The device that generates the serial clock.

**SLAVE:** Because the serial clock pin (SCK) is always an input, the AT25128B/256B always operates as a slave.

**TRANSMITTER/RECEIVER:** The AT25128B/256B has separate pins designated for data transmission (SO) and reception (SI).

**MSB:** The Most Significant Bit (MSB) is the first bit transmitted and received.

**SERIAL-OP CODE:** After the device is selected with  $\overline{\text{CS}}$  going low, the first byte will be received. This byte contains the op-code that defines the operations to be performed.

**INVALID OP-CODE:** If an invalid op-code is received, no data will be shifted into the AT25128B/256B, and the serial output pin (SO) will remain in a high impedance state until the falling edge of  $\overline{\text{CS}}$  is detected again. This will reinitialize the serial communication.

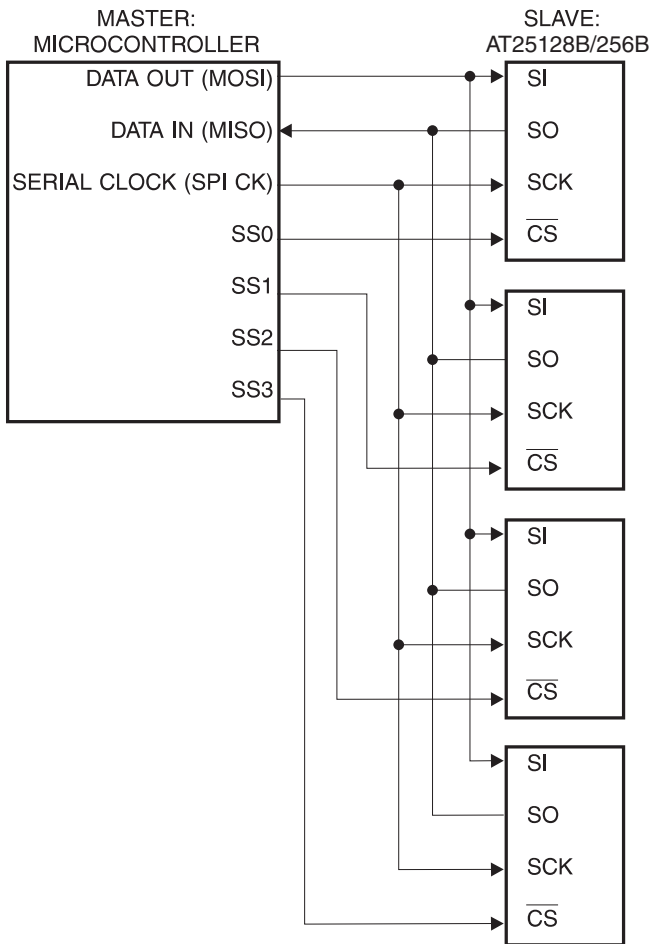
**CHIP SELECT:** The AT25128B/256B is selected when the  $\overline{\text{CS}}$  pin is low. When the device is not selected, data will not be accepted via the SI pin, and the serial output pin (SO) will remain in a high impedance state.

**HOLD:** The  $\overline{\text{HOLD}}$  pin is used in conjunction with the  $\overline{\text{CS}}$  pin to select the AT25128B/256B. When the device is selected and a serial sequence is underway,  $\overline{\text{HOLD}}$  can be used to pause the serial communication with the master device without resetting the serial sequence. To pause, the  $\overline{\text{HOLD}}$  pin must be brought low while the SCK pin is low. To resume serial communication, the  $\overline{\text{HOLD}}$  pin is brought high while the SCK pin is low (SCK may still toggle during  $\overline{\text{HOLD}}$ ). Inputs to the SI pin will be ignored while the SO pin is in the high impedance state.

**WRITE PROTECT:** The write protect pin ( $\overline{\text{WP}}$ ) will allow normal read/write operations when held high. When the  $\overline{\text{WP}}$  pin is brought low and WPEN bit is "1", all write operations to the status register are inhibited.  $\overline{\text{WP}}$  going low while  $\overline{\text{CS}}$  is still low will interrupt a write to the status register. If the internal write cycle has already been initiated,  $\overline{\text{WP}}$  going low will have no effect on any write operation to the status register. The  $\overline{\text{WP}}$  pin function is blocked when the WPEN bit in the status register is "0". This will allow the user to install the AT25128B/256B in a system with the  $\overline{\text{WP}}$  pin tied to ground and still be able to write to the status register. All  $\overline{\text{WP}}$  pin functions are enabled when the WPEN bit is set to "1".



**Figure 2-1. SPI Serial Interface**



## 3. Functional Description

The AT25128B/256B is designed to interface directly with the synchronous serial peripheral interface (SPI) of the 6800 type series of microcontrollers.

The AT25128B/256B utilizes an 8-bit instruction register. The list of instructions and their operation codes are contained in [Table 3-1](#). All instructions, addresses, and data are transferred with the MSB first and start with a high-to-low  $\overline{CS}$  transition.

**Table 3-1.** Instruction Set for the AT25128B/256B

| Instruction Name | Instruction Format | Operation                   |
|------------------|--------------------|-----------------------------|
| WREN             | 0000 X110          | Set Write Enable Latch      |
| WRDI             | 0000 X100          | Reset Write Enable Register |
| RDSR             | 0000 X101          | Read Status Register        |
| WRSR             | 0000 X001          | Write Status Register       |
| READ             | 0000 X011          | Read Data from Memory Array |
| WRITE            | 0000 X 010         | Write Data to Memory Array  |

**WRITE ENABLE (WREN):** The device will power-up in the write disable state when VCC is applied. All programming instructions must therefore be preceded by a Write Enable instruction.

**WRITE DISABLE (WRDI):** To protect the device against inadvertent writes, the Write Disable instruction disables all programming modes. The WRDI instruction is independent of the status of the  $\overline{WP}$  pin.

**READ STATUS REGISTER (RDSR):** The Read Status Register instruction provides access to the status register. The Ready/Busy and Write Enable status of the device can be determined by the RDSR instruction. Similarly, the Block Write Protection bits indicate the extent of protection employed. These bits are set by using the WRSR instruction.

**Table 3-2.** Status Register Format

| Bit 7 | Bit 6 | Bit 5 | Bit 4 | Bit 3 | Bit 2 | Bit 1 | Bit 0            |
|-------|-------|-------|-------|-------|-------|-------|------------------|
| WPEN  | X     | X     | X     | BP1   | BP0   | WEN   | $\overline{RDY}$ |

**Table 3-3.** Read Status Register Bit Definition

| Bit                                                           | Definition                                                                                                               |
|---------------------------------------------------------------|--------------------------------------------------------------------------------------------------------------------------|
| Bit 0 ( $\overline{RDY}$ )                                    | Bit 0 = "0" ( $\overline{RDY}$ ) indicates the device is ready.<br>Bit 0 = "1" indicates the write cycle is in progress. |
| Bit 1 (WEN)                                                   | Bit 1 = 0 indicates the device is not write enabled.<br>Bit 1 = "1" indicates the device is write enabled.               |
| Bit 2 (BP0)                                                   | See <a href="#">Table 2-4 on page 9</a> .                                                                                |
| Bit 3 (BP1)                                                   | See <a href="#">Table 2-4 on page 9</a> .                                                                                |
| Bits 4 – 6 are 0s when device is not an internal write cycle. |                                                                                                                          |
| Bit 7 (WPEN)                                                  | See <a href="#">Table 3-5 on page 8</a>                                                                                  |
| Bits 0 – 7 are "1"s during an internal write cycle.           |                                                                                                                          |



**WRITE STATUS REGISTER (WRSR):** The WRSR instruction allows the user to select one of four levels of protection. The AT25128B/256B is divided into four array segments. Top quarter (1/4), top half (1/2), or all of the memory segments can be protected. Any of the data within any selected segment will therefore be read only. The block write protection levels and corresponding status register control bits are shown in Table 2-4.

The three bits, BP0, BP1, and WPEN are nonvolatile cells that have the same properties and functions as the regular memory cells (e.g. WREN, tWC, RDSR)

**Table 3-4.** Block Write Protect Bits.

| Level   | Status Register Bits |     | Array Addresses Protected |             |
|---------|----------------------|-----|---------------------------|-------------|
|         | BP1                  | BP0 | AT25128B                  | AT25256B    |
| 0       | 0                    | 0   | None                      | None        |
| 1 (1/4) | 0                    | 1   | 3000 – 3FFF               | 6000 – 7FFF |
| 2 (1/2) | 1                    | 0   | 2000 – 3FFF               | 4000 – 7FFF |
| 3 (All) | 1                    | 1   | 0000 – 3FFF               | 0000 – 7FFF |

The WRSR instruction also allows the user to enable or disable the write protect ( $\overline{WP}$ ) pin through the use of the write protect enable (WPEN) bit. Hardware write protection is enabled when the  $\overline{WP}$  pin is low and the WPEN bit is “1”. Hardware write protection is disabled when either the  $\overline{WP}$  pin is high or the WPEN bit is “0”. When the device is hardware write protected, writes to the Status Register, including the Block Protect bits and the WPEN bit, and the blockprotected sections in the memory array are disabled. Writes are only allowed to sections of the memory which are not block-protected.

Note: When the WPEN bit is hardware write protected, it cannot be changed back to “0”, as long as the  $\overline{WP}$  pin is held low.

**Table 3-5.** WPEN Operation

| WPEN | $\overline{WP}$ | WEN | Protected Blocks | Unprotected Blocks | Status Register |
|------|-----------------|-----|------------------|--------------------|-----------------|
| 0    | X               | 0   | Protected        | Protected          | Protected       |
| 0    | X               | 1   | Protected        | Writable           | Writable        |
| 1    | Low             | 0   | Protected        | Protected          | Protected       |
| 1    | Low             | 1   | Protected        | Writable           | Protected       |
| X    | High            | 0   | Protected        | Protected          | Protected       |
| X    | High            | 1   | Protected        | Writable           | Writable        |

**READ SEQUENCE (READ):** Reading the AT25128B/256B via the SO pin requires the following sequence. After the  $\overline{CS}$  line is pulled low to select a device, the Read op-code is transmitted via the SI line followed by the byte address to be read (Table 2-6). Upon completion, any data on the SI line will be ignored. The data (D7 - D0) at the specified address is then shifted out onto the SO line. If only one byte is to be read, the  $\overline{CS}$  line should be driven high after the data comes out. The read sequence can be continued since the byte address is automatically incremented and data will continue to be shifted out. When the highest address is reached, the address counter will roll over to the lowest address allowing the entire memory to be read in one continuous read cycle.



**WRITE SEQUENCE (WRITE):** In order to program the AT25128B/256B, two separate instructions must be executed. First, the device must be write enabled via the Write Enable (WREN) Instruction. Then a Write instruction may be executed. Also, the address of the memory location(s) to be programmed must be outside the protected address field location selected by the Block Write Protection Level. During an internal write cycle, all commands will be ignored except the RDSR instruction.

A Write Instruction requires the following sequence. After the  $\overline{CS}$  line is pulled low to select the device, the Write op-code is transmitted via the SI line followed by the byte address and the data (D7 - D0) to be programmed (see Table 2-6 for the address key). Programming will start after the  $\overline{CS}$  pin is brought high. (The Low-to-High transition of the  $\overline{CS}$  pin must occur during the SCK low time immediately after clocking in the D0 (LSB) data bit.

The Ready/Busy status of the device can be determined by initiating a Read Status Register (RDSR) Instruction. If Bit 0 = 1, the Write cycle is still in progress. If Bit 0 = 0, the Write cycle has ended. Only the Read Status Register instruction is enabled during the Write programming cycle.

The AT25128B/256B is capable of a 64-byte Page Write operation. After each byte of data is received, the six low order address bits are internally incremented by one; the high order bits of the address will remain constant. If more than 64 bytes of data are transmitted, the address counter will roll over and the previously written data will be overwritten. The AT25128B/256B is automatically returned to the write disable state at the completion of a Write cycle.

Note: If the device is not write enabled (WREN), the device will ignore the Write instruction and will return to the standby state, when  $\overline{CS}$  is brought high. A new  $\overline{CS}$  falling edge is required to re-initiate the serial communication.

**Table 3-6.** Address Key

| Address         | AT25128B          | AT25256B       |
|-----------------|-------------------|----------------|
| $A_N$           | $A_{13} - A_0$    | $A_{14} - A_0$ |
| Don't Care Bits | $A_{15} - A_{14}$ | $A_{15}$       |

## 4. Timing Diagram (for SPI Mode 0 (0,0))

Figure 4-1. Synchronous Data Timing

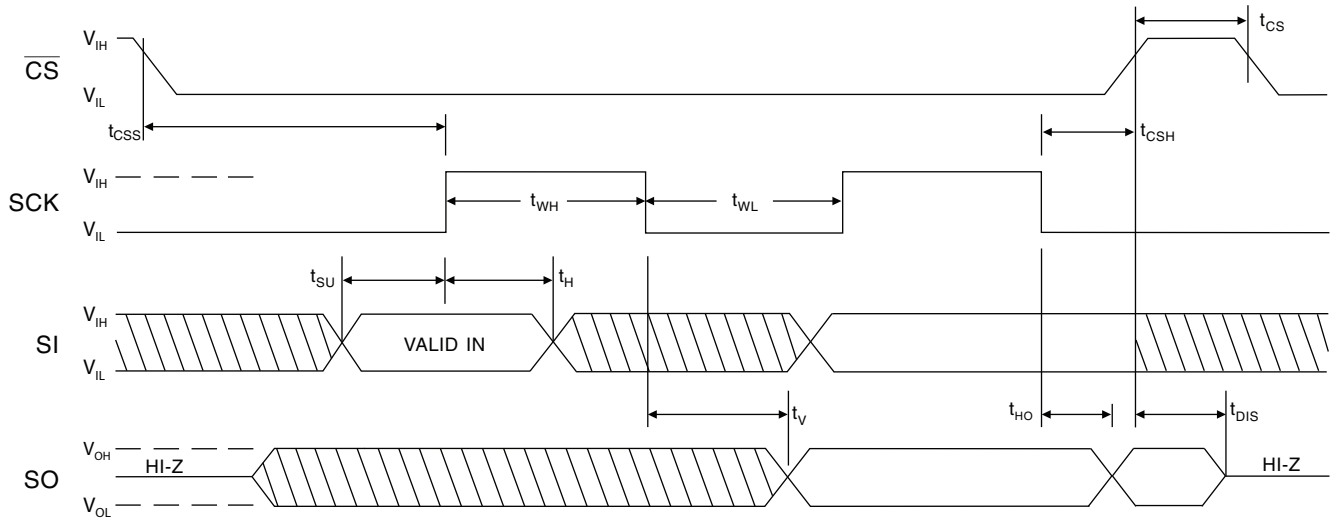


Figure 4-2. WREN Timing

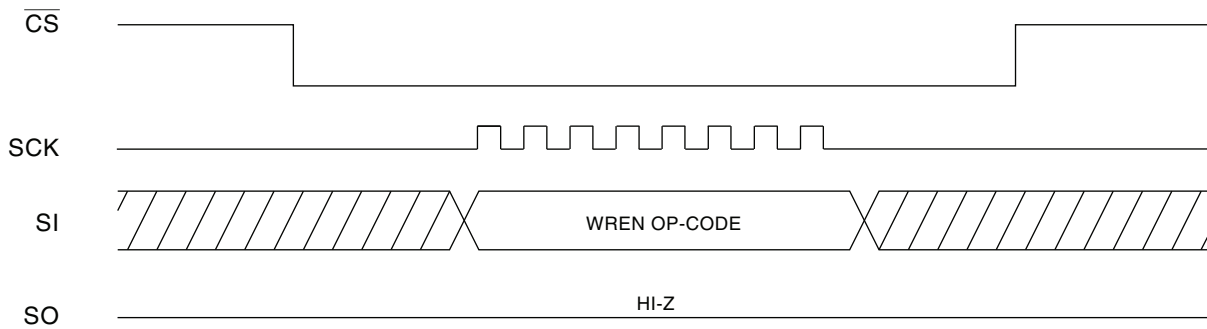


Figure 4-3. WRDI Timing

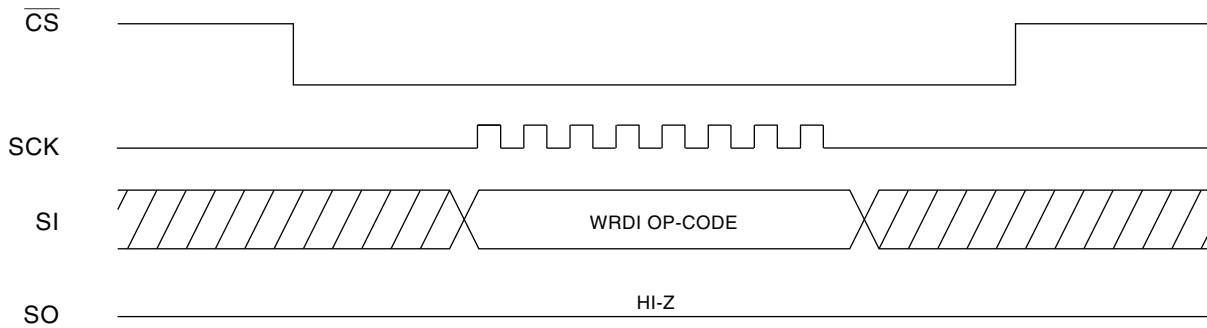


Figure 4-4. RDSR Timing

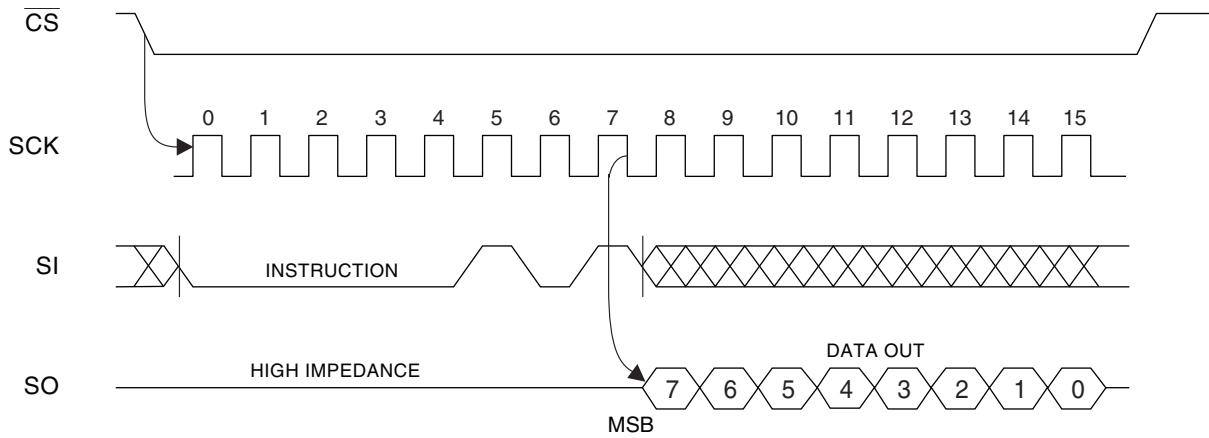


Figure 4-5. WRSR Timing

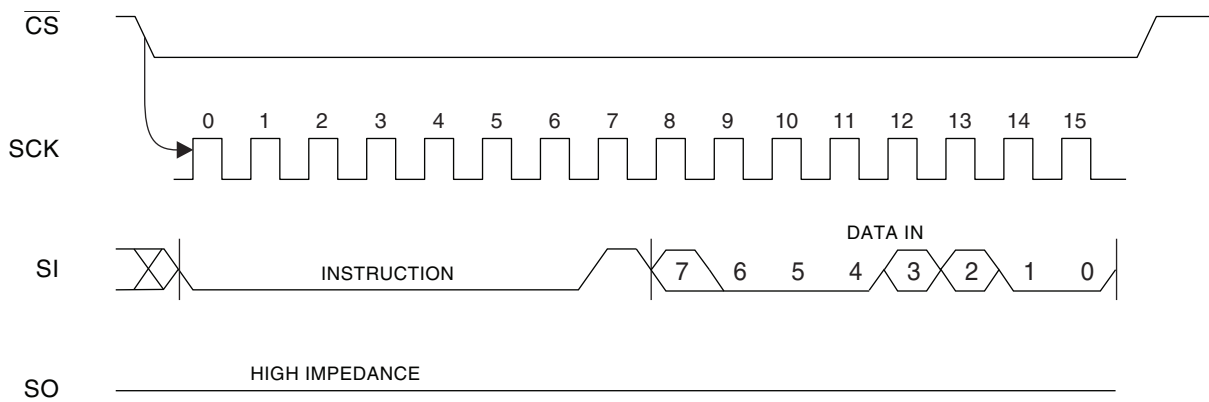
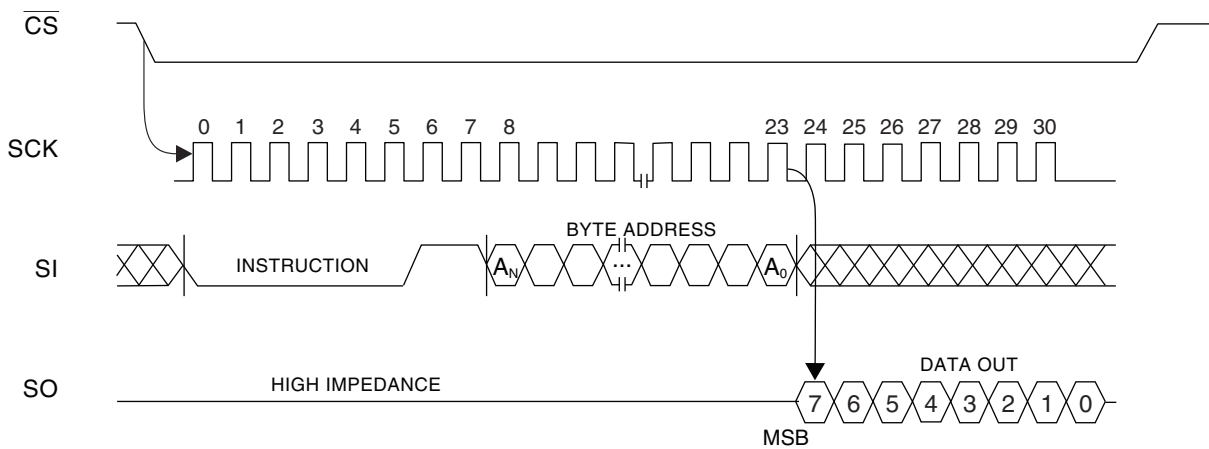
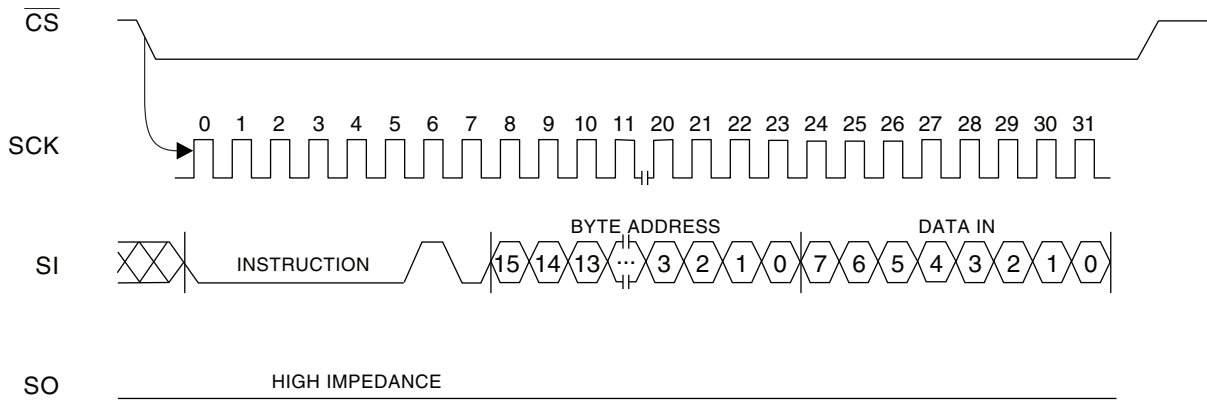


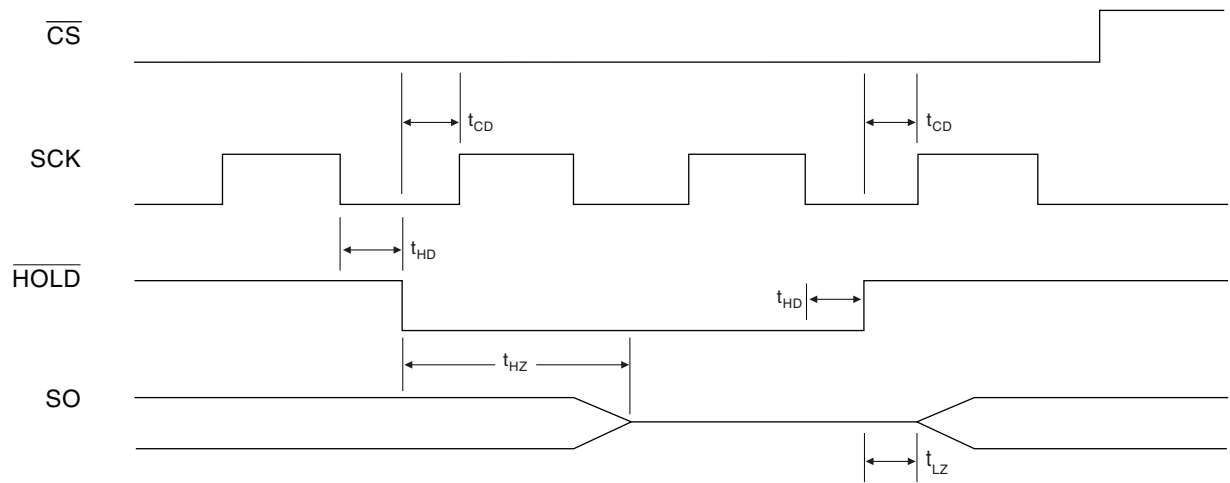
Figure 4-6. READ Timing



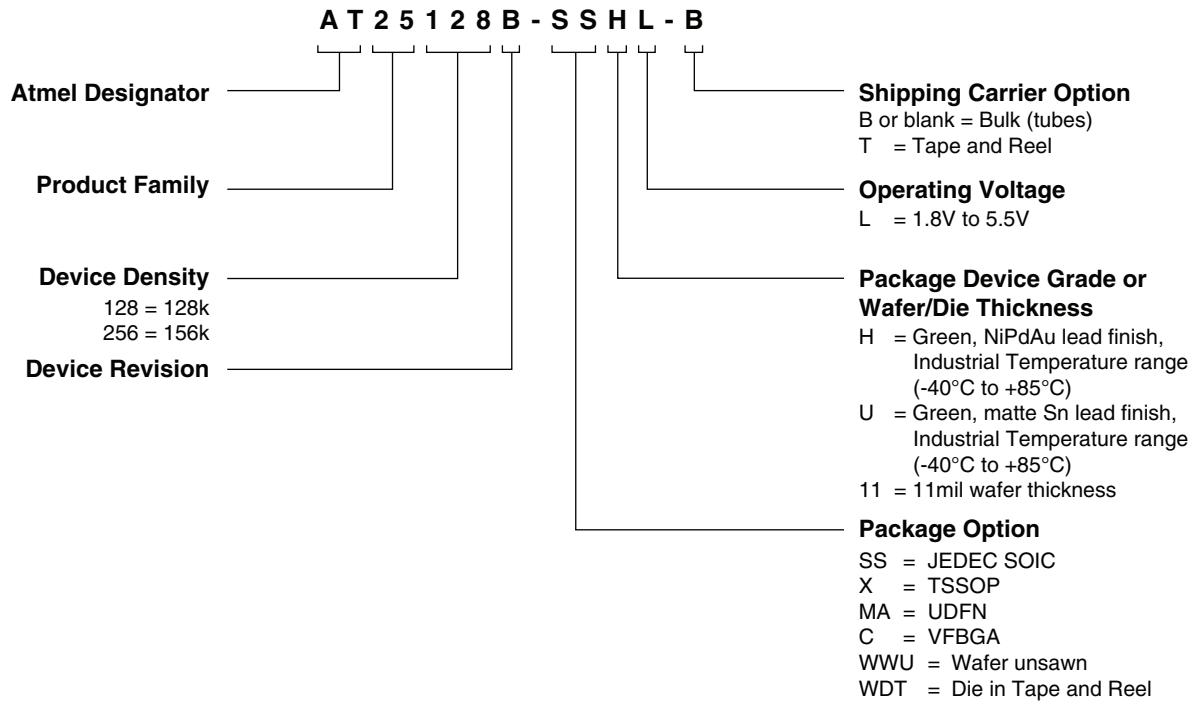
**Figure 4-7. WRITE Timing**



**Figure 4-8.  $\overline{\text{HOLD}}$  Timing**



5. Ordering Code Detail



## 6. Part Markings

### AT25128B-SSHL

|                             |           |                      |
|-----------------------------|-----------|----------------------|
| Top Mark                    | Seal Year |                      |
|                             | Seal Week | @ = Country of Ass'y |
| --- --- --- --- --- --- --- |           | Y = SEAL YEAR        |
| A T M L H Y W W             |           | WW = SEAL WEEK       |
| --- --- --- --- --- --- --- |           | 02 = Week 2          |
| 5 D B L @                   |           | 04 = Week 4          |
| --- --- --- --- --- --- --- |           | :: : :::: :          |
| * LOT NUMBER                |           | :: : :::: ::         |
| --- --- --- --- --- --- --- |           | 50 = Week 50         |
|                             |           | 52 = Week 52         |
|                             |           |                      |
| PIN 1 INDICATOR (DOT)       |           |                      |

### AT25128B-XHL

|                            |  |                      |
|----------------------------|--|----------------------|
| Top Mark                   |  |                      |
| PIN 1 INDICATOR (DOT)      |  | @ = Country of Ass'y |
|                            |  | Y = SEAL YEAR        |
| *  --- --- --- --- --- --- |  | WW = SEAL WEEK       |
| A T H Y W W                |  | 02 = Week 2          |
| --- --- --- --- --- ---    |  | 04 = Week 4          |
| 5 D B L @                  |  | :: : :::: :          |
| --- --- --- --- --- ---    |  | :: : :::: ::         |
| ATMEL LOT NUMBER           |  | 52 = Week 52         |
| --- --- --- --- --- ---    |  |                      |

### AT25128B-MAHL

|                       |  |                                        |
|-----------------------|--|----------------------------------------|
| Top Mark              |  |                                        |
| --- --- ---           |  | Y = YEAR OF ASSEMBLY                   |
| 5 D B                 |  | @ = Country of Ass'y                   |
| --- --- ---           |  | XX= ATMEL LOT NUMBER TO COORESPOND     |
| H L @                 |  | WITH TRACE CODE LOG BOOK.              |
| --- --- ---           |  | (e.g. XX = AA, AB, AC, ... AX, AY, AZ) |
| Y X X                 |  | Y = SEAL YEAR                          |
| --- --- ---           |  | 6: 2006 0: 2010                        |
| *                     |  | 7: 2007 1: 2011                        |
|                       |  | 8: 2008 2: 2012                        |
| PIN 1 INDICATOR (DOT) |  | 9: 2009 3: 2013                        |

## AT25128B-CUL

```

Top Mark
|---|---|---|---|
  5  D  B  U
|---|---|---|---|
  B  Y  M  X  X
|---|---|---|---|
  * <-- PIN 1 INDICATOR

B = Country of Origin
Y = One Digit Year Code
M = One Digit Month Code
XX= TRACE CODE (ATMEL LOT NUMBER TO
COORESPOND WITH TRACE CODE LOG BOOK)
(e.g. XX = AA, AB, AC,... YZ, ZZ)

Y = ONE DIGIT YEAR CODE          M = SEAL MONTH
4: 2004          7: 2007          (USE ALPHA DESIGNATOR A-L)
5: 2005          8: 2008          A = JANUARY
6: 2006          9: 2009          B = FEBRUARY
                                   " " " " " " " " " "
                                   J = OCTOBER
                                   K = NOVEMBER
                                   L = DECEMBER
    
```

## AT25256B-SSHL

```

Top Mark                          Seal Year
|---|---|---|---|---|---|---|---|
  A  T  M  L  H  Y  W  W
|---|---|---|---|---|---|---|---|
  5  E  B      L           @
|---|---|---|---|---|---|---|---|
  *  LOT NUMBER
|---|---|---|---|---|---|---|---|
  |
  PIN 1 INDICATOR (DOT)

@ = Country of Ass'y
Y = SEAL YEAR
WW = SEAL WEEK

6: 2006          0: 2010          02 = Week 2
7: 2007          1: 2011          04 = Week 4
8: 2008          2: 2012          :: : :::: :
9: 2009          3: 2013          :: : :::: :
                                   50 = Week 50
                                   52 = Week 52
    
```

## AT25256B-XHL

```

Top Mark

PIN 1 INDICATOR (DOT)
|
  * |---|---|---|---|---|---|
    A  T  H  Y  W  W
      |---|---|---|---|---|---|
      5  E  B  L           @
|---|---|---|---|---|---|---|
  ATMEL LOT NUMBER
|---|---|---|---|---|---|---|

@ = Country of Ass'y
Y = SEAL YEAR
WW = SEAL WEEK

8: 2008          2: 2012          02 = Week 2
9: 2009          3: 2013          04 = Week 4
0: 2010          4: 2014          :: : :::: :
1: 2011          5: 2015          :: : :::: :
                                   52 = Week 52
    
```



## At25256B-MAHL

Top Mark

```
|---|---|---|
  5   E   B
|---|---|---|
  H   L   @
|---|---|---|
  Y   X   X
|---|---|---|
  *
  |
```

PIN 1 INDICATOR (DOT)

Y = YEAR OF ASSEMBLY  
 @ = Country of Ass'y  
 XX= ATMEL LOT NUMBER TO COORESPOND  
 WITH TRACE CODE LOG BOOK.  
 (e.g. XX = AA, AB, AC,... AX, AY, AZ)  
 Y = SEAL YEAR  
 6: 2006      0: 2010  
 7: 2007      1: 2011  
 8: 2008      2: 2012  
 9: 2009      3: 2013

## AT25256B-CUL

Top Mark

```
|---|---|---|---|
  5   E   B   U
|---|---|---|---|
  B   Y   M   X   X
|---|---|---|---|
  * <-- PIN 1 INDICATOR
```

B = Country of Origin  
 Y = One Digit Year Code  
 M = One Digit Month Code  
 XX= TRACE CODE (ATMEL LOT NUMBER TO  
 COORESPOND WITH TRACE CODE LOG BOOK)  
 (e.g. XX = AA, AB, AC,... YZ, ZZ)

|                         |                            |
|-------------------------|----------------------------|
| Y = ONE DIGIT YEAR CODE | M = SEAL MONTH             |
| 4: 2004      7: 2007    | (USE ALPHA DESIGNATOR A-L) |
| 5: 2005      8: 2008    | A = JANUARY                |
| 6: 2006      9: 2009    | B = FEBRUARY               |
|                         | " " " " " " " " " " " "    |
|                         | J = OCTOBER                |
|                         | K = NOVEMBER               |
|                         | L = DECEMBER               |



## 7. Ordering Codes

### AT25128B Ordering Information

| Ordering Code                                       | Voltage Range | Package  | Operation Range                                                      |
|-----------------------------------------------------|---------------|----------|----------------------------------------------------------------------|
| AT25128B-SSHL-B <sup>(1)</sup> (NiPdAu Lead Finish) | 1.8V to 5.5V  | 8S1      | Lead-free/Halogen-free/<br>Industrial Temperature<br>(-40°C to 85°C) |
| AT25128B-SSHL-T <sup>(2)</sup> (NiPdAu Lead Finish) | 1.8V to 5.5V  | 8S1      |                                                                      |
| AT25128B-XHL-B <sup>(1)</sup> (NiPdAu Lead Finish)  | 1.8V to 5.5V  | 8A2      |                                                                      |
| AT25128B-XHL-T <sup>(2)</sup> (NiPdAu Lead Finish)  | 1.8V to 5.5V  | 8A2      |                                                                      |
| AT25128B-MAHL-T <sup>(2)</sup> (NiPdAu Lead Finish) | 1.8V to 5.5V  | 8MA2     |                                                                      |
| AT25128B-CUL-T <sup>(2)</sup> (SnAgCu Ball Finish)  | 1.8V to 5.5V  | 8U2-1    |                                                                      |
| AT25128B-WWU11L <sup>(3)</sup>                      | 1.8V to 5.5V  | Die Sale | Industrial Temperature<br>(-40°C to 85°C)                            |

- Notes:
1. Bulk delivery in tubes (SOIC and TSSOP 100/tube).
  2. Tape and reel delivery (SOIC 4k/reel. TSSOP, UDFN and VFBGA 5k/reel).
  3. Contact Atmel Sales for Wafer sales.

| Package Type |                                                                           |
|--------------|---------------------------------------------------------------------------|
| <b>8S1</b>   | 8-lead, 0.150" Wide, Plastic Gull Wing Small Outline Package (JEDEC SOIC) |
| <b>8A2</b>   | 8-lead, 0.170" Wide, Thin Shrink Small Outline Package (TSSOP)            |
| <b>8MA2</b>  | 8-lead, 2.00mm x 3.00mm Body, 0.50 mm Pitch, Dual No Lead Package (UDFN)  |
| <b>8U2-1</b> | 8-ball, die Ball Grid Array Package (VFBGA)                               |



## AT25256B Ordering Information

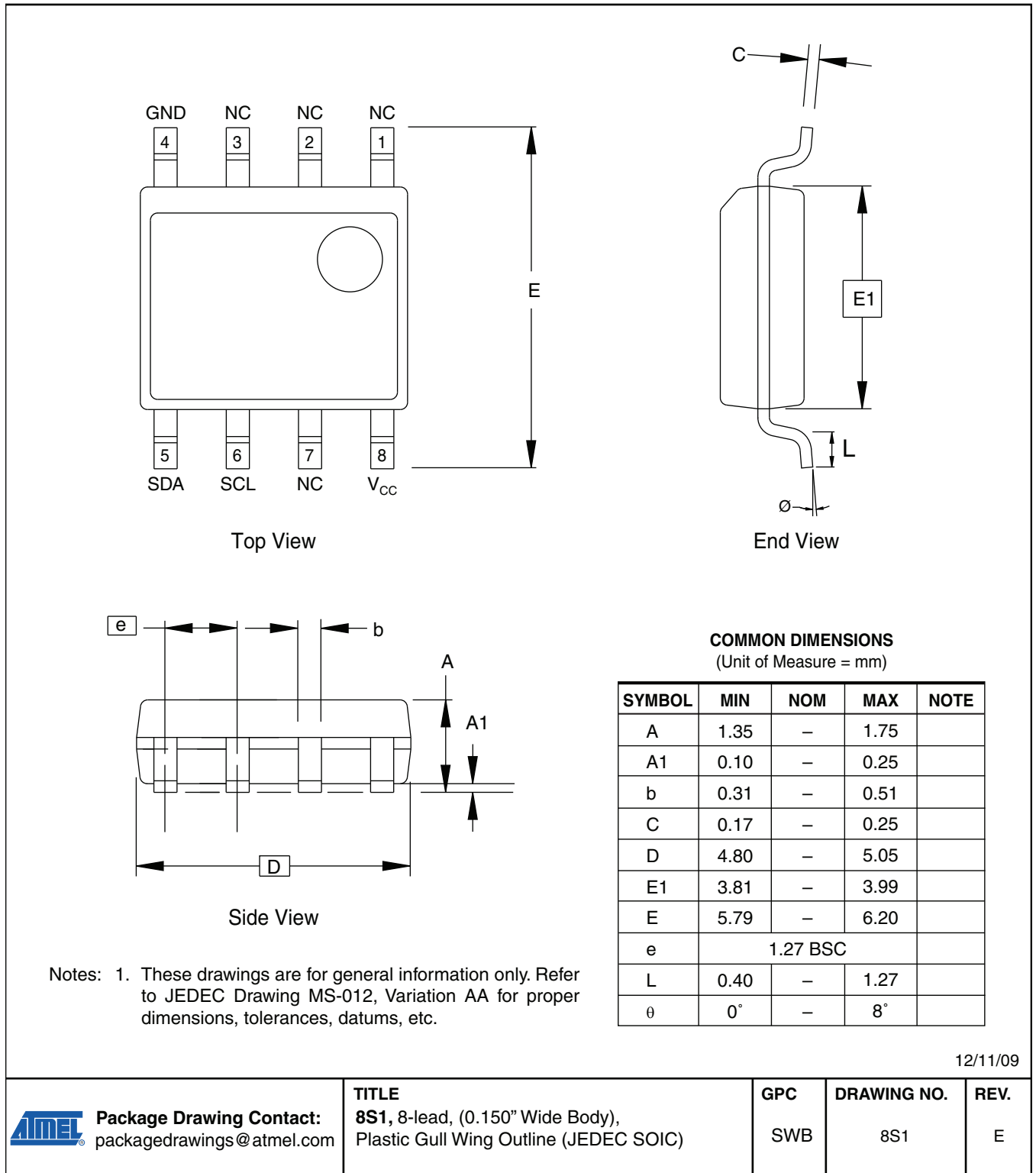
| Ordering Code                                       | Package      | Voltage Range | Operation Range                                                      |
|-----------------------------------------------------|--------------|---------------|----------------------------------------------------------------------|
| AT25256B-SSHL-B <sup>(1)</sup> (NiPdAu Lead Finish) | 1.8V to 5.5V | 8S1           | Lead-free/Halogen-free/<br>Industrial Temperature<br>(-40°C to 85°C) |
| AT25256B-SSHL-T <sup>(2)</sup> (NiPdAu Lead Finish) | 1.8V to 5.5V | 8S1           |                                                                      |
| AT25256B-XHL-B <sup>(1)</sup> (NiPdAu Lead Finish)  | 1.8V to 5.5V | 8A2           |                                                                      |
| AT25256B-XHL-T <sup>(2)</sup> (NiPdAu Lead Finish)  | 1.8V to 5.5V | 8A2           |                                                                      |
| AT25256B-MAHL-T <sup>(2)</sup> (NiPdAu Lead Finish) | 1.8V to 5.5V | 8MA2          |                                                                      |
| AT25256B-CUL-T <sup>(2)</sup> (SnAgCu Ball Finish)  | 1.8V to 5.5V | 8U2-1         |                                                                      |
| AT25256B-WWU11L <sup>(3)</sup>                      | 1.8V to 5.5V | Die Sale      | Industrial Temperature<br>(-40°C to 85°C)                            |

- Notes:
1. Bulk delivery in tubes (SOIC and TSSOP 100/tube).
  2. Tape and reel delivery (SOIC 4k/reel. TSSOP, UDFN and VFBGA 5k/reel).
  3. Contact Atmel Sales for Wafer sales.

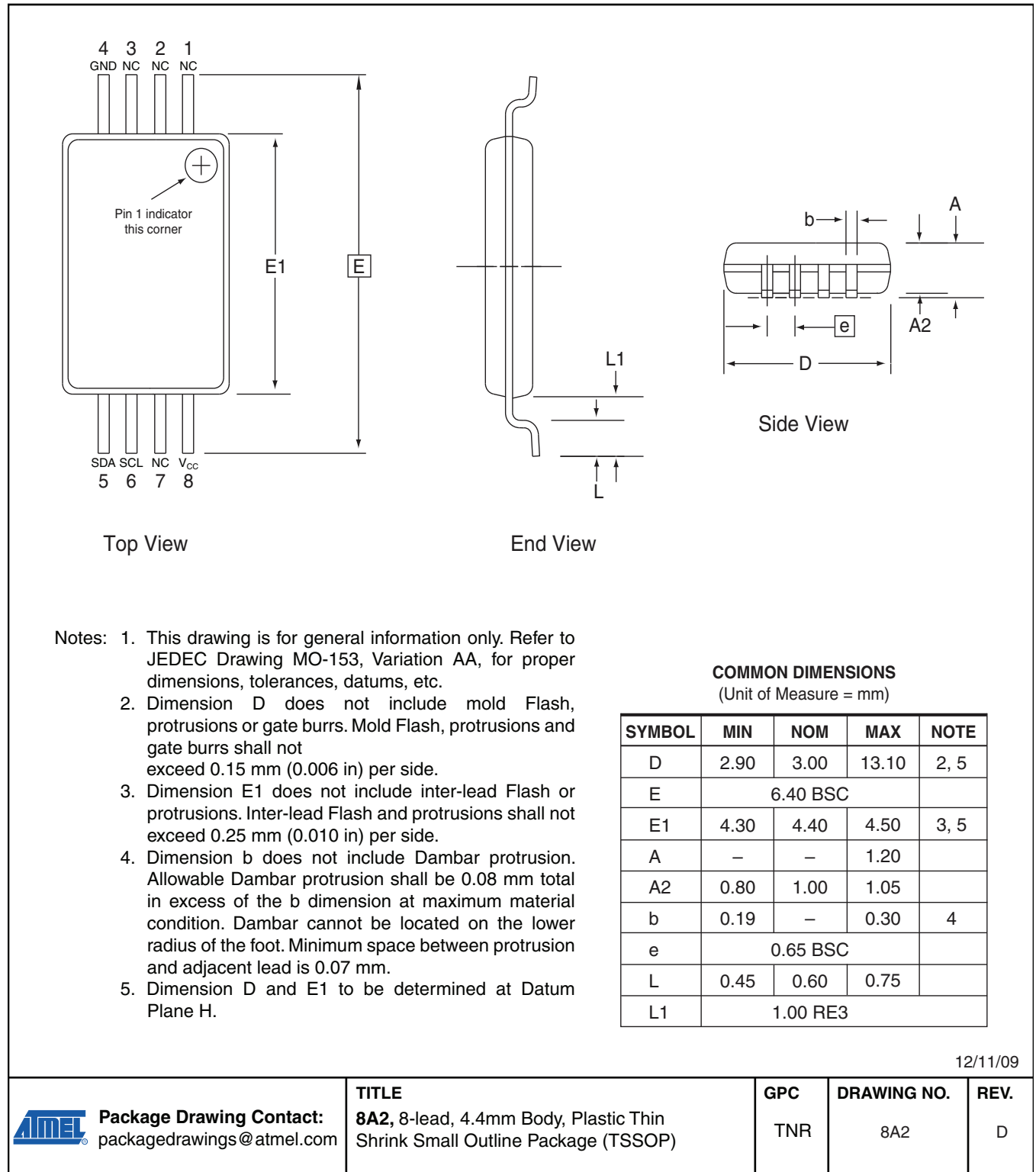
| Package Type |                                                                           |
|--------------|---------------------------------------------------------------------------|
| <b>8S1</b>   | 8-lead, 0.150" Wide, Plastic Gull Wing Small Outline Package (JEDEC SOIC) |
| <b>8A2</b>   | 8-lead, 0.170" Wide, Thin Shrink Small Outline Package (TSSOP)            |
| <b>8MA2</b>  | 8-lead, 2.00mm x 3.00mm Body, 0.50 mm Pitch, Dual No Lead Package (UDFN)  |
| <b>8U2-1</b> | 8-ball, die Ball Grid Array Package (VFBGA)                               |

8. Packaging Information

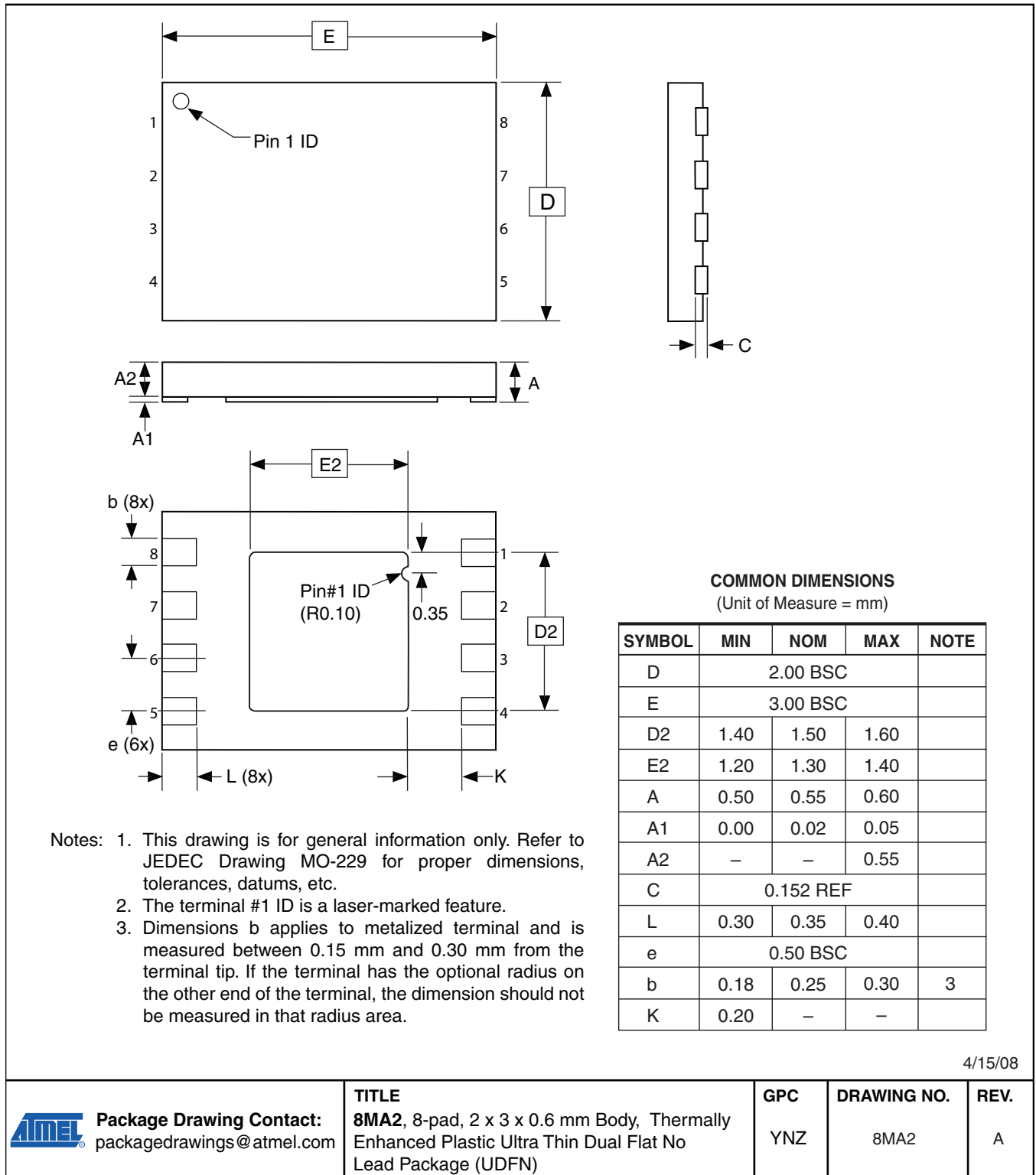
8S1 – JEDEC SOIC



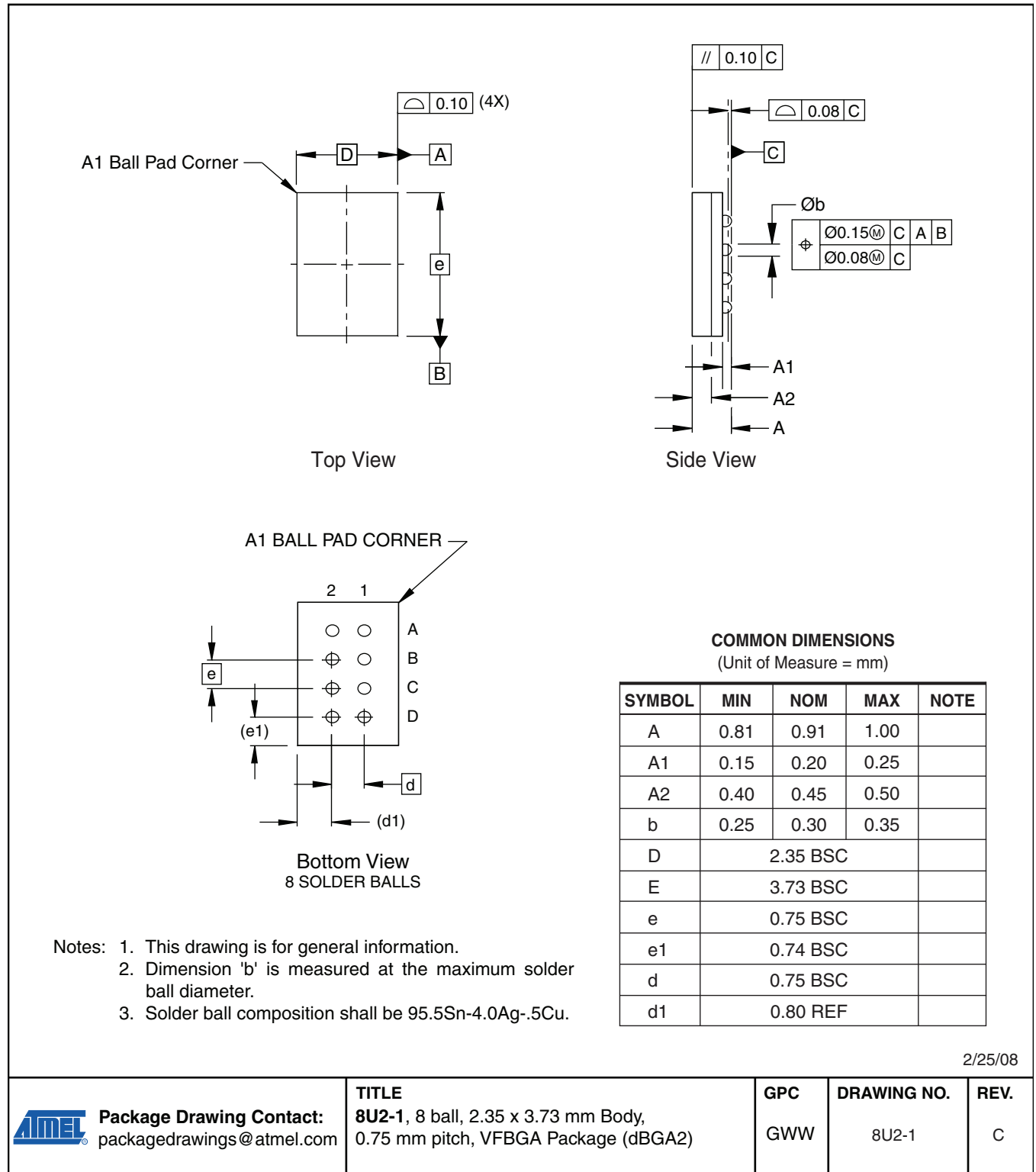
## 8A2 – TSSOP



8MA2 - UDFN



## 8U2-1 – VFBGA



## 9. Revision History

| Doc. Rev. | Date    | Comments                                                                           |
|-----------|---------|------------------------------------------------------------------------------------|
| 8698B     | 03/2010 | Update Catalog Numbering Scheme.<br>Update Ordering Information and package types. |
| 8698A     | 12/2009 | Initial document release.                                                          |



## Headquarters

---

**Atmel Corporation**  
2325 Orchard Parkway  
San Jose, CA 95131  
USA  
Tel: 1(408) 441-0311  
Fax: 1(408) 487-2600

## International

---

**Atmel Asia**  
Unit 1-5 & 16, 19/F  
BEA Tower, Millennium City 5  
418 Kwun Tong Road  
Kwun Tong, Kowloon  
Hong Kong  
Tel: (852) 2245-6100  
Fax: (852) 2722-1369

**Atmel Europe**  
Le Krebs  
8, Rue Jean-Pierre Timbaud  
BP 309  
78054 Saint-Quentin-en-  
Yvelines Cedex  
France  
Tel: (33) 1-30-60-70-00  
Fax: (33) 1-30-60-71-11

**Atmel Japan**  
9F, Tonetsu Shinkawa Bldg.  
1-24-8 Shinkawa  
Chuo-ku, Tokyo 104-0033  
Japan  
Tel: (81) 3-3523-3551  
Fax: (81) 3-3523-7581

## Product Contact

---

**Web Site**  
[www.atmel.com](http://www.atmel.com)

**Technical Support**  
[s\\_eeeprom@atmel.com](mailto:s_eeeprom@atmel.com)

**Sales Contact**  
[www.atmel.com/contacts](http://www.atmel.com/contacts)

**Literature Requests**  
[www.atmel.com/literature](http://www.atmel.com/literature)

---

**Disclaimer:** The information in this document is provided in connection with Atmel products. No license, express or implied, by estoppel or otherwise, to any intellectual property right is granted by this document or in connection with the sale of Atmel products. **EXCEPT AS SET FORTH IN ATMEL'S TERMS AND CONDITIONS OF SALE LOCATED ON ATMEL'S WEB SITE, ATMEL ASSUMES NO LIABILITY WHATSOEVER AND DISCLAIMS ANY EXPRESS, IMPLIED OR STATUTORY WARRANTY RELATING TO ITS PRODUCTS INCLUDING, BUT NOT LIMITED TO, THE IMPLIED WARRANTY OF MERCHANTABILITY, FITNESS FOR A PARTICULAR PURPOSE, OR NON-INFRINGEMENT. IN NO EVENT SHALL ATMEL BE LIABLE FOR ANY DIRECT, INDIRECT, CONSEQUENTIAL, PUNITIVE, SPECIAL OR INCIDENTAL DAMAGES (INCLUDING, WITHOUT LIMITATION, DAMAGES FOR LOSS OF PROFITS, BUSINESS INTERRUPTION, OR LOSS OF INFORMATION) ARISING OUT OF THE USE OR INABILITY TO USE THIS DOCUMENT, EVEN IF ATMEL HAS BEEN ADVISED OF THE POSSIBILITY OF SUCH DAMAGES.** Atmel makes no representations or warranties with respect to the accuracy or completeness of the contents of this document and reserves the right to make changes to specifications and product descriptions at any time without notice. Atmel does not make any commitment to update the information contained herein. Unless specifically provided otherwise, Atmel products are not suitable for, and shall not be used in, automotive applications. Atmel's products are not intended, authorized, or warranted for use as components in applications intended to support or sustain life.

© 2010 Atmel Corporation. All rights reserved. Atmel®, Atmel logo and combinations thereof, and others, are registered trademarks or trademarks of Atmel Corporation or its subsidiaries. Other terms and product names may be trademarks of others.