

SHAFT COUPLERS

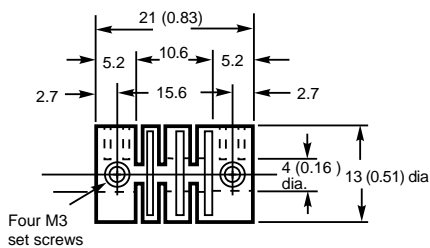
All shaft couplers are made of glass-filled polybutadiene terephthalate (PBT).

Applicable encoder models	Status	Part number
E6A2	Replacement part	E69-C04B
E6B2, E6C2-C, E6D, E6CP, E6G E6CP-AG5C-C	Replacement part Accessory, order separately	E69-C06B, E69-C08B E69-C06M
E6F-AB3C E6F-AB3C-C, E6F-AG5C-C	Replacement part Accessory, order separately	E69-C10B
E6B2, E6C2-C, E6D, E6CP, E6G	Accessory, order separately	E69-C68B
E6CP-AG5C-C	Accessory, order separately	E69-C610B

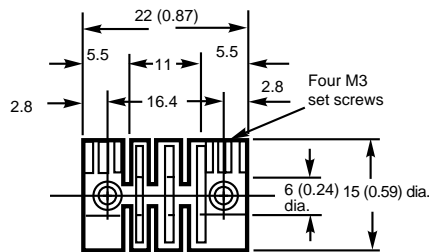
Dimensions

Unit: mm (inch)

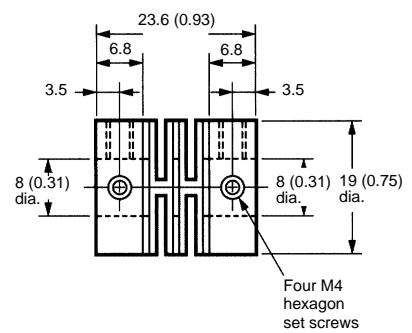
E69-C04B



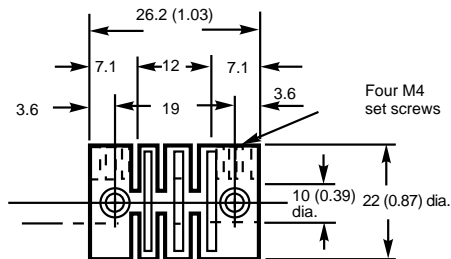
E69-C06B



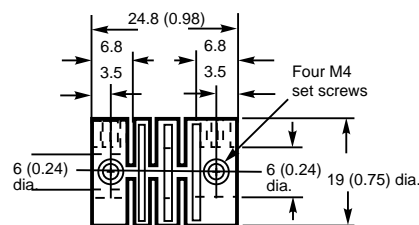
E69-C08B



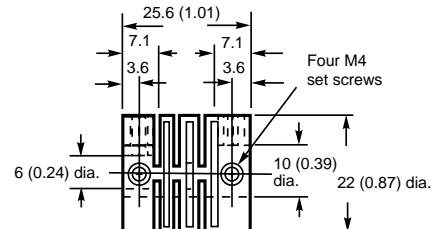
E69-C10B



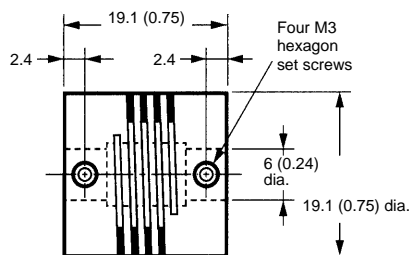
E69-C68B



E69-C610B



E69-C06M

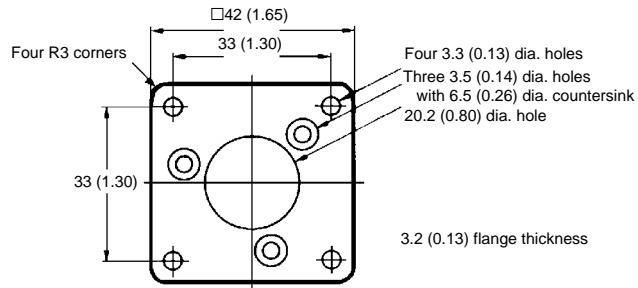


■ MOUNTING FLANGES AND BRACKETS

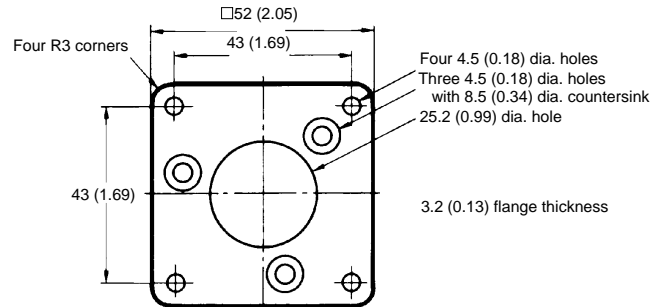
Mounting brackets for rotary encoders are supplied three per package.

Encoder model	Mounting flange part number	Mounting bracket part number
E6B2	E69-FBA	E69-FBA-02
E6C	E69-FCA	E69-FCA-02

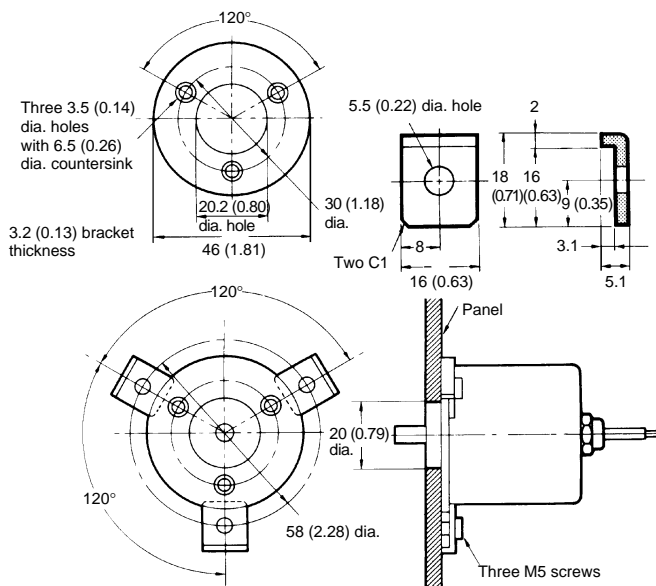
E69-FBA



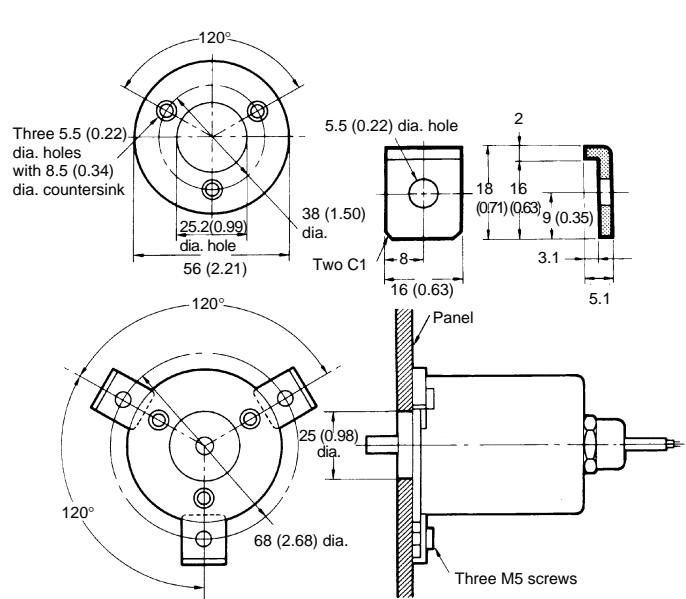
E69-FCA



E69-FBA-02



E69-FCA-02



OMRON

OMRON ELECTRONICS LLC

One East Commerce Drive
Schaumburg, IL 60173

1-800-55-OMRON

OMRON ON-LINE

Global - <http://www.omron.com>
USA - <http://www.omron.com/oei>
Canada - <http://www.omron.com/oci>

OMRON CANADA, INC.

885 Milner Avenue
Scarborough, Ontario M1B 5V8
416-286-6465