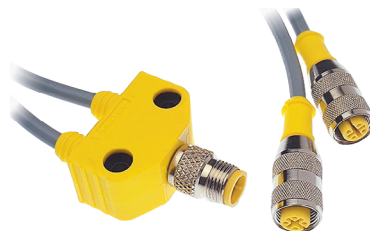


TURCK

Industrial Connectivity Products

euromast® 2-Branch Splitters, Standard and LED Wiring

- Combine Two Sensors into One Cable
- For Use on Cylinders and Other Dual-Input Applications
- Tough Polyurethane Construction
- For 3-wire DC Sensors or Switches

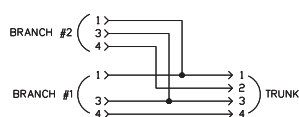


Application	Specifications	Wiring Diagram	Housing	Part Number
Combine 2 sensors into 1 cable	250 V 4.0 A	Standard		VB2-FSM 4.4/2FKM 4
Combine 2 sensors into 1 cable	250 V 4.0 A RS 4.4T = Grey PVC 5.2 mm OD, 4x22 AWG	Standard		VB2-RS 4.4T-*/2FKM 4
Combine 2 sensors into 1 cable	250 V 4.0 A Grey PVC, 5.2 mm OD, RK 4T - 3x20 AWG RS 4.4T - 4x22 AWG	Standard		VB2-FSM 4.4/2RK 4T-*/*
Combine 2 sensors into 1 cable	250 V 4.0 A Grey PVC, 5.2 mm OD, RK 4T - 3x20 AWG RS 4.4T - 4x22 AWG	Standard		VB2-RS 4.4T-*/2RK 4T-*/*

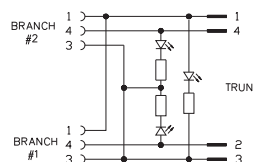
Application	Specifications	Wiring Diagram	Housing	Part Number
Combine 2 sensors into 1 cable; 3 LEDs, 2 signals, PNP, 1 power	10-30 VDC 4.0 A	LED		VB2-PX3-FSM 4.4/2FKM 4
Combine 2 sensors into 1 cable; 3 LEDs, 2 signals, PNP, 1 power	10-30 VDC 4.0 A RS 4.4T = Grey PVC 5.2 mm OD, 4x22 AWG	LED		VB2-PX3-RS 4.4T-*/2FKM 4
Combine 2 sensors into 1 cable; 3 LEDs, 2 signals, PNP, 1 power	10-30 VDC 4.0 A Grey PVC 5.2 mm OD, RK 4T - 3x20 AWG	LED		VB2-PX3-FSM 4.4/2RK 4T-*/*
Combine 2 sensors into 1 cable; 3 LEDs, 2 signals, PNP, 1 power	10-30 VDC 4.0 A Grey PVC, 5.2 mm OD, RK 4T - 3x20 AWG RS 4.4T - 4x22 AWG	LED		VB2-PX3-RS 4.4T-*/2RK 4T-*/*

* Length in meters.

Standard



LED



Junction Body:	Oil resistant yellow polyurethane.
Connector:	Oil resistant polyurethane body material, Nylon or PUR contact carrier, spacings to VDE 0110 Group C.
Contacts:	Gold plated brass.
Coupling Nuts:	Nickel plated brass.
Cable:	See table.
Temperature:	-40°C to +105°C (-40°F to +221°F)
Protection:	NEMA 1,3,4,6P and IEC IP 68.

Cable Length: Trunk - nominal 1 meter. Branches - nominal 0.3 meters. Other lengths available by request - consult factory.

Cable Options: Standard cable jacket - grey PVC. PUR and other jackets available by request - consult factory.

Connector Options: (for legs with cable)

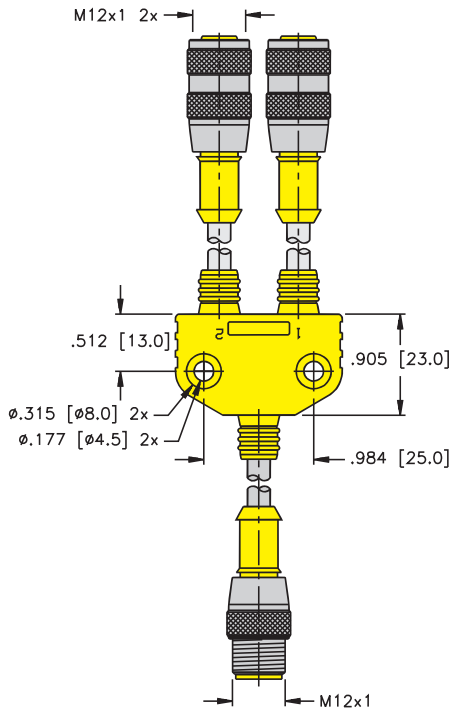
Stainless steel coupling nut add "V" to part number (RS to RSV, RK to RKV).

Nylon coupling nut add "K" to part number (RS to RSK, RK to RKK).

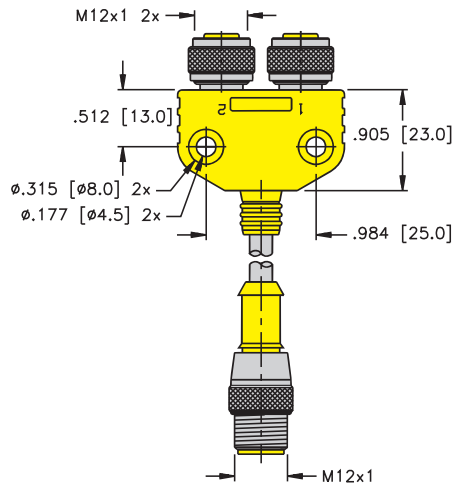
Right angle connectors, change part number (RS to WS, RK to WK).

Notes: Mounting hole accepts #8 screw.

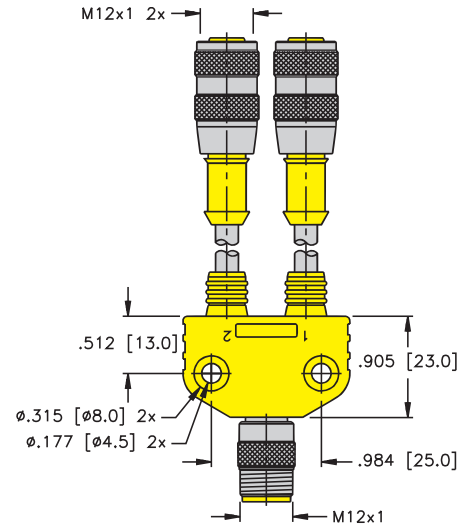
VB2-RS 4.4T-*/2RK 4T-*/*
VB2-PX3-RS 4.4T/2RK 4T-*/*



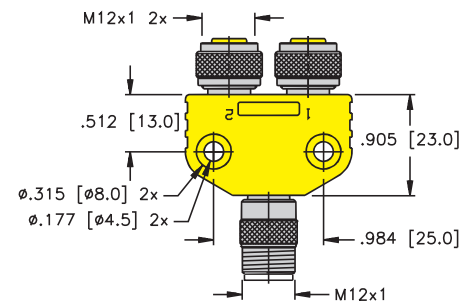
VB2-RS 4.4T-*/2FKM 4
VB2-PX3-RS 4.4T-*/2FKM 4



VB2-FSM 4.4/2RK 4T-*/*
VB2-PX3-FSM 4.4/2RK 4T-*/*



VB2-FSM 4.4/2FKM 4
VB2-PX3-FSM 4.4/2FKM 4



Pinouts

Female	Male
4-Pin	4-Pin