

302C9202

BRACKETS AND ACCESSORIES

BRACKET SELECTION

1. DETERMINE CASE STYLE AND CASE HEIGHT OF CAPACITOR.
2. SELECT REQUIRED BRACKET FROM TABLES BELOW AND ON THE FOLLOWING PAGES.

CASE STYLES A, B, C, D & J

FOOTED BRACKETS

Case Styles A, B, C, D, J, P, S, T		
Case Height		Bracket Part No.
Inches	MM	
2.12	53.8	302C920P210
2.38	60.5	302C920P208
2.62	66.5	302C920P200
2.88	73.2	302C920P113
3.12	79.2	302C920P179
3.50	88.9	302C920P119
3.88	98.6	302C920P115
4.25	108.0	302C920P122
4.50	114.3	302C920P211
4.75	120.7	302C920P116
5.25	133.4	302C920P153
5.50	139.7	302C920P233
5.75	146.1	302C920P209
6.00	152.4	302C920P212
6.12	155.4	302C920P212
6.25	158.8	302C920P152
6.75	171.5	302C920P213
7.25	184.2	302C920P214
7.50	190.5	302C920P185
8.00	203.2	302C920P186
9.00	228.6	302C920P215
9.50	241.3	302C920P216

Table 24

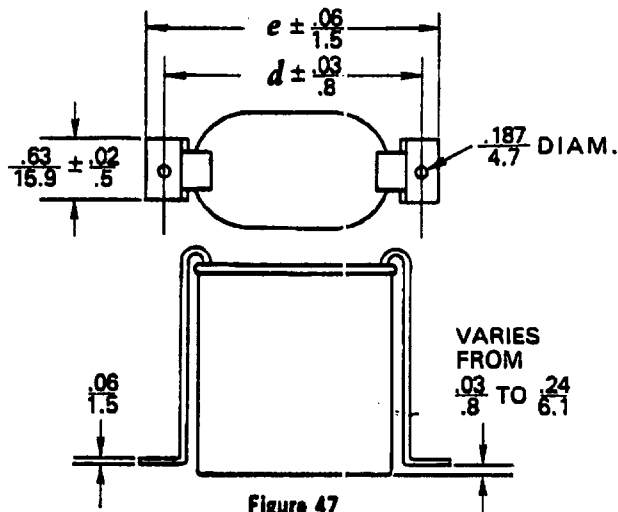


Figure 47

Case Style	Mounting Dimensions			
	d		e	
	Ins	MM	Ins	MM
A, J	2.56	65.0	3.00	76.2
B	3.13	79.5	3.56	90.4
C	3.38	85.9	3.81	96.8
D	4.13	104.9	4.56	115.8

Table 25

WRAP AROUND BRACKETS

Case Style	Bracket Part No.
A, J	K9827065P21
B	K9827065P31
C	614A301P61
D	614A301P51

Table 26

Case Style	Mounting Dimensions							
	d		e		g		t	
	Ins	MM	Ins	MM	Ins	MM	Ins	MM
A, J	2.56	65.0	2.94	74.7	.50	12.7	.02	.56
B	3.06	77.7	3.50	88.9	.63	16.0	.02	.56
C	3.31	84.1	3.81	96.8	.75	19.1	.03	.81
D	4.06	103.1	4.56	115.8	.75	19.1	.03	.81

Table 27

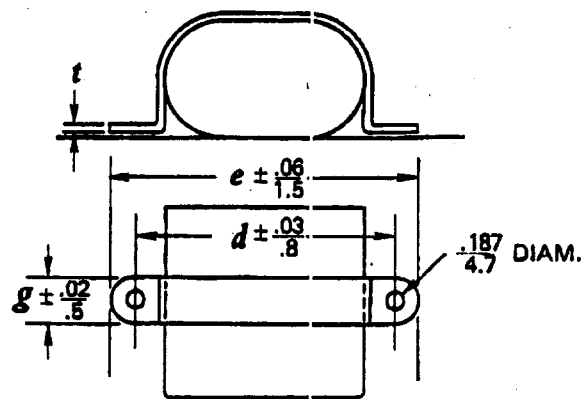


Figure 48