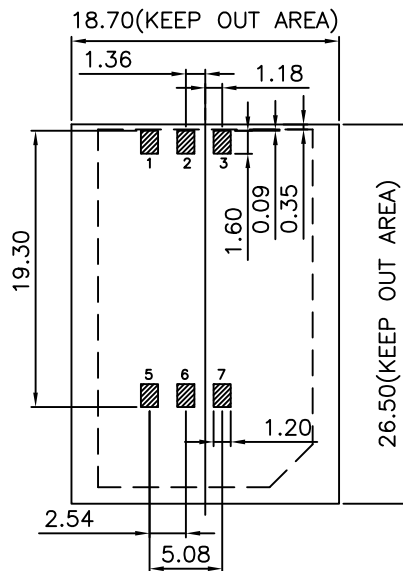
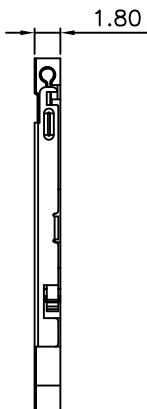
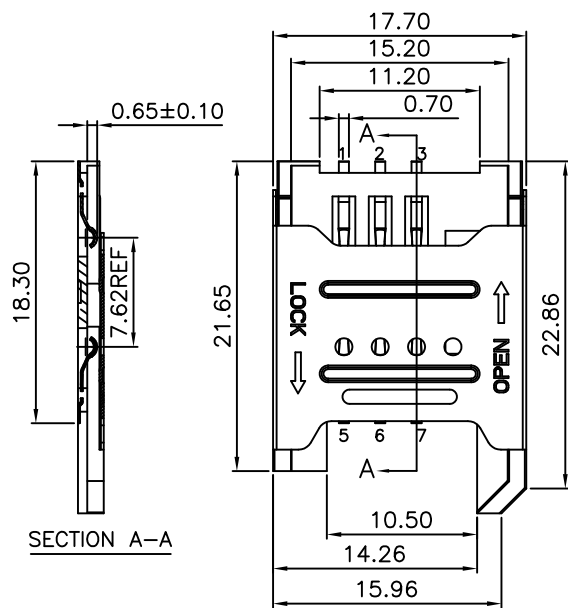


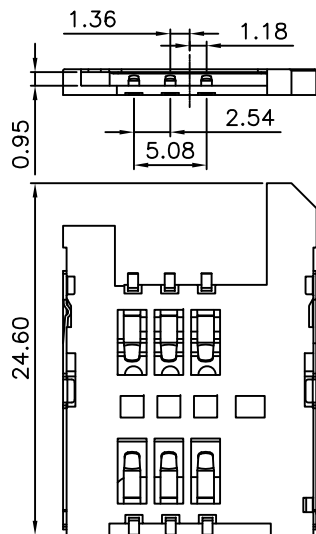
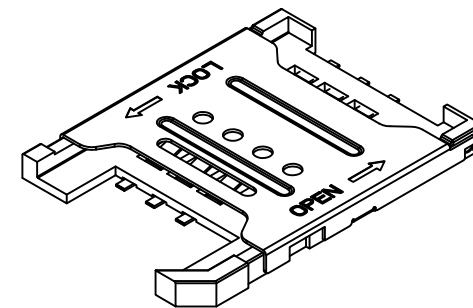
Global Connector Technology Ltd. - SIM5051 : SIM Card Connector, Hinged Type, 6 Pin, SMT, 1.8mm Profile



- C1----->VCC
- C2----->RST
- C3----->CLK
- C5----->GND
- C6----->Vpp
- C7----->I/O

RECOMMENDED PCB LAYOUT
 GENERAL TOLERANCE ±0.05
 AS VIEWED FROM COMPONENT SIDE

- Solder Area
- Component Outline



Ordering Grid
SIM5051 - 6 - 0 - 18 - 00 - A REQUEST SAMPLES AND QUOTATION

No. of Contacts: 6
 0 = Without Switch
 00 = Without Post
 A = Tape & Reel (1K per Reel)

Specification 规格:

Material 物料规格:

Plastic Housing 塑胶外壳: Hi-Temp Thermoplastic UL94V-0, Black 高温塑胶, 黑色
 Contact Terminal 接触端子: Phosphor Bronze 磷青铜
 Metallic Shell 金属外壳: Stainless Steel - SUS304

Plating 电镀规格:

Contact Terminal plating 接触端子部分电镀:
 Under-plating 底层电镀: 50µ" Nickel 镀镍
 Contact Area 接触部分: 3µ" Gold 镀金
 Soldering Area 焊接部分: 100µ" Tin 镀锡

Electrical 电气规格:

Voltage Rating 电压额定值: 50 V AC (R.M.S.) Max.
 Current Rating 电流额定值: 1A AC/DC
 Operating Temperature 工作温度: -40°C to +85°C
 Contact Resistance 接触电阻值: 50mΩ typical, 100mΩ Max.
 Insulating Resistance 绝缘电阻值: 1000MΩ Min. (Apply 施加 500V DC)
 Dielectric Withstanding Voltage 耐电压: Withstand 500 VAC for 1 minute 能承受 500 VAC 1分钟

Mechanical 机械性规格:

Durability 耐久性: 5,000 cycles 5,000 次插拨

By	SA	ASE	SA
DETAIL	DRAWING RELEASE	AMMENDMENT TO SPEC	ECN: SIM5051-001
REV DATE	A 04/10/09	B 13/11/10	C 29/12/10



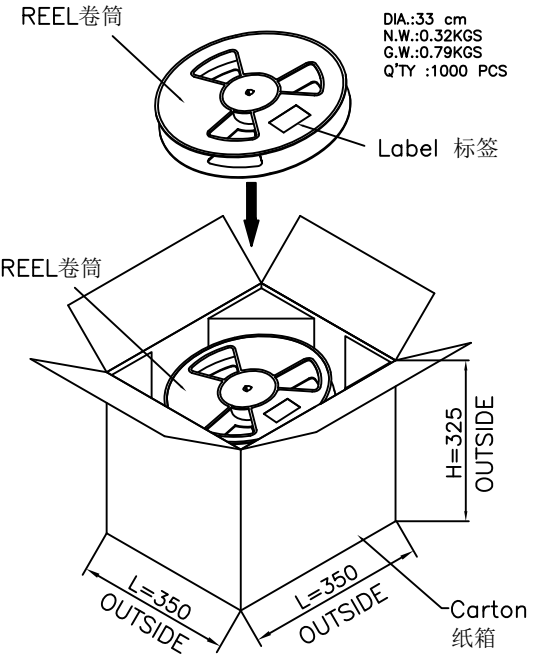
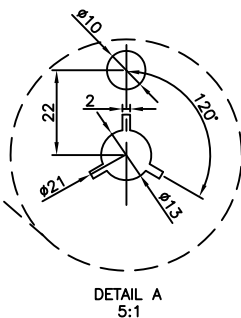
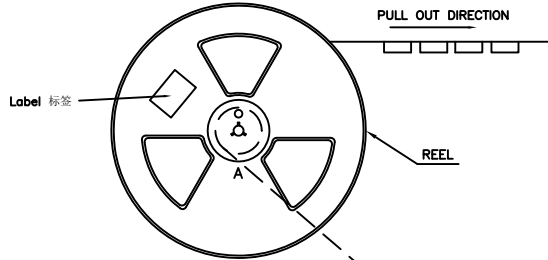
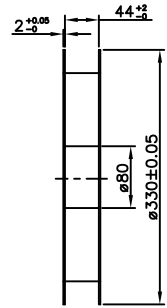
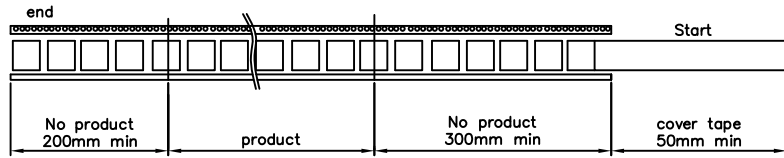
Tolerances (Except as noted)	Part Number:-	Date:-
Dimensions in mm	SIM5051	04 OCT 09
X.X ± 0.25 X.X* ± 1°	Description:-	
X.XX ± 0.15 X.X* ± 0.5°	SIM CARD CONNECTOR, HINGED TYPE, 6 PIN, SMT, 1.8MM PROFILE	
X.XXX ± 0.050 X.XX* ± 0.25°	© THIS DRAWING IS CONFIDENTIAL AND MUST NOT BE COPIED OR DISCLOSED WITHOUT WRITTEN CONSENT	
Third Angle Projection	Scale NTS	Revision C

GCT

www.globalconnectortechology.com

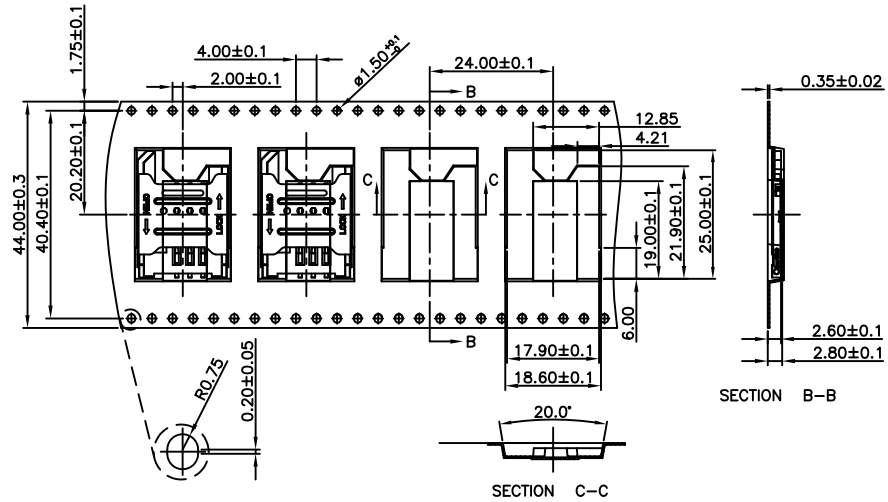
Material See Note	Drawn by SA	E & OE	Sheet No. 1/2
-------------------	-------------	--------	---------------

Global Connector Technology Ltd. - SIM5051 : SIM Card Connector, Hinged Type, 6 Pin, SMT, 1.8mm Profile



DIA.:33 cm
N.W.:0.32KGS
G.W.:0.79KGS
Q'TY :1000 PCS

N.W: 7.9KG
G.W: 9.0KG
Q'ty: 6000Pcs per carton
(6 reels, 1000pieces per reel)



Notes注意:

1. Each cavity will hold 1pc. Placement methods are shown in the diagrams. 每穴放置1pc产品, 放置方式如图所示
2. After the packing machine filled the REEL, tangle the REEL one more loop with protection tape, stick adhesive tape on the four quadrants of the REEL, to avoid out-spreading. Stick 1pc. of label on each REEL. 包装机包好后,再缠上一圈电周波,在REEL的四个登峰造极点贴上胶带,以防止REEL张开,每REEL贴1PC标签
3. Method of Packing is Hot-Melting. 包装方式是热熔式
4. The peel-off force between the COVER TAPE & CARRY TAPE is: 0.1N-0.7N (variation within 0.3N). Peel-off angle:165-175 degree; Speed of peel-off: 250mm-300mm/min. COVER TAPE与CARRY TAPE 剥离力:0.1N-0.7N (跳动量在0.3N以内)剥离角度:165-175度; 剥离速度: 250mm-300mm/分钟

By	SA	ASE	SA
DETAIL	DRAWING RELEASE	AMMENDMENT TO SPEC	ECN: SIM5051-001
REV DATE	A 04/10/09	B 13/11/10	C 29/12/10



Tolerances (Except as noted)	Part Number:-	Date:-
Dimensions in mm	SIM5051	04 OCT 09
	Description:-	
	SIM CARD CONNECTOR, HINGED TYPE, 6 PIN, SMT, 1.8MM PROFILE	
	© THIS DRAWING IS CONFIDENTIAL AND MUST NOT BE COPIED OR DISCLOSED WITHOUT WRITTEN CONSENT	

GCT

www.globalconnectortechology.com					
Scale NTS	Revision C	Material See Note	Drawn by SA	E & OE	Sheet No. 2/2