

Tous droits strictement réservés. Reproduction ou communication à des tiers Interdite sous quelque forme que ce soit sans autorisation écrite du propriétaire. Propriété de c FCI. Droits de reproduction FCI.

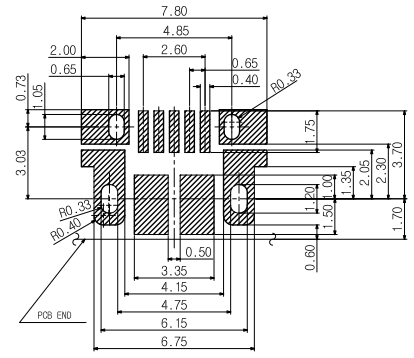
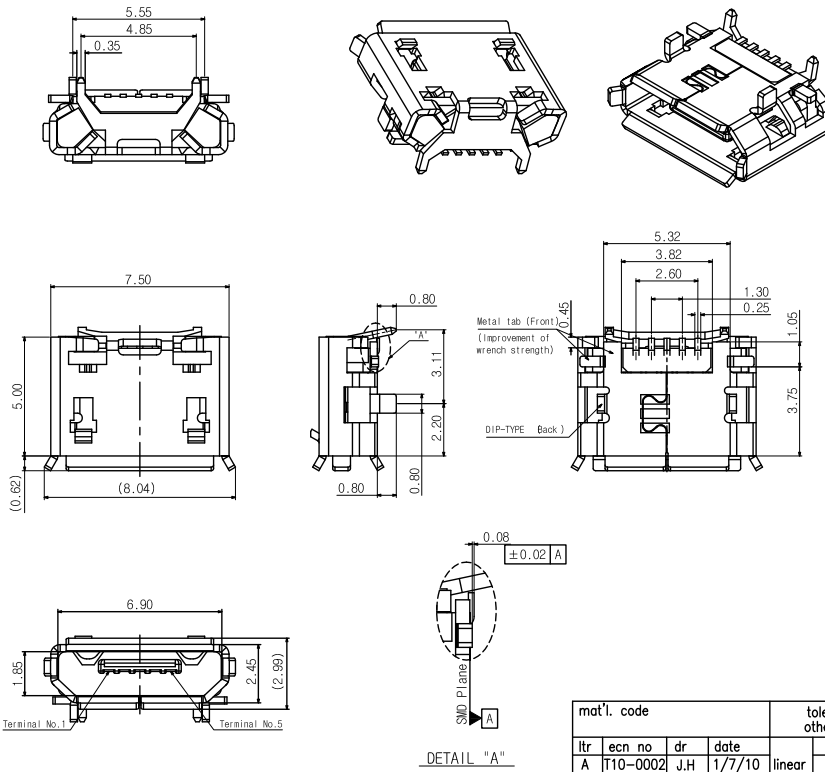


All rights strictly reserved. Reproduction or issue to third parties in any form whatever is not permitted without written authority from the proprietor. Property of FCI. Copyright FCI.

1 | 2

3

4



RECOMMENDED PCB Pattern  
(Tolerance : ± 0.05)

-NOTE-

1. This product is enable to mount both USB-IF Recommended PCB pattern and NEW USB-IF Recommended PCB Pattern
2. Coplanarity : The dimension between flat tool and when connector put on the flat tool like PCB botton of soldering terminals  
Signal terminal / Metal (front) : Max 0.08 mm
3. PRODUCT NUMBERING  
10103594 - 0001 LF

No.	Part Name	Material	Finish	Remarks
1	Socket Housing	Thermoplastic	(Black)	
2	Socket Contact Ter	Copper Alloy	Au over Ni	
3	Socket Shield	Stainless Steel	Sn over Ni	
4	Socket Plate	Stainless Steel		

mat'l. code				tolerances unless otherwise specified			CUSTOMER COPY	
ltr	ecn no	dr	date	linear	.X ± 0.38	projection	title	
A	T10-0002	J.H	1/7/10		.XX ± 0.25		MICRO-USB B-TYPE RECEP. product family USB size dwg no 10103594	
				angles	.XXX ± 0.15			
				dr	0° ± 2°	MM	code	
				engr		scale	TWN	
				chr	JASON HSU 1/7/10	NA	sheet	
				appd	JASON HSU 1/7/10		1 of 1	
					GARY HSIEH 1/7/10			
					JOSEPH HSIA 1/7/10			

sheet index	revision sheet	A	1	cage code	4

ACAD

PDM: Rev:A

STATUS: Released

Printed: Jun 02, 2010