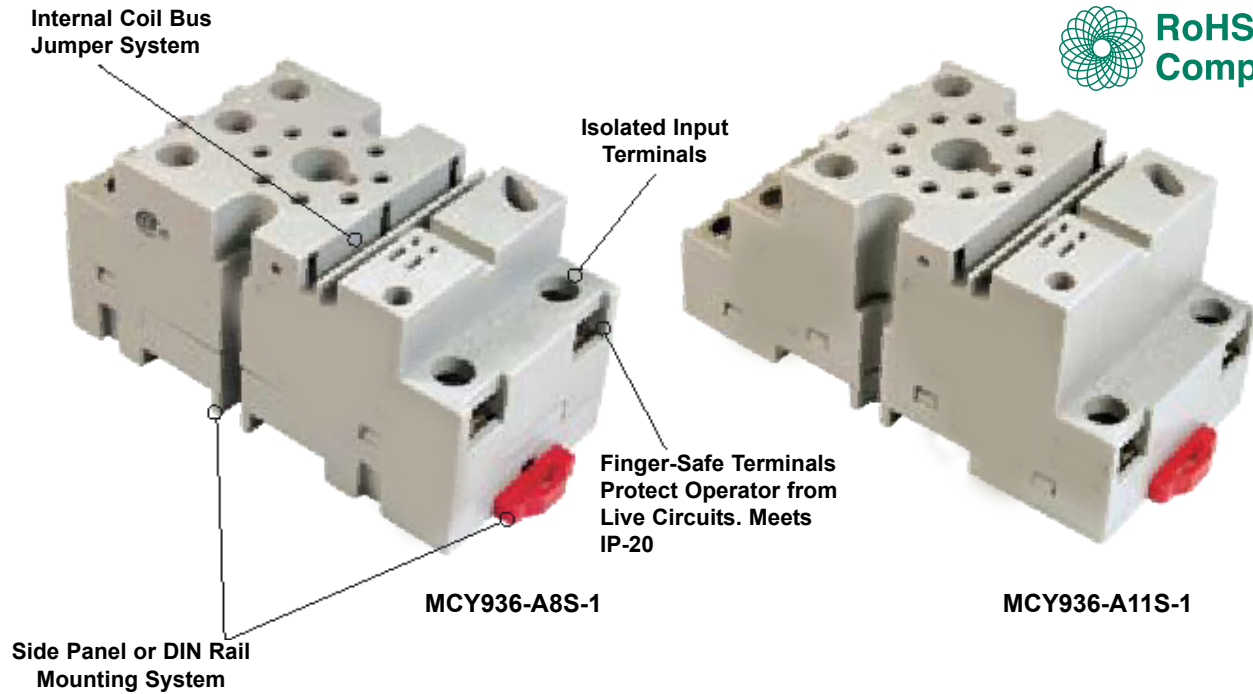


MCY936 Series Sockets



General Specifications

Characteristics	Units	Value
Number of Terminals	-	8, 11
Electrical Rating		
Nominal Voltage Rating	Volts	300 / 600
Nominal Current Rating	Amperes	16 / 5
Dielectric Strength		
Output to Adjacent Output Terminals	V_{rms}	2,500
Output to Input Terminals	V_{rms}	2,500
Terminals to Rail / Chassis	V_{rms}	2,500
Temperature		
Operating Range:	°C	-40 to +80
Storage Range:	°C	-40 to +105
Construction		
Protection Category (Finger-Safe)	EN 60529	IP 20
Internal Metal Tracks	-	Copper Alloy, Zinc Plated
Screw Terminals	-	Steel, Zinc Plated
Screw Style	-	Combination Head
Screw Size	mm	M3.5
Screw Torque 3.5 mm (Max.)	Lb-in / Nm	9 / 1

www.element14.com
www.farnell.com
www.newark.com



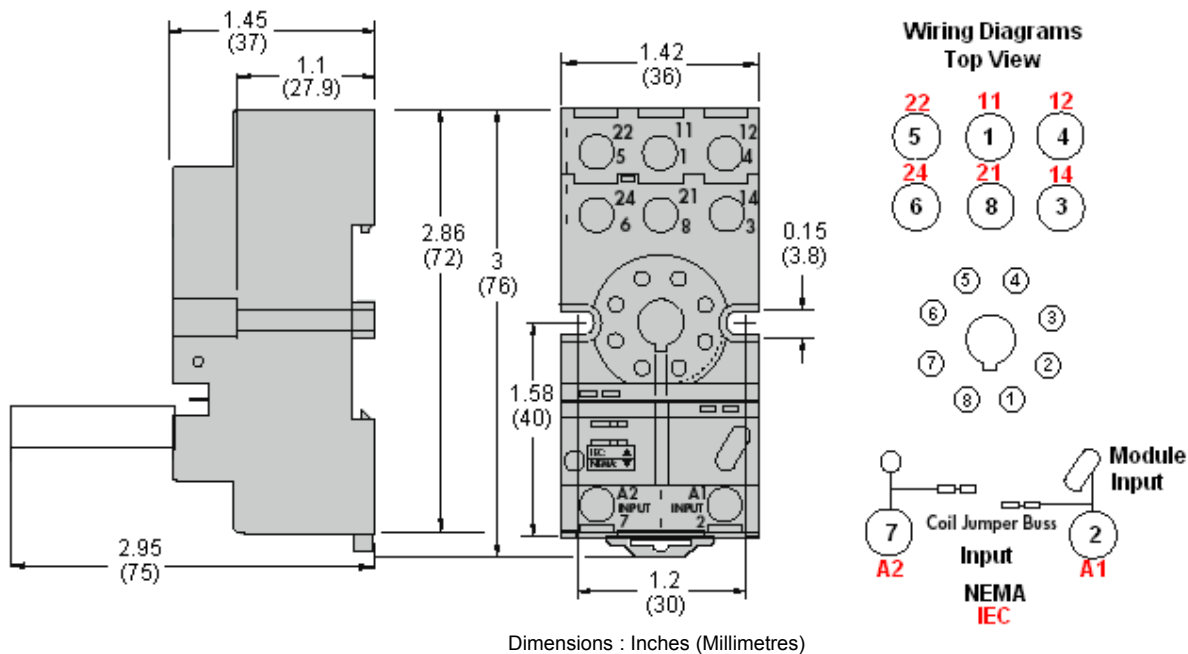
MCY936 Series Sockets



General Specifications

Miscellaneous	Units	Value
Socket Mounting:	-	Din / Panel
Wire Size Capacity (Max.)	EN 60204-1	AWG mm ²
Solid Cu	AWG, mm ²	12 / 14 (2) 4 / 2.5 (2)
Stranded Cu	AWG, mm ²	12 / 14 (2) 4 / 2.5 (2)
Wire Connection Method	-	Screw Clamping
DIN Rail Mounting	EN 60715	35 mm
Chassis Mount Screw Torque	Lb-in / Nm	7 / 0.8
Flammability Rating	Class	94V-0
Body Colour	-	Light Gray
DIN Locking Method	-	Red Plastic Locking Clip
Weight	g	60, 78

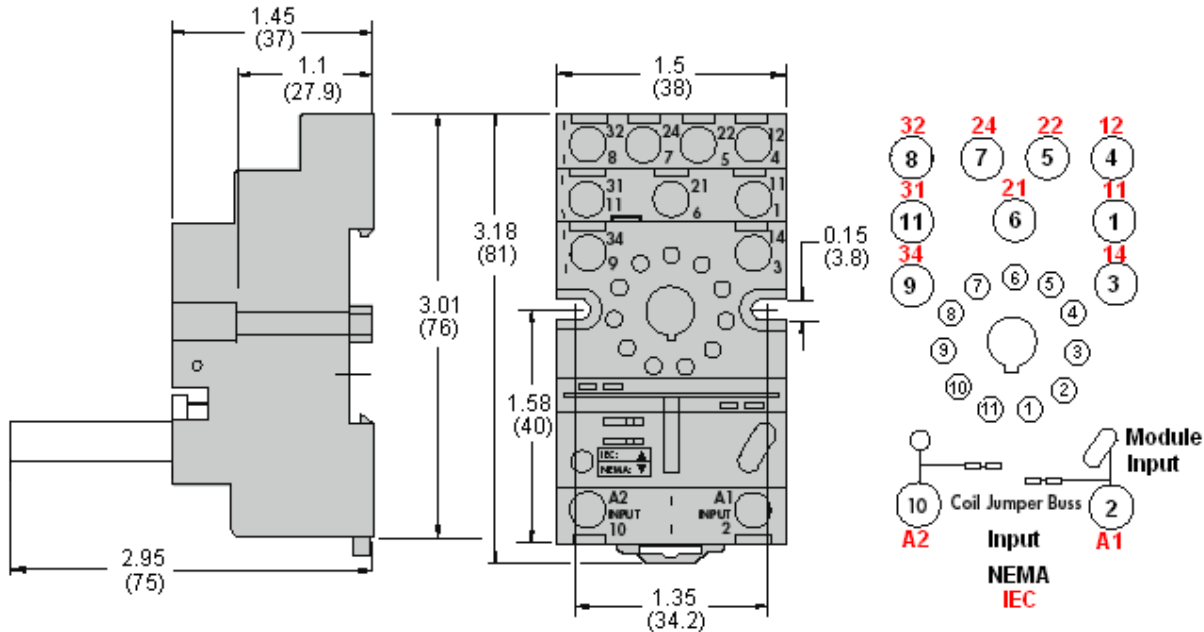
MCY936-A8S-1



MCY936 Series Sockets



MCY936-A11S-1



Part Number Table

Description	Part Number
8 and 11-Pin Octal, Logic Style, Finger-Safe, DIN / Panel Mount	MCY936-A8S-1
	MCY936-A11S-1

Important Notice : This data sheet and its contents (the "Information") belong to the members of the Premier Farnell group of companies (the "Group") or are licensed to it. No licence is granted for the use of it other than for information purposes in connection with the products to which it relates. No licence of any intellectual property rights is granted. The Information is subject to change without notice and replaces all data sheets previously supplied. The Information supplied is believed to be accurate but the Group assumes no responsibility for its accuracy or completeness, any error in or omission from it or for any use made of it. Users of this data sheet should check for themselves the Information and the suitability of the products for their purpose and not make any assumptions based on information included or omitted. Liability for loss or damage resulting from any reliance on the Information or use of it (including liability resulting from negligence or where the Group was aware of the possibility of such loss or damage arising) is excluded. This will not operate to limit or restrict the Group's liability for death or personal injury resulting from its negligence. Multicomp is the registered trademark of the Group. © Premier Farnell plc 2011.

