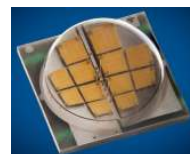


## MINNIE REFLECTOR FOR CREE MT-G LED



- Special design care taken to make a uniform visually pleasing illumination.
- Specially designed for Cree MT-G LED
- Reflector is made of aluminum coated PC (120°C/248F) with protective laquer (110°C/230F)

### LENS TYPE

NAME	ORDERING CODE	FWHM Angle
Minnie reflector	C11862_Minnie-W-MTG	±18°

© Ledil Oy – PRELIMINARY - Subject to change without prior notice

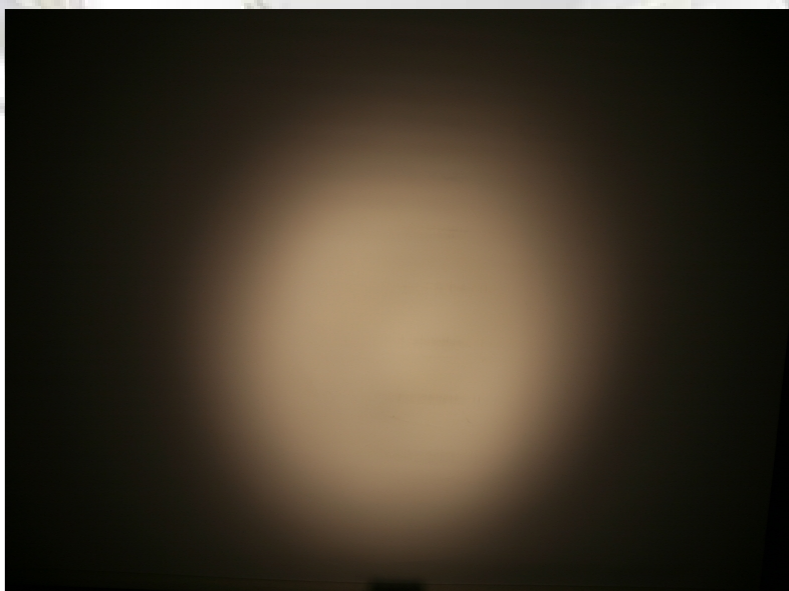
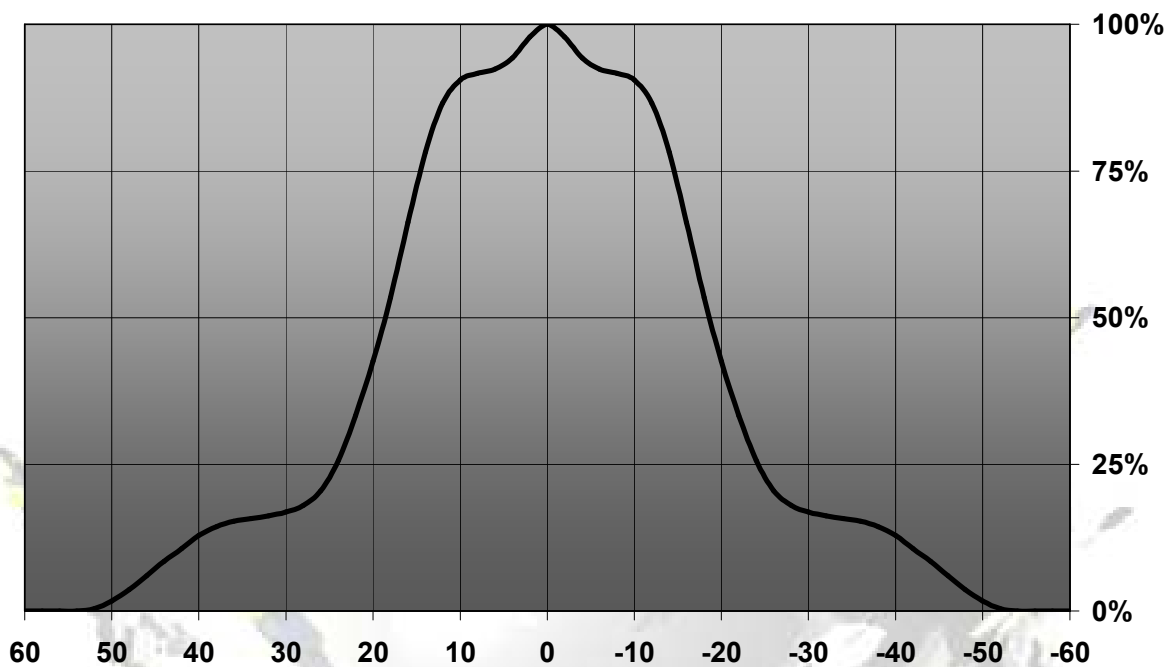
Ledil Oy  
Tehdaskatu 13  
FIN-24100 SALO, Finland

[www.ledil.com](http://www.ledil.com)  
email: [ledil@ledil.com](mailto:ledil@ledil.com)  
FAX: +358-2-733 8001

2011-02-25

## MEASUREMENTS

Relative intensity of C11862\_Minnie-W-MX



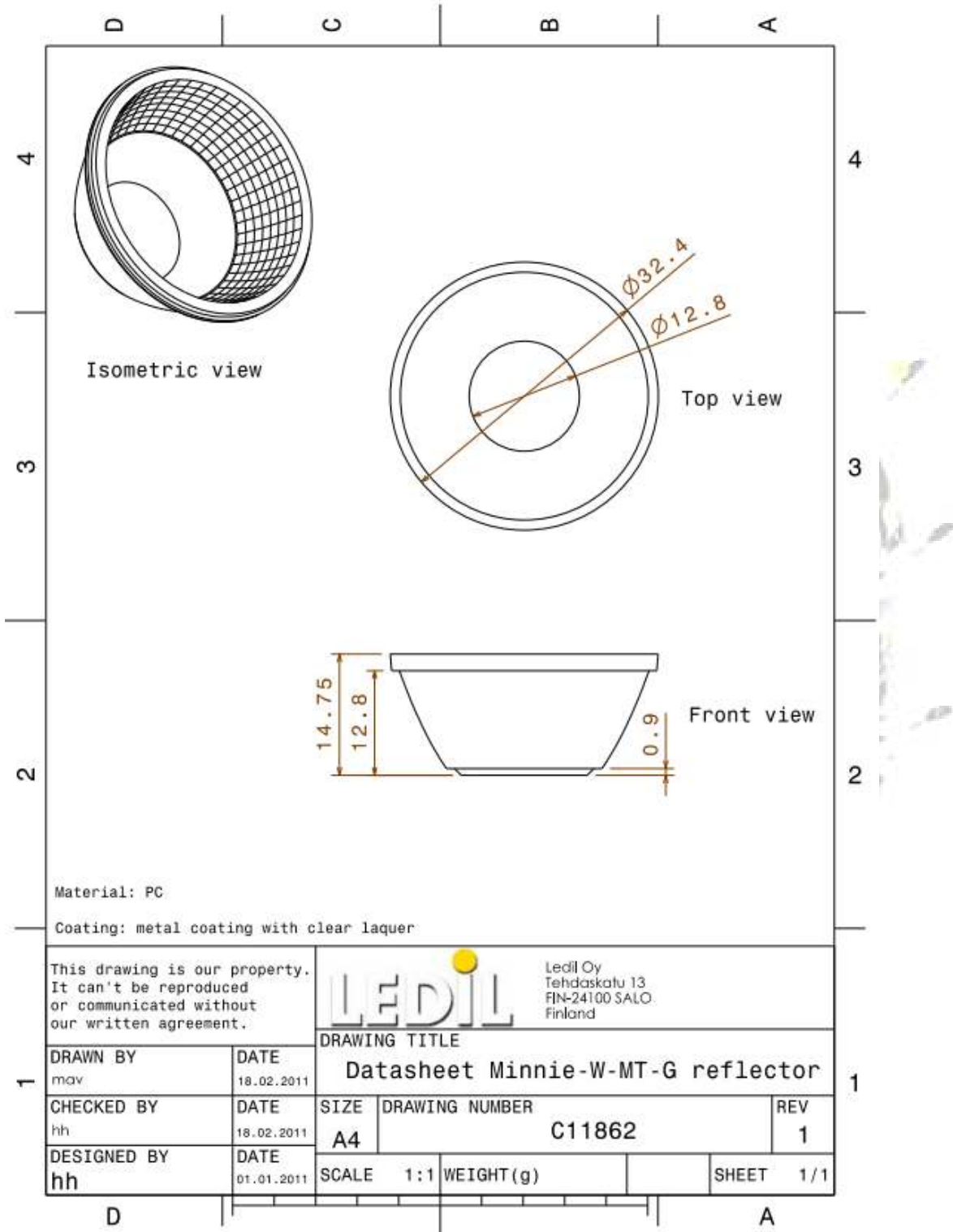
© Ledil Oy – PRELIMINARY - Subject to change without prior notice

Ledil Oy  
 Tehdaskatu 13  
 FIN-24100 SALO, Finland

[www.ledil.com](http://www.ledil.com)  
 email: [ledil@ledil.com](mailto:ledil@ledil.com)  
 FAX: +358-2-733 8001

2011-02-25

## DRAWINGS



This drawing is our property. It can't be reproduced or communicated without our written agreement.		 Ledil Oy Tehdaskatu 13 FIN-24100 SALO, Finland	
DRAWING TITLE			
<b>Datasheet Minnie-W-MT-G reflector</b>			
DRAWN BY mav	DATE 18.02.2011	SIZE A4	DRAWING NUMBER C11862
CHECKED BY hh	DATE 18.02.2011	SCALE 1:1	REV 1
DESIGNED BY hh	DATE 01.01.2011	WEIGHT (g)	SHEET 1/1

© Ledil Oy – PRELIMINARY - Subject to change without prior notice

Ledil Oy  
 Tehdaskatu 13  
 FIN-24100 SALO, Finland

[www.ledil.com](http://www.ledil.com)  
 email: [ledil@ledil.com](mailto:ledil@ledil.com)  
 FAX: +358-2-733 8001

2011-02-25