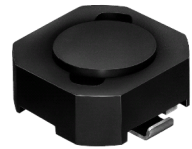
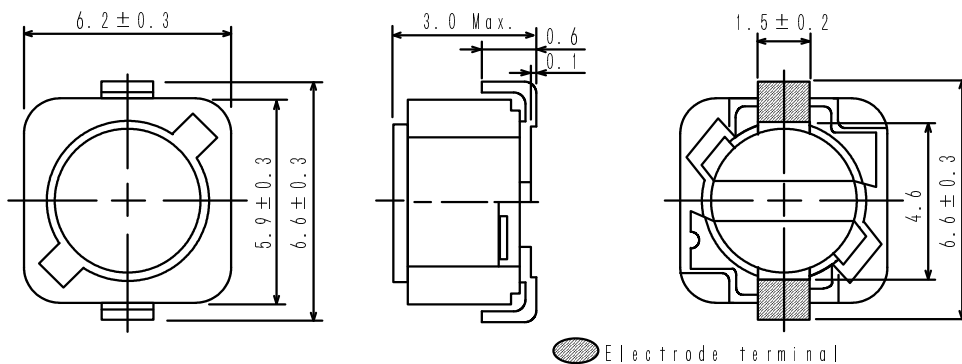
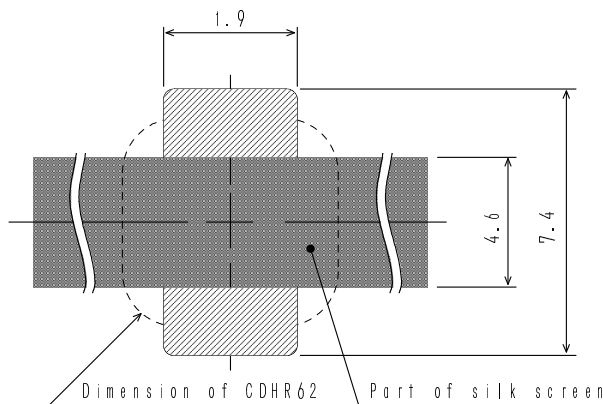


**Type: CDRH62B**
**◆ Product Description**

- 6.9×6.5mm Max.(L×W), 3.0mm Max. Height.
- Inductance range: 2.9~330 μ H.
- Rated current range: 0.19~1.94A.
- In addition to the standards versions shown here, custom inductors are also available to meet exact your requirements.


**◆ Feature**

- Magnetically shielded construction.
- Storage temperature range: -40°C~+100°C.
- Operating temperature range: -40°C~+100°C (Including coil's self temperature rise).
- Ideally used in Notebook PC, LCD TV, Game machine, HDD,DSC/DVC, etc as DC-DC converter inductors.
- RoHS compliance.

**◆ Dimensions (mm)**

**◆ Land Pattern (mm)**


**Type: CDRH62B**
**◆ Specification**

Part Name ※	Stamp	Inductance ( $\mu$ H) ※1	D.C.R.( $\Omega$ ) Max.(Typ.) (at 20°C)	Rated Current (A) ※1	Measuring Frequency
CDRH62BNP-2R9N□	2R9	2.9+40% -20%	68m (50m)	1.94	at 7.96MHz
CDRH62BNP-4R0N□	4R0	4.0+40% -20%	80m (59m)	1.63	
CDRH62BNP-5R5N□	5R5	5.5+40% -20%	96m (71m)	1.40	
CDRH62BNP-6R3N□	6R3	6.3+40% -20%	0.10 (77m)	1.30	
CDRH62BNP-7R1N□	7R1	7.1+40% -20%	0.11 (81m)	1.22	
CDRH62BNP-8R0N□	8R0	8.0+40% -20%	0.12 (87m)	1.15	
CDRH62BNP-100M□	100	10±20%	0.15 (0.11)	1.10	at 1 kHz
CDRH62BNP-120M□	120	12±20%	0.20 (0.15)	1.00	
CDRH62BNP-150M□	150	15±20%	0.23 (0.17)	0.90	
CDRH62BNP-180M□	180	18±20%	0.27 (0.20)	0.80	
CDRH62BNP-220M□	220	22±20%	0.34 (0.25)	0.74	
CDRH62BNP-270M□	270	27±20%	0.38 (0.29)	0.66	
CDRH62BNP-330M□	330	33±20%	0.45 (0.33)	0.59	
CDRH62BNP-390M□	390	39±20%	0.49 (0.37)	0.54	
CDRH62BNP-470M□	470	47±20%	0.69 (0.51)	0.50	
CDRH62BNP-560M□	560	56±20%	0.78 (0.58)	0.46	
CDRH62BNP-680M□	680	68±20%	1.07 (0.83)	0.42	
CDRH62BNP-820M□	820	82±20%	1.21 (0.93)	0.38	
CDRH62BNP-101M□	101	100±20%	1.39 (1.07)	0.34	
CDRH62BNP-121M□	121	120±20%	1.90 (1.46)	0.31	
CDRH62BNP-151M□	151	150±20%	2.18 (1.68)	0.28	
CDRH62BNP-181M□	181	180±20%	2.77 (2.13)	0.26	
CDRH62BNP-221M□	221	220±20%	3.12 (2.40)	0.23	
CDRH62BNP-271M□	271	270±20%	4.38 (3.37)	0.22	
CDRH62BNP-331M□	331	330±20%	4.94 (3.80)	0.19	

**※ Description of part name**

CDRH62BNP-2R9N□

- B Box
- C Carrier Tape

※1. Rated current: The DC current at which the inductance decreases to 75% of it's nominal value or when  $\Delta t=40^{\circ}\text{C}$ , whichever is lower( $T_a=20^{\circ}\text{C}$ ).