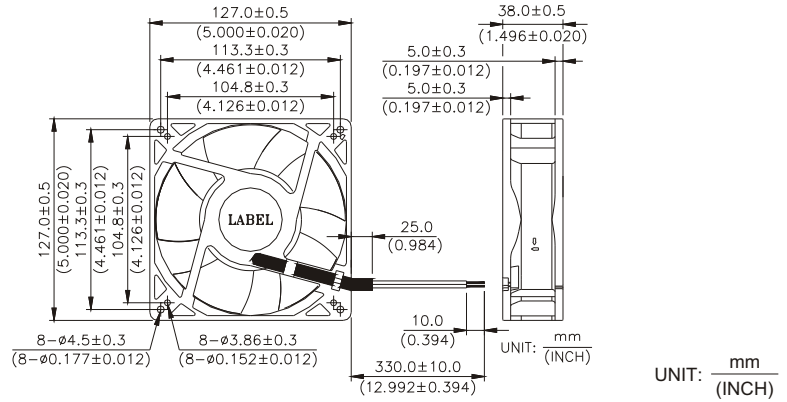


New



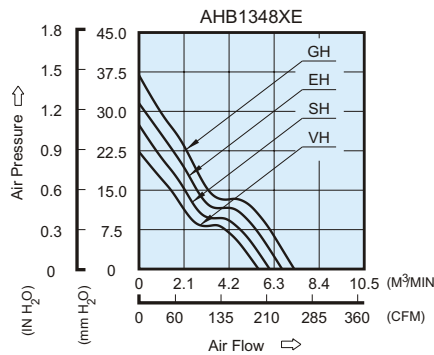
AHB 127 x 127 x 38 MM SERIES

DIMENSIONS DRAWING

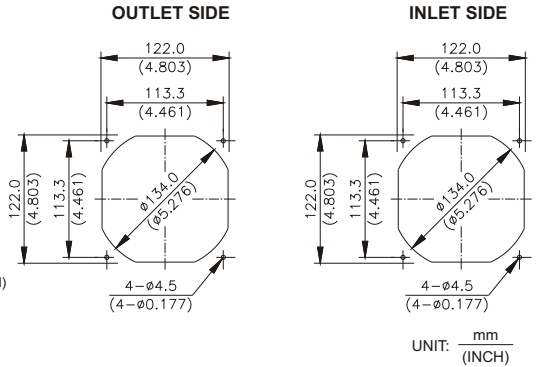


- * Bearing Type
Ball Bearings
- * Material
Impeller : Plastic (UL 94V-0)
Frame : Die-cast Aluminum
- * Lead Wires :
UL 1007 AWG #24 OR Equivalent
Red Wire Positive (+)
Black Wire Negative (-)
- * Weight : 490g (17.28 oz)

P & Q CURVE (AT RATED VOLTAGE)



MOUNTING PANEL CUTOUT



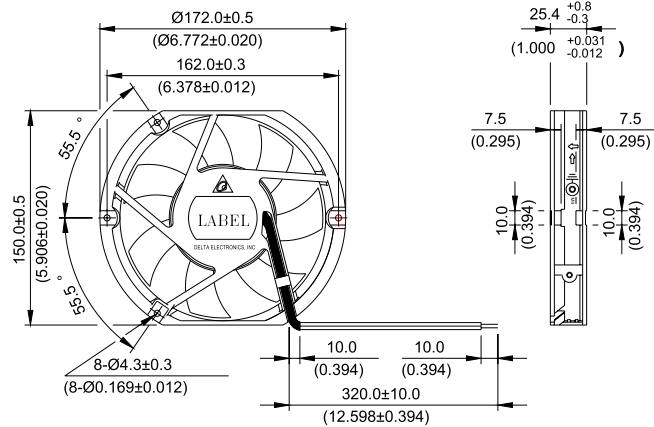
| MODEL | | Rated Voltage | Operating Voltage Range | Rated Current | Rated Input Power | Speed | Maximum Air Flow | | Maximum Air Pressure | | Noise |
|------------|-------------|---------------|-------------------------|---------------|-------------------|--------|---------------------|--------|----------------------|---------------------|-------|
| PART NO. | FUNCTION | VDC | VDC | Amp | Watt | R.P.M. | m ³ /min | CFM | mmH ₂ O | IN H ₂ O | dB-A |
| AHB1348VHE | -R00 / -F00 | 48 | 32.0 to 80.0 | 0.41 | 19.68 | 4300 | 5.573 | 196.82 | 22.39 | 0.881 | 60.5 |
| AHB1348SHE | -R00 / -F00 | 48 | 32.0 to 80.0 | 0.49 | 23.52 | 4700 | 6.091 | 215.12 | 26.79 | 1.055 | 63.0 |
| AHB1348EHE | -R00 / -F00 | 48 | 32.0 to 80.0 | 0.61 | 29.28 | 5100 | 6.660 | 235.20 | 31.41 | 1.237 | 65.0 |
| AHB1348GHE | -R00 / -F00 | 48 | 32.0 to 80.0 | 0.75 | 36.00 | 5500 | 7.243 | 255.77 | 36.77 | 1.448 | 67.0 |

- * Function type is optional.
- * The max. air flow and the speed are measured in free air ; max. air pressure is measured at zero air flow.
- * Noise is measured in anechoic chamber in free air, one meter from intake side.
- * All readings are typical values at rated voltage.
- * Specifications are subject to change without notice.

New

AHB 172 x 150 x 25.4 MM SERIES

DIMENSIONS DRAWING

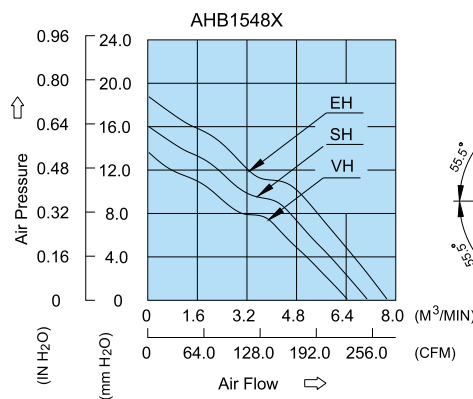


UNIT: $\frac{\text{mm}}{\text{(INCH)}}$

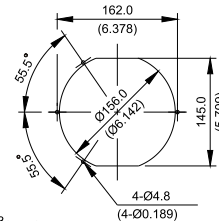
- * Bearing Type
Ball Bearings
- * Material
Impeller : Plastic (UL 94V-0)
Frame : Die-Cast Aluminum
- * Lead Wires :
UL 1007AWG#24 OR Equivalent
Red Wire Positive (+)
Black Wire Negative (-)
- * Weight : 430g (15.17 oz)

P & Q CURVE (AT RATED VOLTAGE)

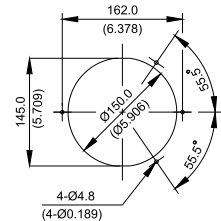
MOUNTING PANEL CUTOUT



OUTLET SIDE



INLET SIDE



UNIT: $\frac{\text{mm}}{\text{(INCH)}}$

| MODEL | | Rated Voltage | Operating Voltage Range | Rated Current | Rated Input Power | Speed | Maximum Air Flow | | Maximum Air Pressure | | Noise |
|-----------|-------------|---------------|-------------------------|---------------|-------------------|--------|---------------------|--------|----------------------|---------------------|-------|
| PART NO. | FUNCTION | VDC | VDC | Amp | Watt | R.P.M. | m ³ /min | CFM | mmH ₂ O | IN H ₂ O | dB-A |
| AHB1548VH | -R00 / -F00 | 48 | 32.0 to 80.0 | 0.37 | 17.76 | 3400 | 6.408 | 226.31 | 13.62 | 0.536 | 56.0 |
| AHB1548SH | -R00 / -F00 | 48 | 32.0 to 80.0 | 0.43 | 20.64 | 3700 | 7.059 | 249.27 | 16.10 | 0.634 | 59.0 |
| AHB1548EH | -R00 / -F00 | 48 | 32.0 to 80.0 | 0.52 | 24.96 | 4000 | 7.675 | 271.05 | 18.69 | 0.736 | 61.0 |

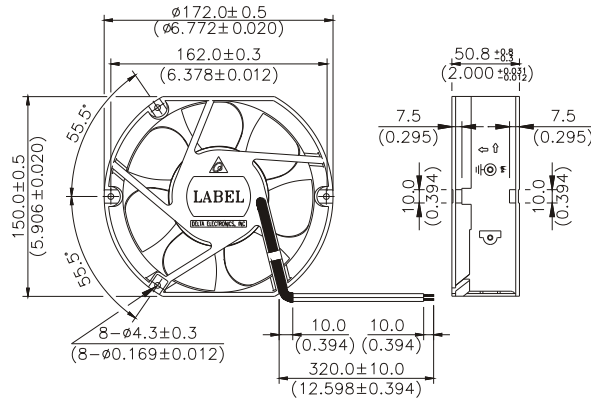
* Function type is optional.
 * The max. air flow and the speed are measured in free air ; max. air pressure is measured at zero air flow.
 * Noise is measured in anechoic chamber in free air, one meter from intake side.
 * All readings are typical values at rated voltage.
 * Specifications are subject to change without notice.

New



AHB 172 x 150 x 50.8 MM SERIES

DIMENSIONS DRAWING

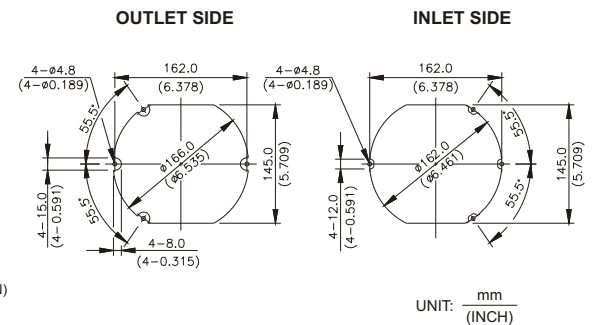
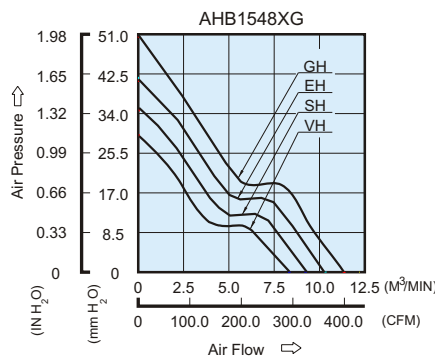


UNIT: $\frac{\text{mm}}{\text{(INCH)}}$

- * Bearing Type
Ball Bearings
- * Material
Impeller : Plastic (UL 94V-0)
Frame : Die-cast Aluminum
- * Lead Wires :
UL 1007 AWG #24 OR Equivalent
Red Wire Positive (+)
Black Wire Negative (-)
- * Weight : 800g (28.22 oz)

P & Q CURVE (AT RATED VOLTAGE)

MOUNTING PANEL CUTOUT



UNIT: $\frac{\text{mm}}{\text{(INCH)}}$

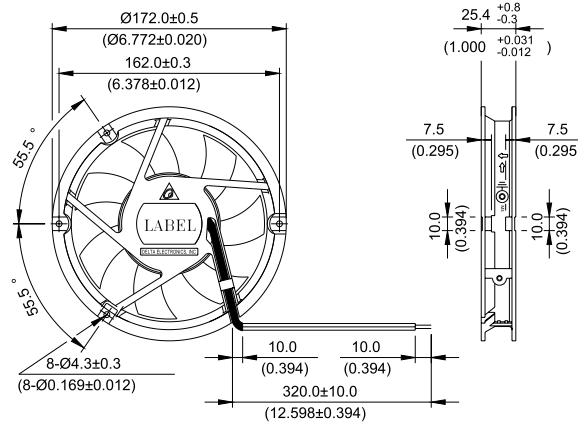
| MODEL | | Rated Voltage | Operating Voltage Range | Rated Current | Rated Input Power | Speed | Maximum Air Flow | | Maximum Air Pressure | | Noise |
|------------|-------------|---------------|-------------------------|---------------|-------------------|--------|---------------------|--------|----------------------|---------------------|-------|
| PART NO. | FUNCTION | VDC | VDC | Amp | Watt | R.P.M. | m ³ /min | CFM | mmH ₂ O | IN H ₂ O | dB-A |
| AHB1548VHG | -R00 / -F00 | 48 | 32.0 to 80.0 | 0.71 | 34.08 | 4000 | 8.645 | 305.29 | 28.91 | 1.138 | 62.0 |
| AHB1548SHG | -R00 / -F00 | 48 | 32.0 to 80.0 | 0.88 | 42.24 | 4400 | 9.526 | 336.41 | 34.69 | 1.366 | 64.0 |
| AHB1548EHG | -R00 / -F00 | 48 | 32.0 to 80.0 | 1.22 | 58.56 | 4800 | 10.434 | 368.47 | 41.43 | 1.631 | 66.0 |
| AHB1548GHG | -R00 / -F00 | 48 | 32.0 to 80.0 | 1.52 | 72.96 | 5200 | 11.404 | 402.72 | 49.88 | 1.964 | 68.5 |

- * Function type is optional.
- * The max. air flow and the speed are measured in free air ; max. air pressure is measured at zero air flow.
- * Noise is measured in anechoic chamber in free air, one meter from intake side.
- * All readings are typical values at rated voltage.
- * Specifications are subject to change without notice.

New

AHB Ø 172 x 25.4 MM SERIES

DIMENSIONS DRAWING

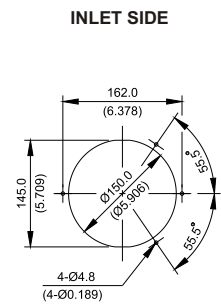
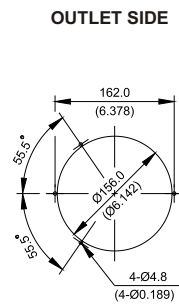
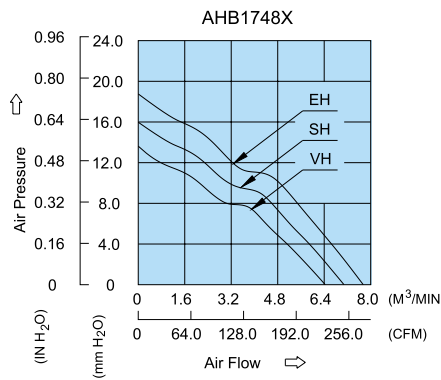


UNIT: $\frac{\text{mm}}{\text{(INCH)}}$

- * Bearing Type
Ball Bearings
- * Material
Impeller : Plastic (UL 94V-0)
Frame : Die-Cast Aluminum
- * Lead Wires :
UL 1007AWG#24 OR Equivalent
Red Wire Positive (+)
Black Wire Negative (-)
- * Weight : 450g (15.87 oz)

P & Q CURVE (AT RATED VOLTAGE)

MOUNTING PANEL CUTOUT



UNIT: $\frac{\text{mm}}{\text{(INCH)}}$

| MODEL | | Rated Voltage | Operating Voltage Range | Rated Current | Rated Input Power | Speed | Maximum Air Flow | | Maximum Air Pressure | | Noise |
|-----------|-------------|---------------|-------------------------|---------------|-------------------|--------|---------------------|--------|----------------------|---------------------|-------|
| PART NO. | FUNCTION | VDC | VDC | Amp | Watt | R.P.M. | m ³ /min | CFM | mmH ₂ O | IN H ₂ O | dB-A |
| AHB1748VH | -R00 / -F00 | 48 | 32.0 to 80.0 | 0.37 | 17.76 | 3400 | 6.408 | 226.31 | 13.62 | 0.536 | 56.0 |
| AHB1748SH | -R00 / -F00 | 48 | 32.0 to 80.0 | 0.43 | 20.64 | 3700 | 7.059 | 249.27 | 16.10 | 0.634 | 59.0 |
| AHB1748EH | -R00 / -F00 | 48 | 32.0 to 80.0 | 0.52 | 24.96 | 4000 | 7.675 | 271.05 | 18.69 | 0.736 | 61.0 |

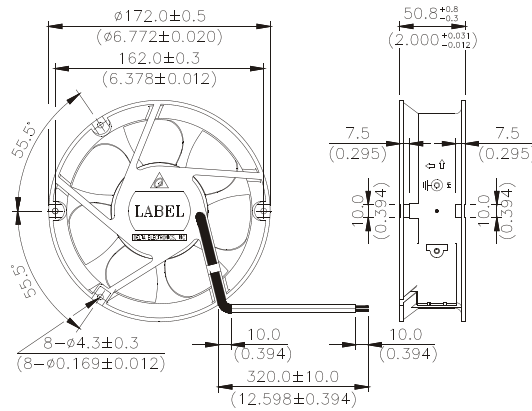
* Function type is optional.
 * The max. air flow and the speed are measured in free air ; max. air pressure is measured at zero air flow.
 * Noise is measured in anechoic chamber in free air, one meter from intake side.
 * All readings are typical values at rated voltage.
 * Specifications are subject to change without notice.

New



AHB Ø172 x 50.8 MM SERIES

DIMENSIONS DRAWING

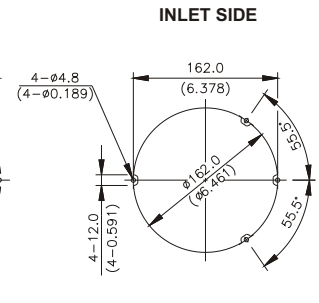
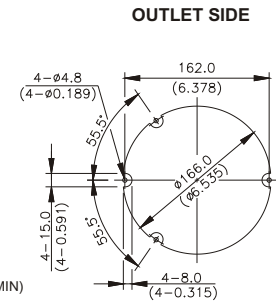
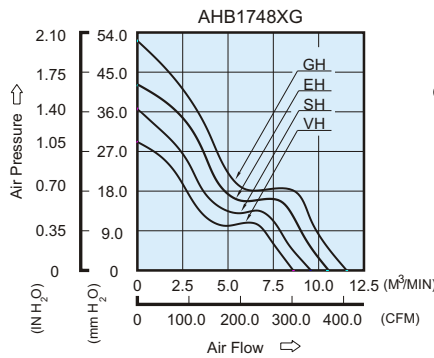


UNIT: $\frac{\text{mm}}{\text{(INCH)}}$

- * Bearing Type
Ball Bearings
- * Material
Impeller : Plastic (UL 94V-0)
Frame : Die-cast Aluminum
- * Lead Wires :
UL 1007 AWG #24 OR Equivalent
Red Wire Positive (+)
Black Wire Negative (-)
- * Weight : 820g (28.93 oz)

P & Q CURVE (AT RATED VOLTAGE)

MOUNTING PANEL CUTOUT



UNIT: $\frac{\text{mm}}{\text{(INCH)}}$

| MODEL | | Rated Voltage | Operating Voltage Range | Rated Current | Rated Input Power | Speed | Maximum Air Flow | | Maximum Air Pressure | | Noise |
|------------|-------------|---------------|-------------------------|---------------|-------------------|--------|---------------------|--------|----------------------|---------------------|-------|
| PART NO. | FUNCTION | VDC | VDC | Amp | Watt | R.P.M. | m ³ /min | CFM | mmH ₂ O | IN H ₂ O | dB-A |
| AHB1748VHG | -R00 / -F00 | 48 | 32.0 to 80.0 | 0.71 | 34.08 | 4000 | 8.760 | 309.37 | 29.75 | 1.171 | 59.5 |
| AHB1748SHG | -R00 / -F00 | 48 | 32.0 to 80.0 | 0.88 | 42.24 | 4400 | 9.773 | 345.13 | 36.34 | 1.431 | 61.5 |
| AHB1748EHG | -R00 / -F00 | 48 | 32.0 to 80.0 | 1.22 | 58.56 | 4800 | 10.636 | 375.62 | 43.24 | 1.702 | 64.0 |
| AHB1748GHG | -R00 / -F00 | 48 | 32.0 to 80.0 | 1.52 | 72.96 | 5200 | 11.564 | 408.39 | 52.02 | 2.048 | 66.5 |

- * Function type is optional.
- * The max. air flow and the speed are measured in free air ; max. air pressure is measured at zero air flow.
- * Noise is measured in anechoic chamber in free air, one meter from intake side.
- * All readings are typical values at rated voltage.
- * Specifications are subject to change without notice.