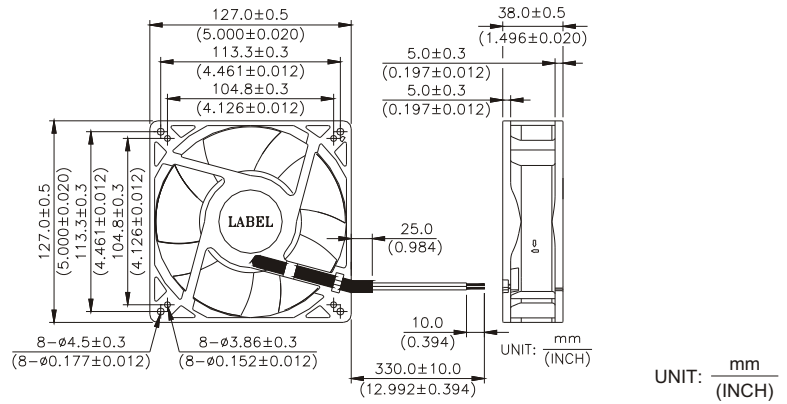


New



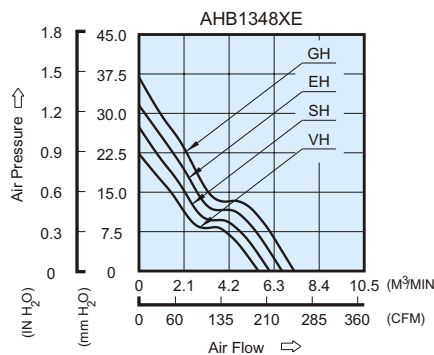
AHB 127 x 127 x 38 MM SERIES

DIMENSIONS DRAWING

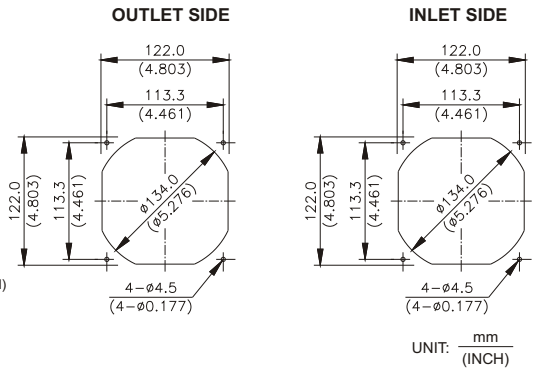


- * Bearing Type
Ball Bearings
- * Material
Impeller : Plastic (UL 94V-0)
Frame : Die-cast Aluminum
- * Lead Wires :
UL 1007 AWG #24 OR Equivalent
Red Wire Positive (+)
Black Wire Negative (-)
- * Weight : 490g (17.28 oz)

P & Q CURVE (AT RATED VOLTAGE)



MOUNTING PANEL CUTOUT



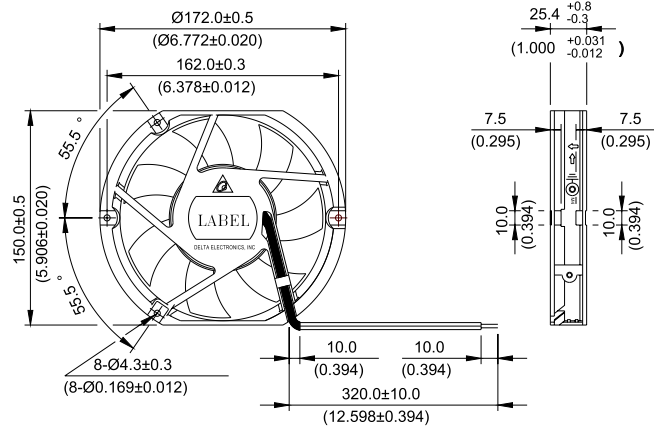
MODEL		Rated Voltage	Operating Voltage Range	Rated Current	Rated Input Power	Speed	Maximum Air Flow		Maximum Air Pressure		Noise
PART NO.	FUNCTION	VDC	VDC	Amp	Watt	R.P.M.	m ³ /min	CFM	mmH ₂ O	IN H ₂ O	dB-A
AHB1348VHE	-R00 / -F00	48	32.0 to 80.0	0.41	19.68	4300	5.573	196.82	22.39	0.881	60.5
AHB1348SHE	-R00 / -F00	48	32.0 to 80.0	0.49	23.52	4700	6.091	215.12	26.79	1.055	63.0
AHB1348EHE	-R00 / -F00	48	32.0 to 80.0	0.61	29.28	5100	6.660	235.20	31.41	1.237	65.0
AHB1348GHE	-R00 / -F00	48	32.0 to 80.0	0.75	36.00	5500	7.243	255.77	36.77	1.448	67.0

- * Function type is optional.
- * The max. air flow and the speed are measured in free air ; max. air pressure is measured at zero air flow.
- * Noise is measured in anechoic chamber in free air, one meter from intake side.
- * All readings are typical values at rated voltage.
- * Specifications are subject to change without notice.

New

AHB 172 x 150 x 25.4 MM SERIES

DIMENSIONS DRAWING

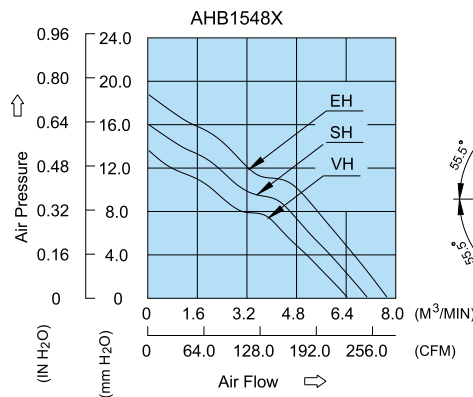


UNIT: $\frac{\text{mm}}{\text{(INCH)}}$

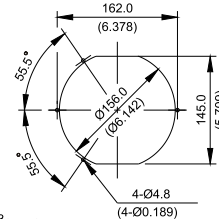
- * Bearing Type
Ball Bearings
- * Material
Impeller : Plastic (UL 94V-0)
Frame : Die-Cast Aluminum
- * Lead Wires :
UL 1007AWG#24 OR Equivalent
Red Wire Positive (+)
Black Wire Negative (-)
- * Weight : 430g (15.17 oz)

P & Q CURVE (AT RATED VOLTAGE)

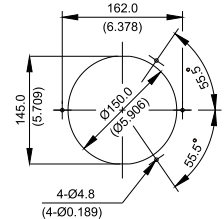
MOUNTING PANEL CUTOUT



OUTLET SIDE



INLET SIDE



UNIT: $\frac{\text{mm}}{\text{(INCH)}}$

MODEL		Rated Voltage	Operating Voltage Range	Rated Current	Rated Input Power	Speed	Maximum Air Flow		Maximum Air Pressure		Noise
PART NO.	FUNCTION	VDC	VDC	Amp	Watt	R.P.M.	m^3/min	CFM	mmH_2O	$\text{IN H}_2\text{O}$	dB-A
AHB1548VH	-R00 / -F00	48	32.0 to 80.0	0.37	17.76	3400	6.408	226.31	13.62	0.536	56.0
AHB1548SH	-R00 / -F00	48	32.0 to 80.0	0.43	20.64	3700	7.059	249.27	16.10	0.634	59.0
AHB1548EH	-R00 / -F00	48	32.0 to 80.0	0.52	24.96	4000	7.675	271.05	18.69	0.736	61.0

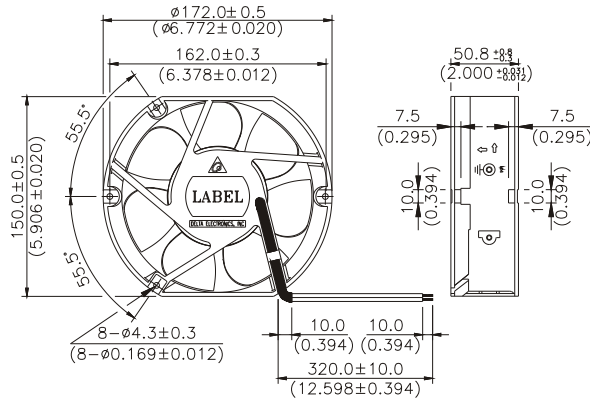
- * Function type is optional.
- * The max. air flow and the speed are measured in free air ; max. air pressure is measured at zero air flow.
- * Noise is measured in anechoic chamber in free air, one meter from intake side.
- * All readings are typical values at rated voltage.
- * Specifications are subject to change without notice.

New



AHB 172 x 150 x 50.8 MM SERIES

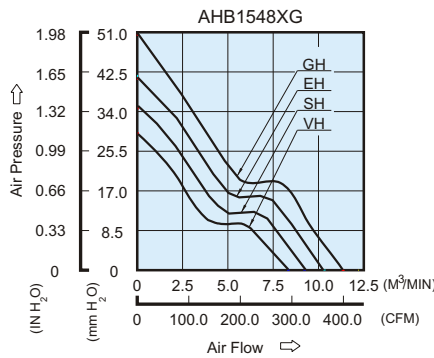
DIMENSIONS DRAWING



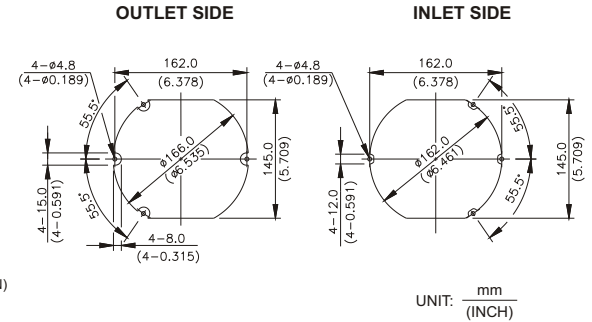
UNIT: $\frac{\text{mm}}{\text{(INCH)}}$

- * Bearing Type
Ball Bearings
- * Material
Impeller : Plastic (UL 94V-0)
Frame : Die-cast Aluminum
- * Lead Wires :
UL 1007 AWG #24 OR Equivalent
Red Wire Positive (+)
Black Wire Negative (-)
- * Weight : 800g (28.22 oz)

P & Q CURVE (AT RATED VOLTAGE)



MOUNTING PANEL CUTOUT



UNIT: $\frac{\text{mm}}{\text{(INCH)}}$

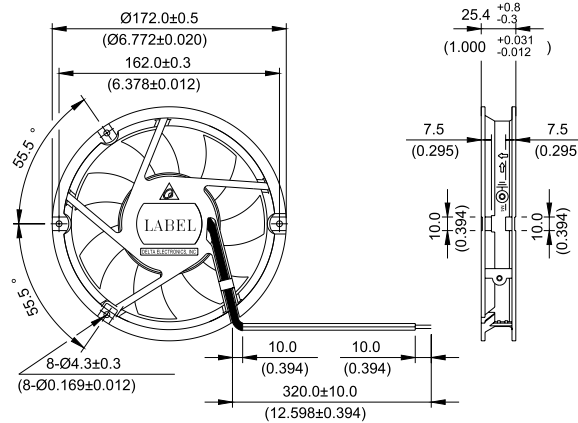
MODEL		Rated Voltage	Operating Voltage Range	Rated Current	Rated Input Power	Speed	Maximum Air Flow		Maximum Air Pressure		Noise
PART NO.	FUNCTION	VDC	VDC	Amp	Watt	R.P.M.	m ³ /min	CFM	mmH ₂ O	IN H ₂ O	dB-A
AHB1548VHG	-R00 / -F00	48	32.0 to 80.0	0.71	34.08	4000	8.645	305.29	28.91	1.138	62.0
AHB1548SHG	-R00 / -F00	48	32.0 to 80.0	0.88	42.24	4400	9.526	336.41	34.69	1.366	64.0
AHB1548EHG	-R00 / -F00	48	32.0 to 80.0	1.22	58.56	4800	10.434	368.47	41.43	1.631	66.0
AHB1548GHG	-R00 / -F00	48	32.0 to 80.0	1.52	72.96	5200	11.404	402.72	49.88	1.964	68.5

* Function type is optional.
 * The max. air flow and the speed are measured in free air ; max. air pressure is measured at zero air flow.
 * Noise is measured in anechoic chamber in free air, one meter from intake side.
 * All readings are typical values at rated voltage.
 * Specifications are subject to change without notice.

New

AHB Ø 172 x 25.4 MM SERIES

DIMENSIONS DRAWING

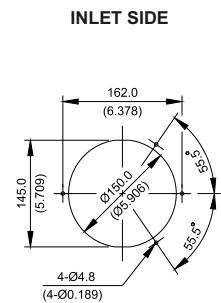
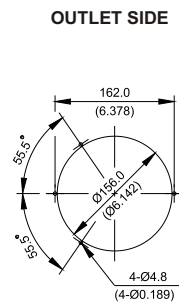
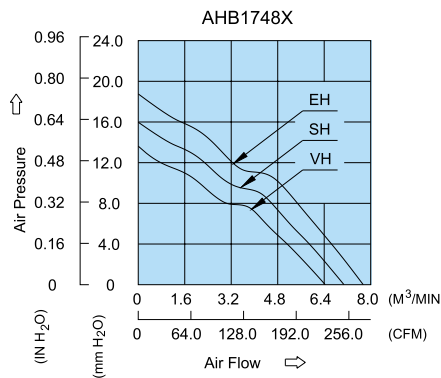


UNIT: $\frac{\text{mm}}{\text{(INCH)}}$

- * Bearing Type
Ball Bearings
- * Material
Impeller : Plastic (UL 94V-0)
Frame : Die-Cast Aluminum
- * Lead Wires :
UL 1007AWG#24 OR Equivalent
Red Wire Positive (+)
Black Wire Negative (-)
- * Weight : 450g (15.87 oz)

P & Q CURVE (AT RATED VOLTAGE)

MOUNTING PANEL CUTOUT



UNIT: $\frac{\text{mm}}{\text{(INCH)}}$

MODEL		Rated Voltage	Operating Voltage Range	Rated Current	Rated Input Power	Speed	Maximum Air Flow		Maximum Air Pressure		Noise
PART NO.	FUNCTION	VDC	VDC	Amp	Watt	R.P.M.	m ³ /min	CFM	mmH ₂ O	IN H ₂ O	dB-A
AHB1748VH	-R00 / -F00	48	32.0 to 80.0	0.37	17.76	3400	6.408	226.31	13.62	0.536	56.0
AHB1748SH	-R00 / -F00	48	32.0 to 80.0	0.43	20.64	3700	7.059	249.27	16.10	0.634	59.0
AHB1748EH	-R00 / -F00	48	32.0 to 80.0	0.52	24.96	4000	7.675	271.05	18.69	0.736	61.0

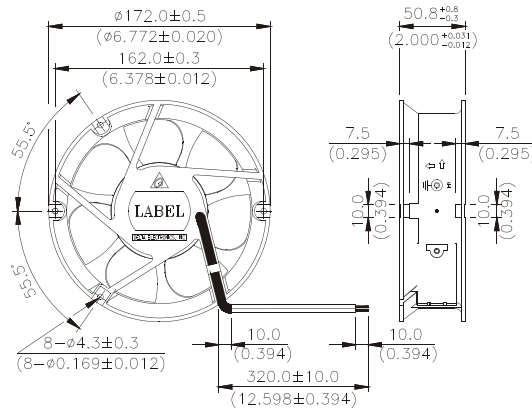
* Function type is optional.
 * The max. air flow and the speed are measured in free air ; max. air pressure is measured at zero air flow.
 * Noise is measured in anechoic chamber in free air, one meter from intake side.
 * All readings are typical values at rated voltage.
 * Specifications are subject to change without notice.

New



AHB Ø172 x 50.8 MM SERIES

DIMENSIONS DRAWING

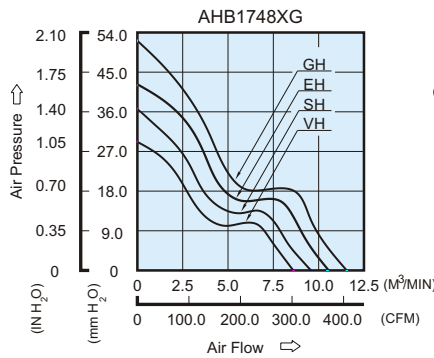


UNIT: $\frac{\text{mm}}{\text{(INCH)}}$

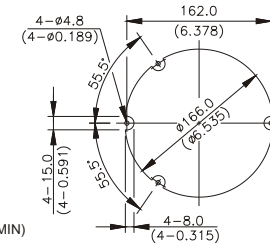
- * Bearing Type
Ball Bearings
- * Material
Impeller : Plastic (UL 94V-0)
Frame : Die-cast Aluminum
- * Lead Wires :
UL 1007 AWG #24 OR Equivalent
Red Wire Positive (+)
Black Wire Negative (-)
- * Weight : 820g (28.93 oz)

P & Q CURVE (AT RATED VOLTAGE)

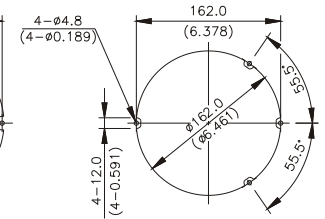
MOUNTING PANEL CUTOUT



OUTLET SIDE



INLET SIDE



UNIT: $\frac{\text{mm}}{\text{(INCH)}}$

MODEL		Rated Voltage	Operating Voltage Range	Rated Current	Rated Input Power	Speed	Maximum Air Flow		Maximum Air Pressure		Noise
PART NO.	FUNCTION	VDC	VDC	Amp	Watt	R.P.M.	m ³ /min	CFM	mmH ₂ O	IN H ₂ O	dB-A
AHB1748VHG	-R00 / -F00	48	32.0 to 80.0	0.71	34.08	4000	8.760	309.37	29.75	1.171	59.5
AHB1748SHG	-R00 / -F00	48	32.0 to 80.0	0.88	42.24	4400	9.773	345.13	36.34	1.431	61.5
AHB1748EHG	-R00 / -F00	48	32.0 to 80.0	1.22	58.56	4800	10.636	375.62	43.24	1.702	64.0
AHB1748GHG	-R00 / -F00	48	32.0 to 80.0	1.52	72.96	5200	11.564	408.39	52.02	2.048	66.5

* Function type is optional.
 * The max. air flow and the speed are measured in free air ; max. air pressure is measured at zero air flow.
 * Noise is measured in anechoic chamber in free air, one meter from intake side.
 * All readings are typical values at rated voltage.
 * Specifications are subject to change without notice.