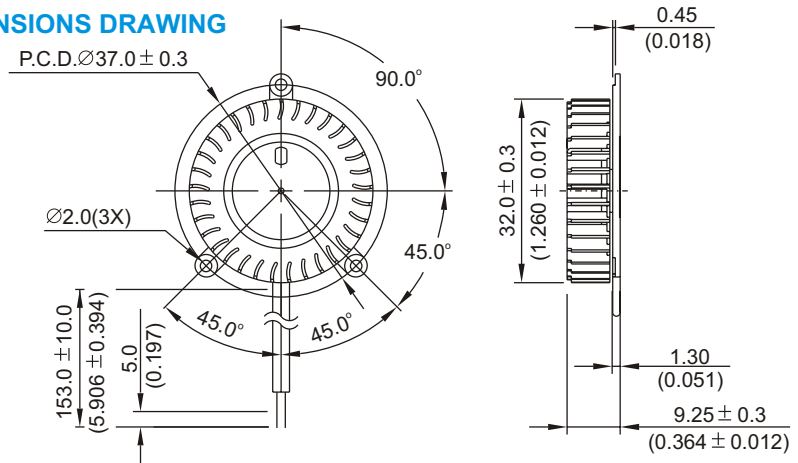
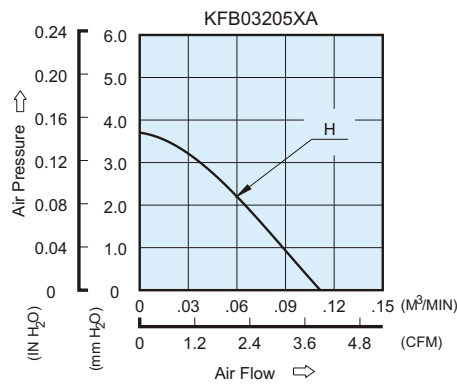


# KFB Ø32 x 9.0 MM SERIES

## DIMENSIONS DRAWING



## P & Q CURVE (AT RATED VOLTAGE)



UNIT:  $\frac{\text{mm}}{\text{INCH}}$



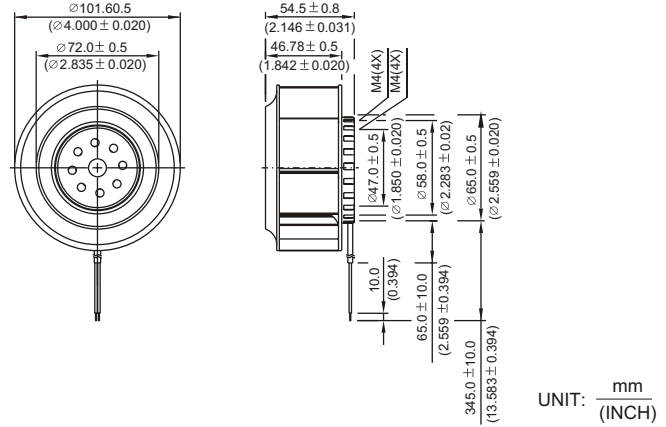
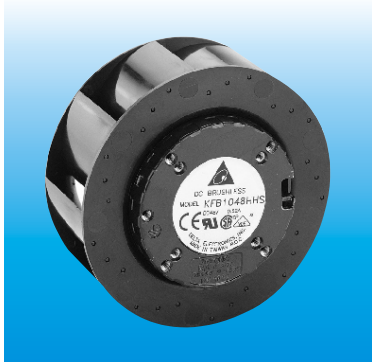
- \* Bearing Type  
Ball Bearings
- \* Material  
Impeller & Pillow : Plastic (UL 94V-0)
- \* Lead Wires :  
UL 1571 AWG #28 OR Equivalent  
Red Wire Positive (+)  
Black Wire Negative (-)
- \* Weight : 6.5g (0.23 oz)

MODEL		Rated Voltage	Operating Voltage Range	Rated Current	Rated Input Power	Speed	Maximum Air Flow		Maximum Air Pressure		Noise
PART NO.	FUNCTION	VDC	VDC	Amp	Watt	R.P.M.	m <sup>3</sup> /min	CFM	mmH <sub>2</sub> O	IN H <sub>2</sub> O	dB-A
<b>KFB03205HA</b>	/ -F00	5	4.0 to 6.0	0.24	1.20	5000	0.114	4.00	3.76	0.148	26.5

\* Function type is optional.  
 \* The max. air flow and the speed are measured in free air ; max. air pressure is measured at zero air flow.  
 \* Noise is measured in anechoic chamber in free air, one meter from intake side.  
 \* All readings are typical values at rated voltage.  
 \* Specifications are subject to change without notice.  
 \* The air flow and noise level of fans without external housing depends on the installation condition. The stated air flow and static pressure has been measured with an orifice 32.6 mm $\varnothing$  at a distance of approx. 1 mm from the mounting bracket.

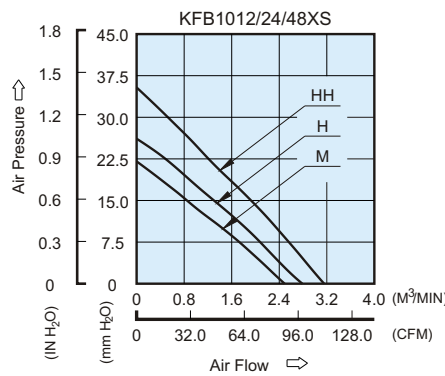
# KFB Ø100 x 55 MM SERIES

## DIMENSIONS DRAWING

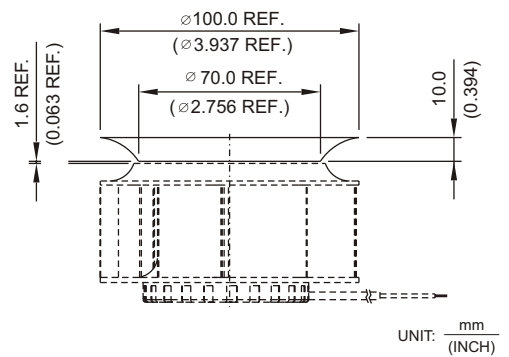


- \* Bearing Type  
Ball Bearings
- \* Material  
Impeller : Plastic (UL 94V-0)  
Pillow : Die-Cast Aluminum
- \* Lead Wires :  
UL 1007 AWG #24 OR Equivalent  
Red Wire Positive (+)  
Black Wire Negative (-)
- \* Weight : 485g (17.11 oz)

## P & Q CURVE (AT RATED VOLTAGE)



## MOUNTING PANEL CUTOUT



MODEL		Rated Voltage	Operating Voltage Range	Rated Current	Rated Input Power	Speed	Maximum Air Flow		Maximum Air Pressure		Noise
PART NO.	FUNCTION	VDC	VDC	Amp	Watt	R.P.M.	m <sup>3</sup> / min	CFM	mmH <sub>2</sub> O	IN H <sub>2</sub> O	dB-A
KFB1012MS	-R00 / -F00	12	8.0 to 13.2	0.88	10.56	4500	2.550	90.04	22.05	0.868	56.4
KFB1024MS	-R00 / -F00	24	14.0 to 26.4	0.45	10.80						
KFB1048MS	-R00 / -F00	48	32.0 to 56.0	0.23	11.04						
KFB1012HS	-R00 / -F00	12	8.0 to 13.2	1.45	17.40	5100	2.846	100.50	27.20	1.071	59.0
KFB1024HS	-R00 / -F00	24	14.0 to 26.4	0.72	17.28						
KFB1048HS	-R00 / -F00	48	32.0 to 56.0	0.35	16.80						
KFB1012HHS	-R00 / -F00	12	8.0 to 13.2	1.85	22.20	5700	3.160	111.60	35.38	1.393	62.0
KFB1024HHS	-R00 / -F00	24	14.0 to 26.4	0.87	20.88						
KFB1048HHS	-R00 / -F00	48	32.0 to 53.0	0.43	20.64						

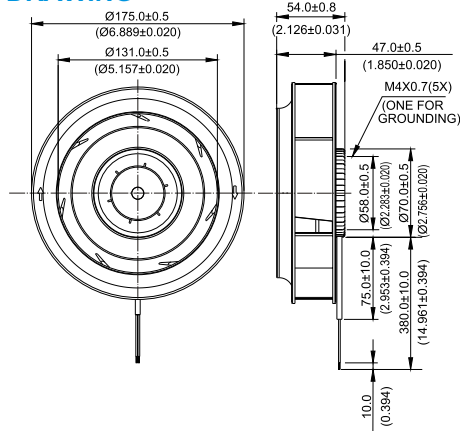
\* Function type is optional.  
 \* The max. air flow and the speed are measured in free air ; max. air pressure is measured at zero air flow.  
 \* Noise is measured in anechoic chamber in free air, one meter from intake side.  
 \* All readings are typical values at rated voltage.  
 \* Specifications are subject to change without notice.

*New*



# KFB Ø 175 x 54 MM SERIES

## DIMENSIONS DRAWING

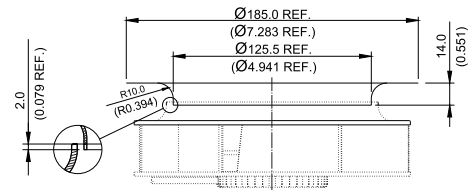
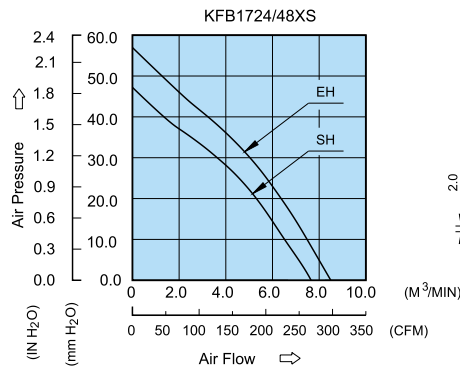


UNIT:  $\frac{\text{mm}}{\text{(INCH)}}$

- \* Bearing Type: Ball Bearings
- \* Material: Die-Cast Aluminum
- \* Impeller: Plastic (UL 94V-0)
- \* Pillow: Die-Cast Aluminum
- \* Lead Wires: UL 1430 AWG #22 OR Equivalent
- \* Red Wire Positive (+)
- \* Black Wire Negative (-)
- \* Weight: 620g (21.87 oz)

## P & Q CURVE (AT RATED VOLTAGE)

## MOUNTING PANEL CUTOUT



UNIT:  $\frac{\text{mm}}{\text{(INCH)}}$

MODEL		Rated Voltage	Operating Voltage Range	Rated Current	Rated Input Power	Speed	Maximum Air Flow		Maximum Air Pressure		Noise
PART NO.	FUNCTION	VDC	VDC	Amp	Watt	R.P.M.	m <sup>3</sup> /min	CFM	mmH <sub>2</sub> O	IN H <sub>2</sub> O	dB-A
KFB1724SHS	-R00 / -F00	24	14.0 to 30.0	1.65	39.60	3800	7.584	267.84	47.21	1.859	71.0
KFB1748SHS	-R00 / -F00	48	28.0 to 60.0	0.80	38.40	3800	7.584	267.84	47.21	1.859	71.0
KFB1724EHS	-R00 / -F00	24	14.0 to 30.0	2.30	55.20	4200	8.421	297.39	56.96	2.361	73.5
KFB1748EHS	-R00 / -F00	48	28.0 to 60.0	1.15	55.20	4200	8.421	297.39	56.96	2.361	73.5

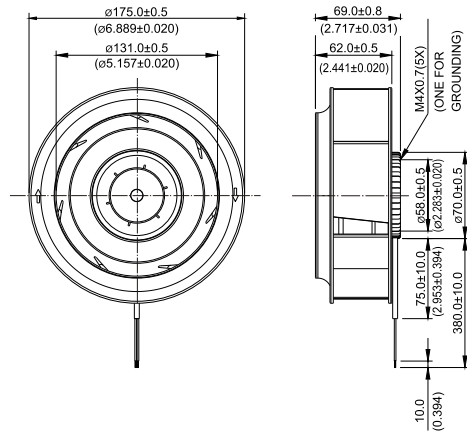
\* Function type is optional.  
 \* The max. air flow and the speed are measured in free air ; max. air pressure is measured at zero air flow.  
 \* Noise is measured in anechoic chamber in free air, one meter from intake side.  
 \* All readings are typical values at rated voltage.  
 \* Specifications are subject to change without notice.

*New*



# KFB Ø 175 x 69 MM SERIES

## DIMENSIONS DRAWING

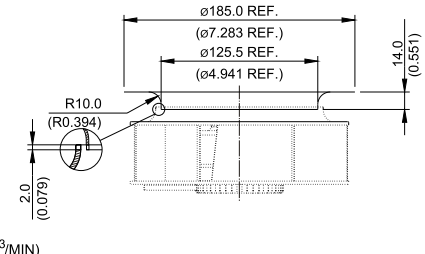
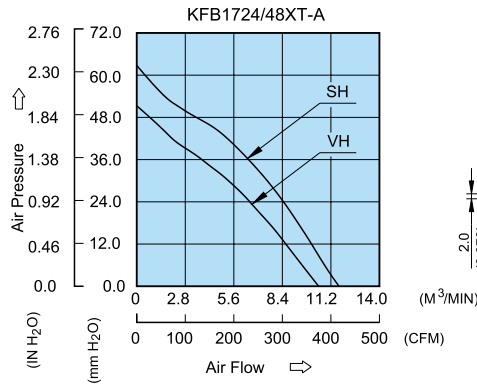


UNIT:  $\frac{\text{mm}}{\text{(INCH)}}$

- \* Bearing Type: Ball Bearings
- \* Material: Pillow: Die-Cast Aluminum
- \* Impeller: Plastic (UL 94V-0)
- \* Lead Wires: UL 1430 AWG#22 OR Equivalent Red Wire Positive (+), Black Wire Negative (-)
- \* Weight: 670g (23.63 oz)

## P & Q CURVE (AT RATED VOLTAGE)

## MOUNTING PANEL CUTOUT



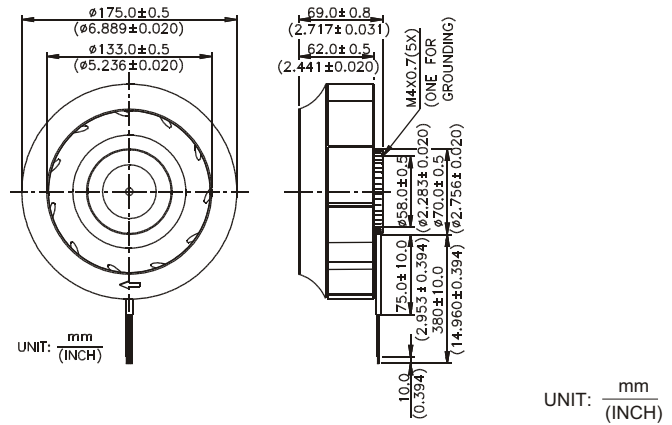
UNIT:  $\frac{\text{mm}}{\text{(INCH)}}$

MODEL			Rated Voltage	Operating Voltage Range	Rated Current	Rated Input Power	Speed	Maximum Air Flow		Maximum Air Pressure		Noise
PART NO.	REV.	FUNCTION	VDC	VDC	Amp	Watt	R.P.M.	m <sup>3</sup> /min	CFM	mmH <sub>2</sub> O	IN H <sub>2</sub> O	dB-A
KFB1724VHT	-A	-R00 / -F00	24	14.0 to 27.6	2.27	54.48	3600	10.609	374.67	49.88	1.964	70.0
KFB1748VHT	-A	-R00 / -F00	48	28.0 to 60.0	1.13	54.24						
KFB1724SHT	-A	-R00 / -F00	24	14.0 to 27.6	3.14	75.36	4000	11.688	412.78	61.03	2.403	73.0
KFB1748SHT	-A	-R00 / -F00	48	28.0 to 53.0	1.45	69.60						

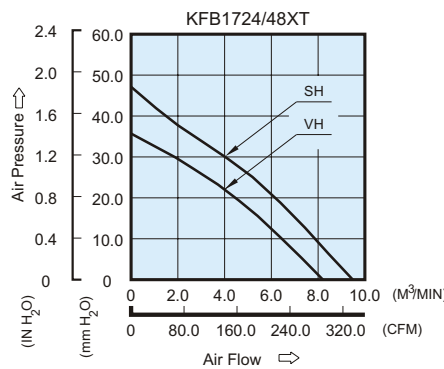
\* Function type is optional.  
 \* The max. air flow and the speed are measured in free air; max. air pressure is measured at zero air flow.  
 \* Noise is measured in anechoic chamber in free air, one meter from intake side.  
 \* All readings are typical values at rated voltage.  
 \* Specifications are subject to change without notice.

# KFB Ø175 x 69 MM SERIES

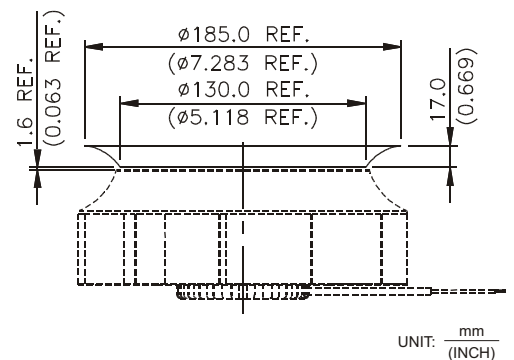
## DIMENSIONS DRAWING



## P & Q CURVE (AT RATED VOLTAGE)



## MOUNTING PANEL CUTOUT



- \* Bearing Type: Ball Bearings
- \* Material: Impeller : Plastic (UL 94V-0), Pillow : Die-Cast Aluminum
- \* Lead Wires : UL 1430 AWG #22 OR Equivalent, Red Wire Positive (+), Black Wire Negative (-)
- \* Weight : 670g (23.63 oz)

MODEL		Rated Voltage	Operating Voltage Range	Rated Current	Rated Input Power	Speed	Maximum Air Flow		Maximum Air Pressure		Noise
PART NO.	FUNCTION	VDC	VDC	Amp	Watt	R.P.M.	m <sup>3</sup> / min	CFM	mmH <sub>2</sub> O	IN H <sub>2</sub> O	dB-A
KFB1724VHT	-R00 / -F00	24	14.0 to 26.4	2.05	49.20	3000	8.206	289.79	35.69	1.405	65.0
KFB1748VHT	-R00 / -F00	48	36.0 to 53.0	1.05	50.40						
KFB1724SHT	-R00 / -F00	24	14.0 to 26.4	2.88	69.12	3300	9.480	334.79	47.86	1.884	67.5
KFB1748SHT	-R00 / -F00	48	36.0 to 53.0	1.45	69.60						

\* Function type is optional.  
 \* The max. air flow and the speed are measured in free air ; max. air pressure is measured at zero air flow.  
 \* Noise is measured in anechoic chamber in free air, one meter from intake side.  
 \* All readings are typical values at rated voltage.  
 \* Specifications are subject to change without notice.