

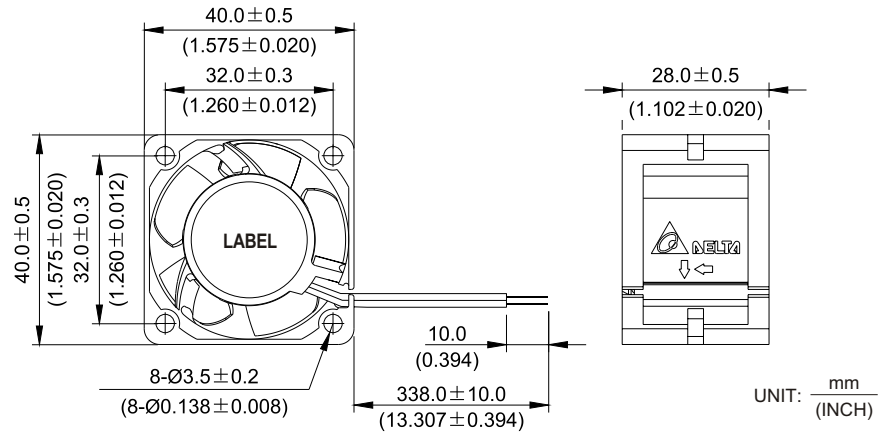
New



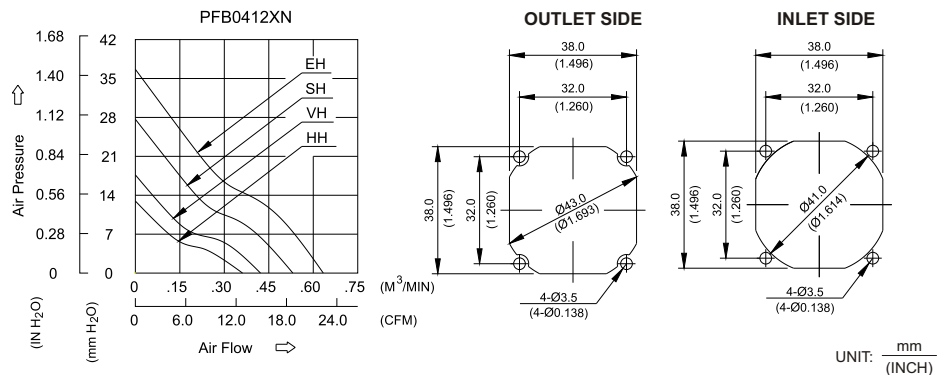
- * Bearing Type
Ball Bearings
- * Material
Impeller & Frame: Plastic (UL94V-0)
- * Lead Wires :
UL 1061 AWG #24 OR Equivalent
Red Wire Positive (+)
Black Wire Negative (-)
- * Weight : 47g (1.66 oz)

PFB 40 x 40 x 28 MM SERIES

DIMENSIONS DRAWING



P & Q CURVE (AT RATED VOLTAGE) ■ MOUNTING PANEL CUTOUT



| MODEL | | Rated Voltage | Operating Voltage Range | Rated Current | Rated Input Power | Speed | Maximum Air Flow | | Maximum Air Pressure | | Noise |
|--------------|-------------|---------------|-------------------------|---------------|-------------------|--------|---------------------|-------|----------------------|---------------------|-------|
| PART NO. | FUNCTION | VDC | VDC | Amp | Watt | R.P.M. | m ³ /min | CFM | mmH ₂ O | IN H ₂ O | dB-A |
| PFB0412HHN-B | -R00 / -F00 | 12 | 7.0 to 13.2 | 0.20 | 2.40 | 9500 | 0.361 | 12.76 | 12.94 | 0.510 | 38.8 |
| PFB0412VHN-B | -R00 / -F00 | 12 | 7.0 to 13.2 | 0.26 | 3.12 | 11000 | 0.422 | 14.91 | 17.62 | 0.694 | 43.5 |
| PFB0412SHN-B | -R00 / -F00 | 12 | 7.0 to 13.2 | 0.42 | 5.04 | 13800 | 0.530 | 18.75 | 27.69 | 1.090 | 51.5 |
| PFB0412EHN-B | -R00 / -F00 | 12 | 7.0 to 13.2 | 0.58 | 6.96 | 16000 | 0.618 | 21.83 | 36.33 | 1.431 | 54.5 |

* Function type is optional.
 * The max. air flow and the speed are measured in free air ; max. air pressure is measured at zero air flow.
 * Noise is measured in anechoic chamber in free air, one meter from intake side.
 * All readings are typical values at rated voltage.
 * Specifications are subject to change without notice.

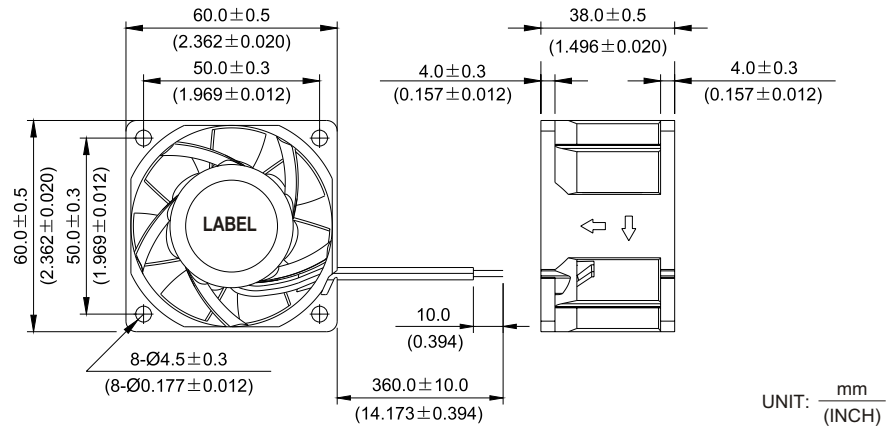
New



- * Bearing Type
Ball Bearings
- * Material
Impeller & Frame: Plastic (UL94V-0)
- * Lead Wires :
UL 1007 AWG #24 OR Equivalent
Red Wire Positive (+)
Black Wire Negative (-)
- * Weight : 130g (4.59 oz)

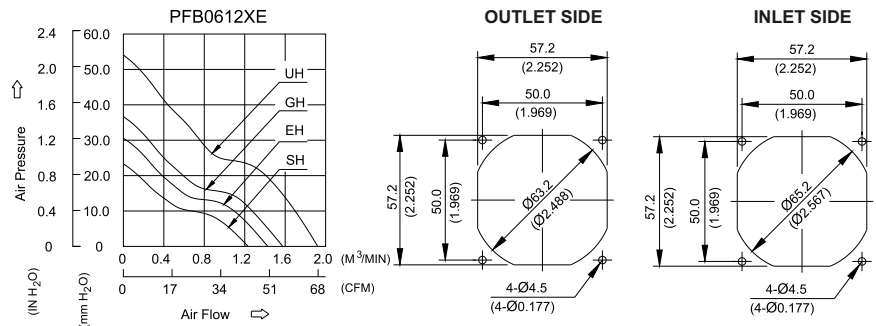
PFB 60 x 60 x 38 MM SERIES

■ DIMENSIONS DRAWING



UNIT: $\frac{\text{mm}}{(\text{INCH})}$

■ P & Q CURVE (AT RATED VOLTAGE) ■ MOUNTING PANEL CUTOUT



UNIT: $\frac{\text{mm}}{(\text{INCH})}$

| MODEL | | Rated Voltage | Operating Voltage Range | Rated Current | Rated Input Power | Speed | Maximum Air Flow | | Maximum Air Pressure | | Noise |
|------------|-------------|---------------|-------------------------|---------------|-------------------|--------|---------------------|-------|----------------------|---------------------|-------|
| PART NO. | FUNCTION | VDC | VDC | Amp | Watt | R.P.M. | m ³ /min | CFM | mmH ₂ O | IN H ₂ O | dB-A |
| PFB0612SHE | -R00 / -F00 | 12 | 7.0 to 13.2 | 0.48 | 5.76 | 8000 | 1.234 | 43.57 | 23.32 | 0.918 | 50.5 |
| PFB0612EHE | -R00 / -F00 | 12 | 7.0 to 13.2 | 0.63 | 7.56 | 9000 | 1.428 | 50.43 | 30.56 | 1.203 | 54.0 |
| PFB0612GHE | -R00 / -F00 | 12 | 7.0 To 13.2 | 0.85 | 10.20 | 10000 | 1.575 | 55.62 | 36.68 | 1.444 | 57.5 |
| PFB0612UHE | -R00 / -F00 | 12 | 7.0 To 13.2 | 1.40 | 16.80 | 12000 | 1.922 | 67.85 | 54.10 | 2.129 | 61.5 |

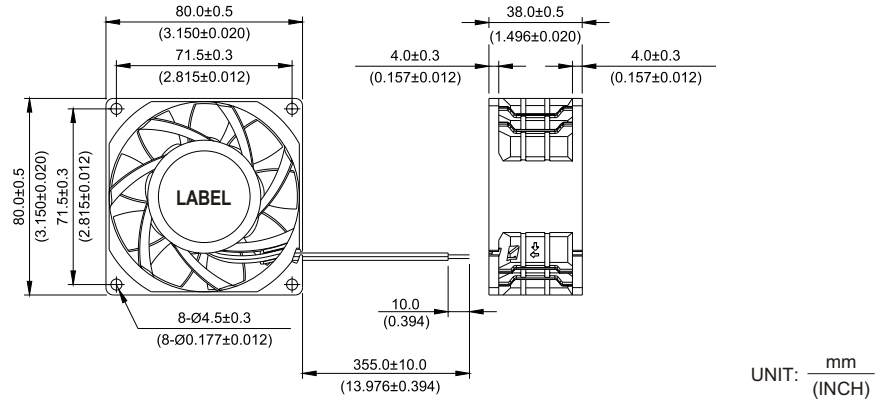
- * Function type is optional.
- * The max. air flow and the speed are measured in free air ; max. air pressure is measured at zero air flow.
- * Noise is measured in anechoic chamber in free air, one meter from intake side.
- * All readings are typical values at rated voltage.
- * Specifications are subject to change without notice.

New



PFB 80 x 80 x 38 MM SERIES

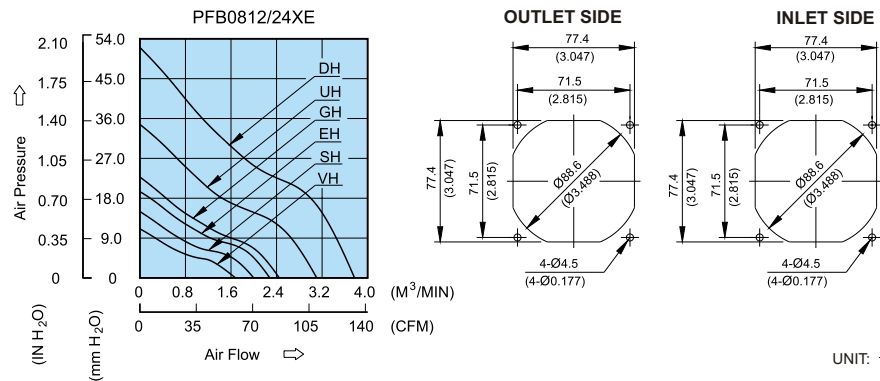
DIMENSIONS DRAWING



UNIT: $\frac{\text{mm}}{\text{(INCH)}}$

- * Bearing Type: Ball Bearings
- * Material: Plastic (UL94V-0)
- * Impeller & Frame: Plastic (UL94V-0)
- * Lead Wires : UL 1007 AWG #24 OR Equivalent
- * Red Wire Positive (+)
- * Black Wire Negative (-)
- * Weight : 205g (7.23 oz)

P & Q CURVE (AT RATED VOLTAGE) ■ MOUNTING PANEL CUTOUT



UNIT: $\frac{\text{mm}}{\text{(INCH)}}$

| MODEL | | Rated Voltage | Operating Voltage Range | Rated Current | Rated Input Power | Speed | Maximum Air Flow | | Maximum Air Pressure | | Noise |
|------------|-------------|---------------|-------------------------|---------------|-------------------|--------|---------------------|--------|----------------------|---------------------|-------|
| PART NO. | FUNCTION | VDC | VDC | Amp | Watt | R.P.M. | m ³ /min | CFM | mmH ₂ O | IN H ₂ O | dB-A |
| PFB0812VHE | -R00 / -F00 | 12 | 7.0 to 13.2 | 0.39 | 4.68 | 4200 | 1.649 | 58.23 | 10.70 | 0.421 | 45.1 |
| PFB0812SHE | -R00 / -F00 | 12 | 7.0 to 13.2 | 0.51 | 6.12 | 4900 | 1.967 | 69.49 | 14.53 | 0.571 | 49.3 |
| PFB0812EHE | -R00 / -F00 | 12 | 7.0 to 13.2 | 0.72 | 8.64 | 5600 | 2.243 | 79.23 | 19.50 | 0.767 | 53.0 |
| PFB0824EHE | -R00 / -F00 | 24 | 14.0 to 26.4 | 0.36 | 8.64 | | | | | | |
| PFB0812GHE | -R00 / -F00 | 12 | 7.0 to 13.2 | 0.85 | 10.20 | 6100 | 2.448 | 86.44 | 22.80 | 0.898 | 55.5 |
| PFB0824GHE | -R00 / -F00 | 24 | 14.0 to 26.4 | 0.45 | 10.80 | | | | | | |
| PFB0812UHE | -R00 / -F00 | 12 | 7.0 to 13.2 | 1.55 | 18.60 | 7500 | 3.038 | 107.30 | 34.75 | 1.368 | 61.0 |
| PFB0824UHE | -R00 / -F00 | 24 | 14.0 to 26.4 | 0.77 | 18.48 | | | | | | |
| PFB0812DHE | -R00 / -F00 | 12 | 7.0 to 13.2 | 2.75 | 33.00 | 9000 | 3.754 | 132.56 | 51.57 | 2.030 | 65.0 |
| PFB0824DHE | -R00 / -F00 | 24 | 14.0 to 26.4 | 1.35 | 32.40 | | | | | | |

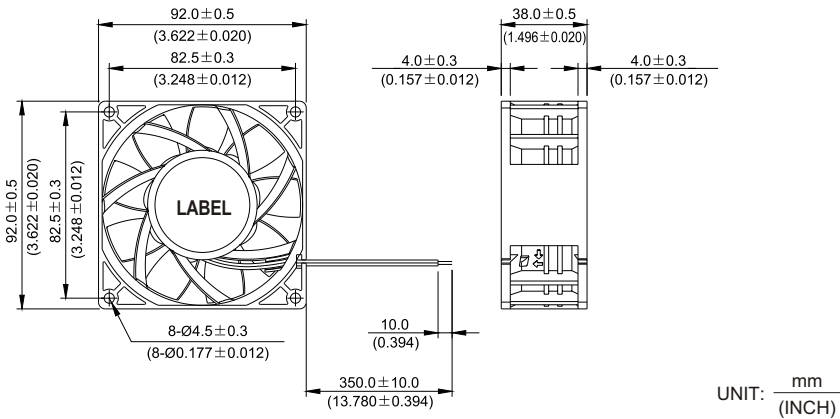
* Function type is optional.
 * The max. air flow and the speed are measured in free air ; max. air pressure is measured at zero air flow.
 * Noise is measured in anechoic chamber in free air, one meter from intake side.
 * All readings are typical values at rated voltage.
 * Specifications are subject to change without notice.

New



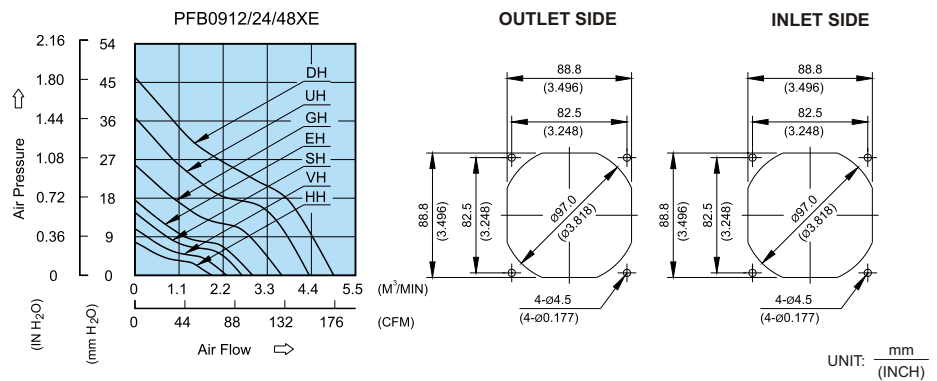
PFB 92 x 92 x 38 MM SERIES

DIMENSIONS DRAWING



- * Bearing Type: Ball Bearings
- * Material: UL 1007 AWG #24 OR Equivalent
- * Impeller & Frame: Plastic (UL94V-0)
- * Lead Wires: Red Wire Positive (+), Black Wire Negative (-)
- * Weight: 250g (8.82 oz)

P & Q CURVE (AT RATED VOLTAGE) MOUNTING PANEL CUTOUT



| MODEL | | Rated Voltage | Operating Voltage Range | Rated Current | Rated Input Power | Speed | Maximum Air Flow | | Maximum Air Pressure | | Noise |
|------------|-------------|---------------|-------------------------|---------------|-------------------|--------|---------------------|--------|----------------------|---------------------|-------|
| PART NO. | FUNCTION | VDC | VDC | Amp | Watt | R.P.M. | m ³ /min | CFM | mmH ₂ O | IN H ₂ O | dB-A |
| PFB0912HHE | -R00 / -F00 | 12 | 7.0 to 13.2 | 0.33 | 3.96 | 3200 | 1.933 | 68.26 | 7.76 | 0.305 | 43.5 |
| PFB0912VHE | -R00 / -F00 | 12 | 7.0 to 13.2 | 0.38 | 4.56 | 3800 | 2.287 | 80.77 | 10.88 | 0.428 | 46.2 |
| PFB0912SHE | -R00 / -F00 | 12 | 7.0 to 13.2 | 0.55 | 6.60 | 4400 | 2.668 | 94.22 | 14.67 | 0.578 | 51.7 |
| PFB0912EHE | -R00 / -F00 | 12 | 7.0 to 13.2 | 0.68 | 8.16 | 4800 | 2.936 | 103.67 | 17.56 | 0.691 | 54.0 |
| PFB0924EHE | -R00 / -F00 | 24 | 14.0 to 26.4 | 0.33 | 7.92 | | | | | | |
| PFB0948EHE | -R00 / -F00 | 48 | 28.0 to 56.0 | 0.21 | 10.08 | 6000 | 3.662 | 129.31 | 25.78 | 1.015 | 60.5 |
| PFB0912GHE | -R00 / -F00 | 12 | 7.0 to 13.2 | 1.22 | 14.64 | | | | | | |
| PFB0924GHE | -R00 / -F00 | 24 | 14.0 to 26.4 | 0.63 | 15.12 | | | | | | |
| PFB0948GHE | -R00 / -F00 | 48 | 28.0 to 56.0 | 0.36 | 16.80 | 7000 | 4.347 | 153.52 | 36.79 | 1.449 | 64.0 |
| PFB0912UHE | -R00 / -F00 | 12 | 7.0 to 13.2 | 1.96 | 23.52 | | | | | | |
| PFB0924UHE | -R00 / -F00 | 24 | 14.0 to 26.4 | 1.02 | 24.48 | 8000 | 4.957 | 175.03 | 46.21 | 1.819 | 66.5 |
| PFB0948UHE | -R00 / -F00 | 48 | 28.0 to 56.0 | 0.60 | 28.80 | | | | | | |
| PFB0912DHE | -R00 / -F00 | 12 | 7.0 to 13.2 | 3.10 | 37.20 | | | | | | |
| PFB0924DHE | -R00 / -F00 | 24 | 14.0 to 26.4 | 1.45 | 34.80 | | | | | | |

* Function type is optional.
 * The max. air flow and the speed are measured in free air; max. air pressure is measured at zero air flow.
 * Noise is measured in anechoic chamber in free air, one meter from intake side.
 * All readings are typical values at rated voltage.
 * Specifications are subject to change without notice.

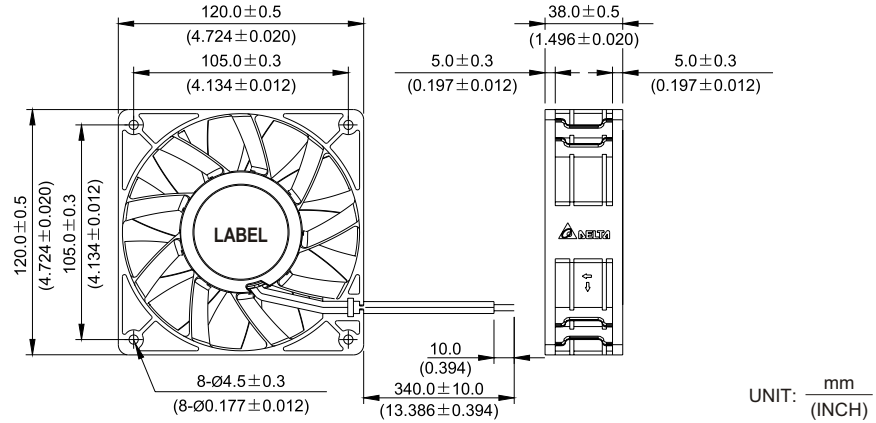
New



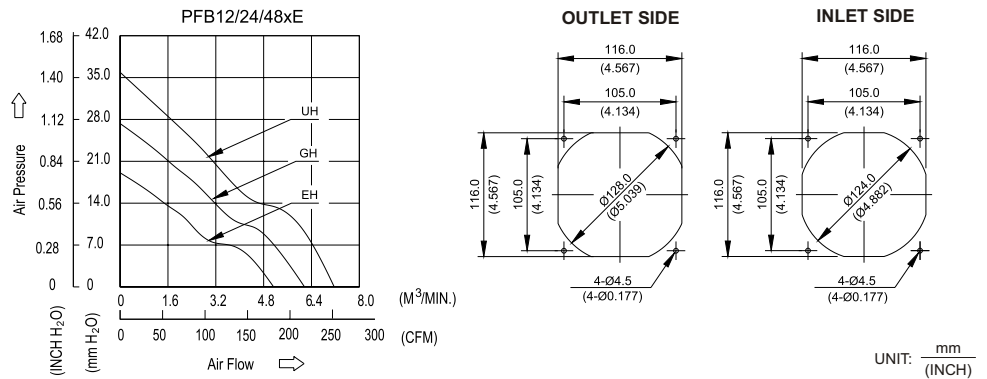
- * Bearing Type
Ball Bearings
- * Material
Impeller & Frame: Plastic (UL94V-0)
- * Lead Wires :
UL 1007 AWG #24 OR Equivalent
Red Wire Positive (+)
Black Wire Negative (-)
- * Weight : 380g (13.40 oz)

PFB 120 x 120 x 38 MM SERIES

DIMENSIONS DRAWING



P & Q CURVE (AT RATED VOLTAGE) ■ MOUNTING PANEL CUTOUT



| MODEL | | Rated Voltage | Operating Voltage Range | Rated Current | Rated Input Power | Speed | Maximum Air Flow | | Maximum Air Pressure | | Noise |
|------------|-------------|---------------|-------------------------|---------------|-------------------|--------|---------------------|--------|----------------------|---------------------|-------|
| PART NO. | FUNCTION | VDC | VDC | Amp | Watt | R.P.M. | m ³ /min | CFM | mmH ₂ O | IN H ₂ O | dB-A |
| PFB1212EHE | -R00 / -F00 | 12 | 8.0 to 13.2 | 1.60 | 19.20 | 4000 | 5.133 | 181.27 | 19.078 | 0.751 | 59.0 |
| PFB1224EHE | -R00 / -F00 | 24 | 14.0 to 26.5 | 0.90 | 21.60 | | | | | | |
| PFB1248EHE | -R00 / -F00 | 48 | 30.0 to 56.0 | 0.45 | 21.60 | | | | | | |
| PFB1212GHE | -R00 / -F00 | 12 | 8.0 to 13.2 | 2.70 | 32.40 | 4800 | 6.167 | 217.80 | 27.308 | 1.075 | 64.0 |
| PFB1224GHE | -R00 / -F00 | 24 | 14.0 to 26.5 | 1.35 | 32.40 | | | | | | |
| PFB1248GHE | -R00 / -F00 | 48 | 30.0 to 56.0 | 0.68 | 32.64 | | | | | | |
| PFB1224UHE | -R00 / -F00 | 24 | 14.0 to 26.5 | 2.00 | 48.00 | 5500 | 7.160 | 252.85 | 35.877 | 1.412 | 66.5 |
| PFB1248UHE | -R00 / -F00 | 48 | 30.0 to 56.0 | 1.00 | 48.00 | | | | | | |

* Function type is optional.
 * The max. air flow and the speed are measured in free air ; max. air pressure is measured at zero air flow.
 * Noise is measured in anechoic chamber in free air, one meter from intake side.
 * All readings are typical values at rated voltage.
 * Specifications are subject to change without notice.