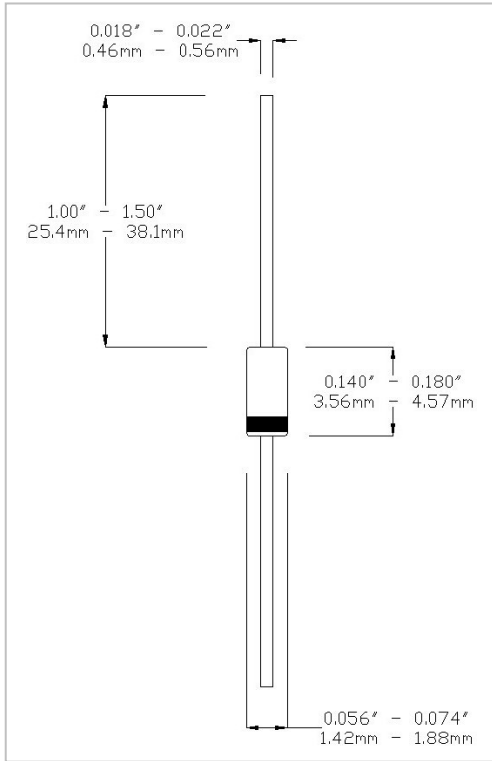


1N4148-1

FEATURES

- 1N4148-1 AVAILABLE IN JAN, JANTX, AND JANTXV PER MIL-PRF-19500/116
- SWITCHING DIODE
- METALLURGICALLY BONDED
- HERMETICALLY SEALED
- DOUBLE PLUG CONSTRUCTION



MAXIMUM RATINGS AT 25 °C

Operating Temperature:	-65°C to +200°C
Storage Temperature:	-65°C to +200°C
Surge Current A, sine 8.3mS:	2.0A
Surge Current B, square 8.3mS:	1.41A
Total Power Dissipation:	500mW
Operating Current:	200mA, $T_A = +25^\circ\text{C}$
Derating Factor:	1.14mA/°C above $T_A = +25^\circ\text{C}$
D.C. Reverse Voltage (VRWM):	75V

DC ELECTRICAL CHARACTERISTICS

V_F				I_R				V_{BR}			
Ambient (°C)	I_F mA	Min V	Max V	Ambient (°C)	V (dc)	Min μA	Max μA	Ambient (°C)	I_R μA	Min V	Max V
25	10	-	0.8	25	20	-	0.025	25	100	100	-
25	100	-	1.2	25	75	-	0.500				
150	10	-	0.8	150	20	-	35.0				
-55	100	-	1.3	150	75	-	75.0				

DESIGN DATA

Case: Hermetically sealed glass package per MIL-PRF-19500/116 DO-35 outline

Lead Material: Copper clad steel

Lead Finish: Tin/Lead

Thermal Resistance ($R_{\theta JL}$): 250°C/W maximum at $L=0.375"$

Thermal Impedance ($Z_{\theta JX}$): 70°C/W maximum

Marking: Alpha numeric.

Polarity: Cathode end is banded.

AC ELECTRICAL CHARACTERISTICS AT 25°C

	Symbol	Min	Max
Capacitance @ 0V	pF	-	4
Capacitance @ 1.5V	pF	-	2.8
T_{RR} @ $I_F = I_R = 10\text{mA}$, $I_{Rec} = 1\text{mA}$.	nsec	-	5
T_{FR} @ $I_F = 50\text{mA}$	nsec	-	20
V_{FR} @ $I_F = 50\text{mA}$	V(pk)	-	5



WWW.MICROSEMI.COM

IRELAND - GORT ROAD, ENNIS, CO. CLARE

PHONE: +353 65 6840044

TOLL FREE: +186 62 702434

FAX: +353 65 6822298

U.S.A. DOMESTIC SALES CONTACT

PHONE: (617) 926 0404

TOLL FREE: 1 800 666 2999