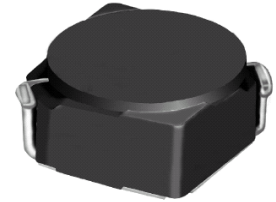
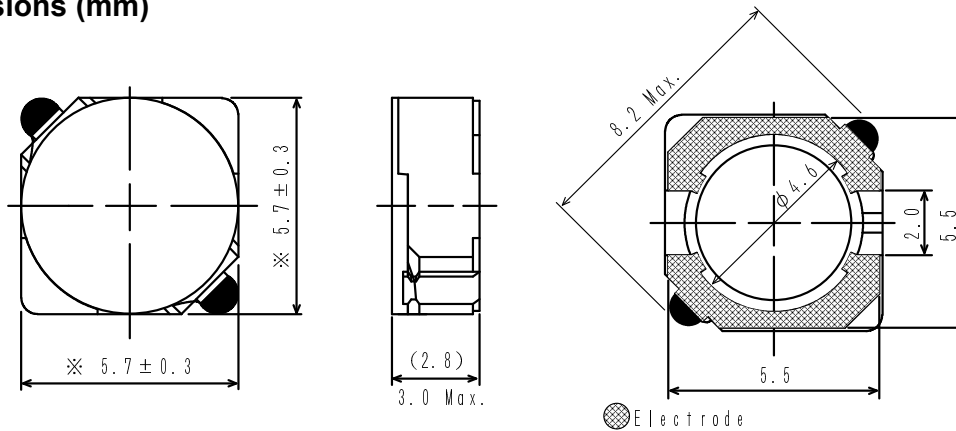
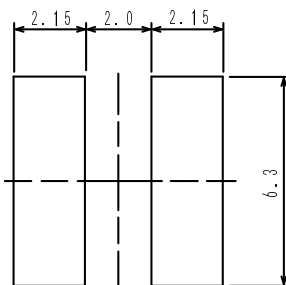


**Type: CDRH5D28**
**◆ Product Description**

- 6.0×6.0mm Max.(L×W), 3.0mm Max. Height.
- Inductance range: 2.5~100 μ H.
- Rated current range: 0.42~2.6A.
- In addition to the standards versions shown here, custom inductors are also available to meet your exact requirements.


**◆ Feature**

- Magnetically shielded construction.
- Storage temperature range: -40°C~+100°C.
- Operating temperature range: -40°C~+100°C (Including coil's self temperature rise).
- Ideally used in Notebook PC, HDD, DSC/DVC, LCD TV, Game machine etc as DC-DC converter inductors.
- RoHS compliance and Halogen Free.

**◆ Dimensions (mm)**

**◆ Land Pattern (mm)**


**Type: CDRH5D28**
**◆ Specification**

Part Name ※	Stamp	Inductance ( $\mu$ H) 100kHz/1V	D.C.R. ( $\Omega$ ) [Max.] (Typ.) (at 20°C)	Rated Current (A) ※1
CDRH5D28NP-2R5N□	2R5	2.5 ± 30%	18m (13m)	2.60
CDRH5D28NP-3R0N□	3R0	3.0 ± 30%	24m (18m)	2.40
CDRH5D28NP-4R2N□	4R2	4.2 ± 30%	31m (23m)	2.20
CDRH5D28NP-5R3N□	5R3	5.3 ± 30%	38m (28m)	1.90
CDRH5D28NP-6R2N□	6R2	6.2 ± 30%	45m (33m)	1.80
CDRH5D28NP-8R2N□	8R2	8.2 ± 30%	53m (39m)	1.60
CDRH5D28NP-100N□	100	10 ± 30%	65m (48m)	1.30
CDRH5D28NP-120N□	120	12 ± 30%	76m (56m)	1.20
CDRH5D28NP-150N□	150	15 ± 30%	103m (76m)	1.10
CDRH5D28NP-180N□	180	18 ± 30%	110m (82m)	1.00
CDRH5D28NP-220N□	220	22 ± 30%	122m (90m)	0.90
CDRH5D28NP-270N□	270	27 ± 30%	175m(130m)	0.85
CDRH5D28NP-330N□	330	33 ± 30%	189m(140m)	0.75
CDRH5D28NP-390N□	390	39 ± 30%	212m(157m)	0.70
CDRH5D28NP-470N□	470	47 ± 30%	250m(185m)	0.62
CDRH5D28NP-560N□	560	56 ± 30%	305m(226m)	0.58
CDRH5D28NP-680N□	680	68 ± 30%	355m(263m)	0.52
CDRH5D28NP-820N□	820	82 ± 30%	463m(343m)	0.46
CDRH5D28NP-101N□	101	100 ± 30%	520m(385m)	0.42

**※ Description of part name**

CDRH5D28NP-2R5N□

- B Box
- C Carrier Tape

※1. Rated current: The DC current at which the inductance decreases to 65% of it's nominal value or when  $\Delta t=30^{\circ}\text{C}$ , whichever is lower ( $T_a=20^{\circ}\text{C}$ ).