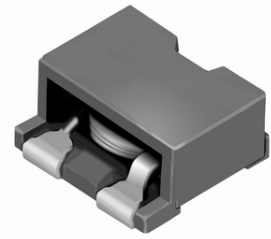
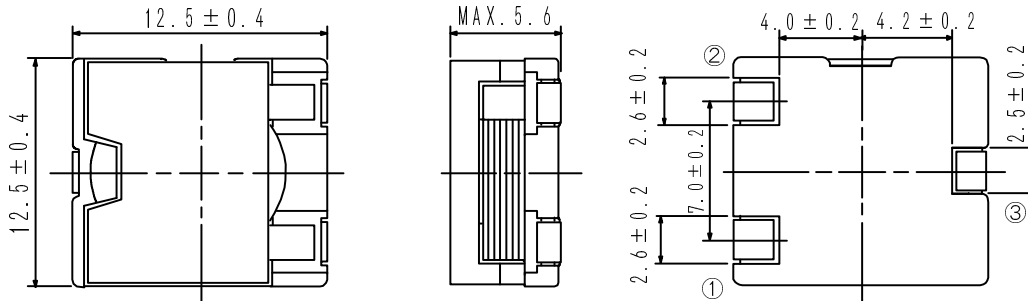
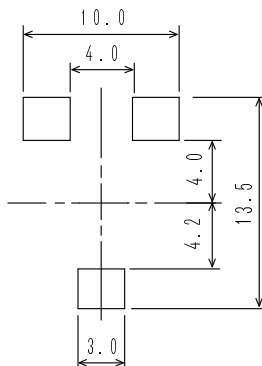
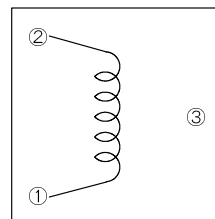


**Type: CEP125**
**◆ Product Description**

- 12.9×12.9mm Max. (L×W), 5.6mm Max. height
- Standard Type, High Power Type, Ultra Power Type are available.
- Inductance range : 0.68~10μH(Standard type) ;  
0.47~7.2μH(High Power type); 0.35~5.6μH (Ultra Power Type).
- Saturation Current range: 5.0~20.4A(Standard type) ;  
7.8~28.8A (High Power type); 9.5~35.0A (Ultra Power Type).
- Temperature rise current range 7.6~19.5A.
- Custom design is available.


**◆ Feature**

- Mn-Zn core used, Flat wire used.
- Super high current Inductors, ideally used in portable computer CPU power supply.
- RoHS Compliance.
- Halogen free is available.

**◆ Dimensions (mm)**

**◆ Land Pattern (mm)**

**◆ Schematics (Bottom)**


**Type: CEP125**
**◆ Specification**
**1. Standard Type**

Part Name ※	Stamp	Inductance ( $\mu$ H) 100kHz	D.C.R.(m $\Omega$ ) Max.(Typ.) ( 20°C)	Saturation Current (A) ※1		Temperature Rise Current (A) ※2
				( 20°C)	( 100°C)	
CEP125NP-0R6N□-D	0R6ND	0.68 $\pm$ 30%	1.5(1.2)	20.4	17.6	19.5
CEP125NP-1R5M□-D	1R5MD	1.50 $\pm$ 20%	2.2(1.8)	14.0	11.8	18.0
CEP125NP-2R5M□	2R5M	2.5 $\pm$ 20%	3.4(2.8)	10.0	8.8	15.5
CEP125NP-4R0M□	4R0M	4.0 $\pm$ 20%	5.4(4.5)	8.3	7.2	12.5
CEP125NP-6R0M□	6R0M	6.0 $\pm$ 20%	8.0(6.6)	6.7	5.8	9.9
CEP125NP-8R2M□	8R2M	8.2 $\pm$ 20%	11.4(9.5)	5.8	5.1	8.2
CEP125NP-100M□	100M	10 $\pm$ 20%	13.5(11.2)	5.0	4.6	7.6

**2. High Power Type**

Part Name ※	Stamp	Inductance ( $\mu$ H) 100kHz	D.C.R. (m $\Omega$ ) Max.(Typ.) ( 20°C)	Saturation Current (A) ※1		Temperature Rise Current (A) ※2
				( 20°C)	( 100°C)	
CEP125NP-0R4N□-HD	0R4ND	0.47 $\pm$ 30%	1.5(1.2)	28.8	25.6	19.5
CEP125NP-1R0M□-HD	1R0MD	1.0 $\pm$ 20%	2.2(1.8)	20.0	17.4	18.0
CEP125NP-1R8M□-H	1R8MH	1.8 $\pm$ 20%	3.4(2.8)	15.3	12.9	15.5
CEP125NP-2R8M□-H	2R8MH	2.8 $\pm$ 20%	5.4(4.5)	12.3	10.2	12.5
CEP125NP-4R0M□-H	4R0MH	4.0 $\pm$ 20%	8.0(6.6)	10.3	8.6	9.9
CEP125NP-5R6M□-H	5R6MH	5.6 $\pm$ 20%	11.4(9.5)	8.8	7.7	8.2
CEP125NP-7R2M□-H	7R2MH	7.2 $\pm$ 20%	13.5(11.2)	7.8	6.6	7.6

**3. Ultra Power Type**

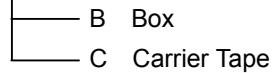
Part Name ※	Stamp	Inductance ( $\mu$ H) 100kHz	D.C.R.(m $\Omega$ ) Max.(Typ.) (at 20°C)	Saturation Current (A) ※1		Temperature Rise Current (A) ※2
				at 20°C	at 100°C	
CEP125NP-0R3N□-UD	0R3ND	0.35 $\pm$ 30%	1.5(1.2)	35.0	32.0	19.5
CEP125NP-0R8N□-UD	0R8ND	0.8 $\pm$ 30%	2.2(1.8)	25.7	21.8	18.0
CEP125NP-1R4M□-U	1R4MU	1.4 $\pm$ 20%	3.4(2.8)	19.2	16.4	15.5
CEP125NP-2R2M□-U	2R2MU	2.2 $\pm$ 20%	5.4(4.5)	14.8	12.8	12.5
CEP125NP-3R2M□-U	3R2MU	3.2 $\pm$ 20%	8.0(6.6)	12.8	10.9	9.9
CEP125NP-4R3M□-U	4R3MU	4.3 $\pm$ 20%	11.4(9.5)	11.0	9.1	8.2
CEP125NP-5R6M□-U	5R6MU	5.6 $\pm$ 20%	13.5(11.2)	9.5	7.8	7.6

Please refer to the sales offices on our website for a representative near you

[www.sumida.com](http://www.sumida.com)

**Type: CEP125****※ Description of part name**

CEP125NP- 0R6N□-D/UD



B Box  
C Carrier Tape

- ※1. Saturation current: The DC current at which the inductance decreases to 65%  
(for the inductance tolerance : $\pm 30\%$ ) or 75% (for the inductance tolerance: $\pm 20\%$ ) of its nominal.
- ※2. Temperature rise current: The DC current at which the temperature rise is  $\Delta t=40^{\circ}\text{C}$  ( $T_a=20^{\circ}\text{C}$ ).