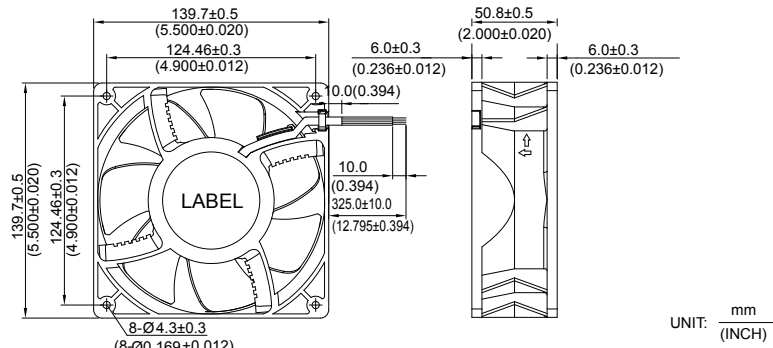


*New*



# TFA 140 x 140 x 50.8 MM SERIES

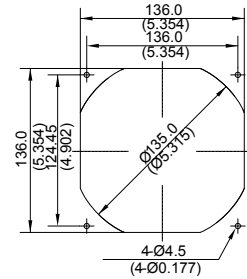
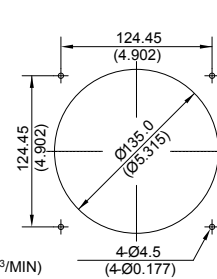
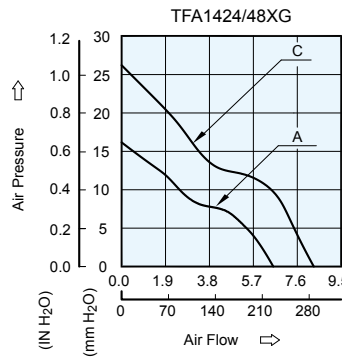
## DIMENSIONS DRAWING



- \* Bearing Type  
Ball Bearings
- \* Material  
Impeller: Plastic (UL 94V-0)  
Frame: Die-cast Aluminum
- \* Lead Wires:  
UL 1007 AWG #24 OR Equivalent  
Red Wire Positive(+)  
Black Wire Negative(-)  
Blue Wire (F00)  
Yellow Wire Speed Control (PWM)
- \* Weight : 715g (25.03 oz)

## P & Q CURVE (AT RATED VOLTAGE)

## MOUNTING PANEL CUTOUT



UNIT:  $\frac{\text{mm}}{\text{(INCH)}}$

MODEL		Rated Voltage	Operating Voltage Range	Input Current	Input Power	Speed	Maximum Air Flow		Maximum Air Pressure		Noise
PART NO.	FUNCTION	VDC	VDC	Amp	Watt	R.P.M.	m <sup>3</sup> /min	CFM	mmH <sub>2</sub> O	IN H <sub>2</sub> O	dB-A
<b>TFA1424AG</b>	PWM/-F00	24	20.0 to 26.4	0.70	16.80	3300	6.425	226.88	16.21	0.638	56.0
<b>TFA1448CG</b>	PWM/-F00	48	30.0 to 60.0	0.72	34.56	4200	8.177	288.76	26.27	1.034	62.5

- \* Function type is optional.
- \* The max. air flow and the speed are measured in free air ; max. air pressure is measured at zero air flow.
- \* Noise is measured in anechoic chamber in free air, one meter from intake side.
- \* All readings are typical values at rated voltage.
- \* Specifications are subject to change without notice.