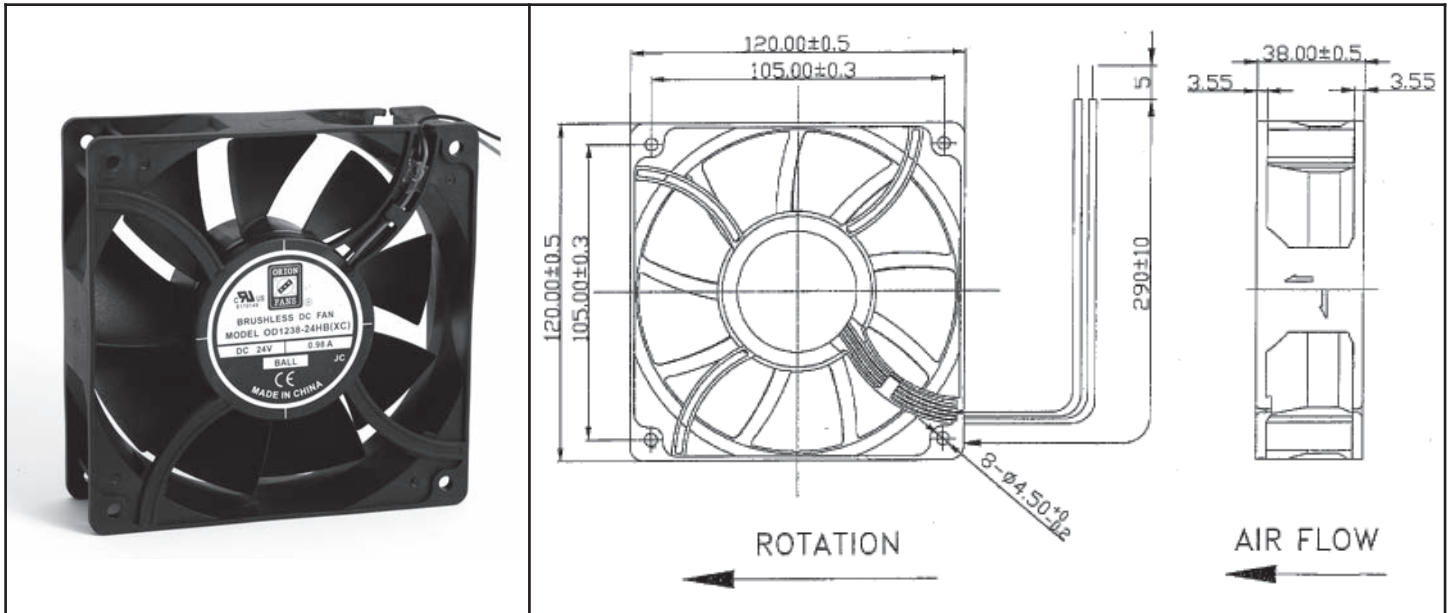


OD1238 - 'XC Series' High Performance



High Performance DC Fan
120x38mm (4.7"x 1.5")



Frame & Impeller	PBT, UL94V-O plastic	Available Options: Tachometer (Frequency Generator) Alarm (Rotation Detector) Thermistor (Thermal Speed Control) Lead or hub mounted	
Connection	2x Lead wires 24AWG		
Motor	Brushless DC, auto restart, polarity protected		
Bearing System	Dual ball bearing		
Insulation Resistance	10M ohm between leadwire and frame (500VDC)		
Dielectric Strength	1 second at 500 VAC, max leakage - 500 MicroAmp		
Temperature Range	-10C ~ +70C		
Life (L10)	65,000 hours (45C)	m1	

Model Number	Speed (RPM)	Airflow (CFM)	Noise (dB)	Volts DC	Input Power (Watts)	Amps	Max. Static Pressure (H2O)
OD1238-12HB-XC	4300	200	61	12	23	1.95	0.64
OD1238-12MB-XC	3800	175	57	12	18	1.50	0.51
OD1238-12LB-XC	3200	150	52	12	10	0.87	0.38
OD1238-24HB-XC	4300	200	61	24	19	0.98	0.64
OD1238-24MB-XC	3800	175	57	24	16	0.68	0.51
OD1238-24LB-XC	3200	150	52	24	9	0.42	0.38
OD1238-24LLB-XC	2800	130	48	24	7	0.30	0.29
OD1238-48HHB-XC	4700	220	63	48	32	0.68	0.75
OD1238-48HB-XC	4300	200	61	48	25	0.52	0.64
OD1238-48MB-XC	3800	175	57	48	17	0.36	0.51
OD1238-48LB-XC	3200	150	52	48	11	0.22	0.38
OD1238-48LLB-XC	2800	130	48	48	9	0.18	0.29