

OD8025 Series

DC



80x80x25mm (3.15"x 3.15"x 1.0")



OPERATING TEMPERATURE

Ball Bearing
-20C ~ +70C
Sleeve Bearing
-10C ~ +50C

FRAME & IMPELLER

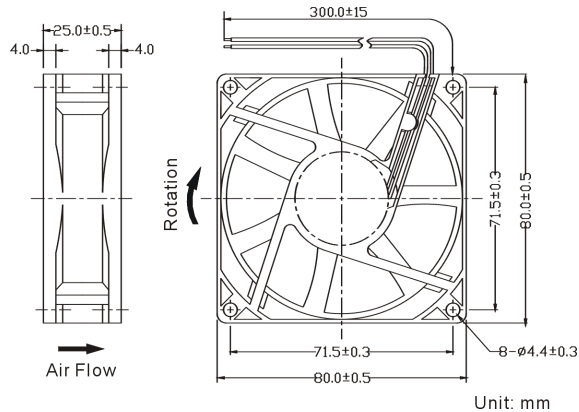
PBT, UL94V-0 Thermoplastic

POWER CONNECTION

Two lead wires 300mm (12")

AVAILABLE OPTIONS

Tachometer
Locked rotor Alarm



FINGER GUARD: G80-18
PLASTIC GUARD: G80P
WIRE MESH GUARD: WMG80M
FILTER KIT: GRM80-30,
GRM80-45

MODEL NUMBER	SPEED (RPM)	AIRFLOW (CFM)	NOISE (dB)	VOLTS DC	VOLTAGE RANGE	AMPS	MAX. STATIC PRESSURE (iH ₂ O)
OD8025-05H*	2800	35	32	05	4~7	0.28	0.22
OD8025-05M*	2200	30	27	05	4~7	0.20	0.16
OD8025-05L*	1800	22	21	05	4~7	0.15	0.10
OD8025-12H*	3300	40	33	12	7~17	0.18	0.23
OD8025-12M*	2800	32	28	12	7~17	0.15	0.16
OD8025-12L*	2000	22	21	12	7~17	0.12	0.10
OD8025-24H*	3300	40	33	24	12~28	0.12	0.23
OD8025-24M*	2800	32	28	24	12~28	0.10	0.16
OD8025-24L*	2000	22	21	24	12~28	0.08	0.10
OD8025-48HB	4200	42	33	48	32~56	0.05	0.25

* Indicate "B" to specify Ball bearing or "S" to specify Sleeve bearing

MOTOR

Brushless DC, Impedance and polarity protected, auto restart

INSULATION RESISTANCE

Min. 10M at 500VDC

DIELECTRIC STRENGTH

1 minute at 500VAC / 1 second, max leakage 500 microamp

LIFE EXPECTANCY (L10)

Ball Bearing 60,000 hrs
Sleeve Bearing 30,000 hrs

