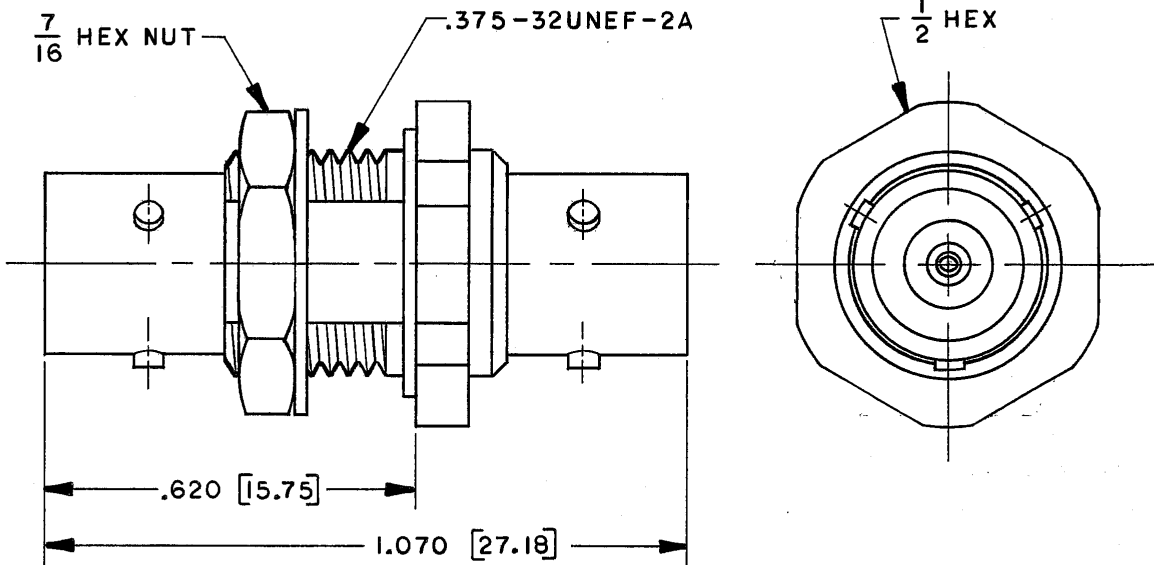


RECOMMENDED
PANEL CUTOUT
SCALE: 2/1

REV		EO	DESCRIPTION	DWN	APPROVED	DATE
REVISIONS			3000-0038		SH 1	



4. MAX PANEL THK .190 [4.83]
3. FEMALE SUBMINIATURE CONCENTRIC TWINAX/TRIAX BULKHEAD FEED THRU JACK (TPS STYLE)
2. FINISH: TFS-1A (NICKEL)
1. ALL DIM ARE REF IN INCHES AND [MM]

NEXT ASSY

QTY	DESCRIPTION		PART NUMBER	ITEM
	TOL UNLESS SPECIFIED .XX ± .XXX ± .XXXX ± ANGLES ±		TROMPETER ELECTRONICS, INC.	BJ158
DWN	JFD	8-16-78	MATERIAL	CODE IDENT
CHK	<i>JFD</i>	8-18-78	—	14949
ENGR	<i>FB</i>	8-23-78	SCALE 4/1	DATE 8-23-78
APPR	<i>JFD</i>	8-23-78		DRAWING NO. 3000-0038
				REV
				SHEET 1 OF 2