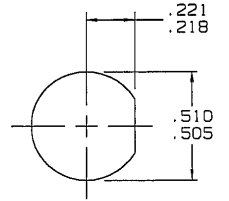
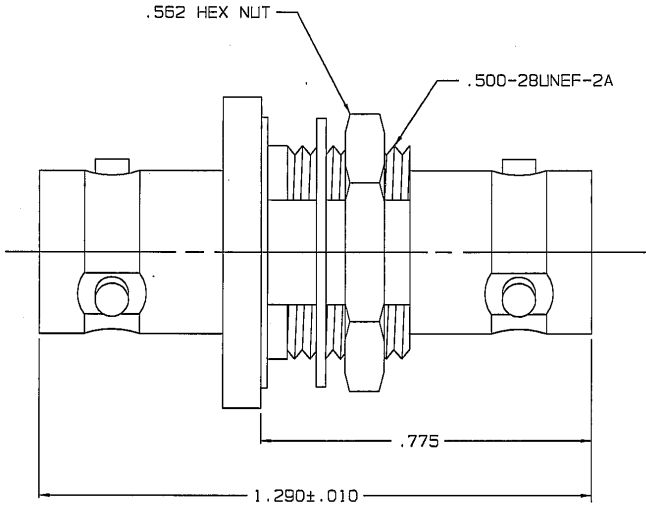
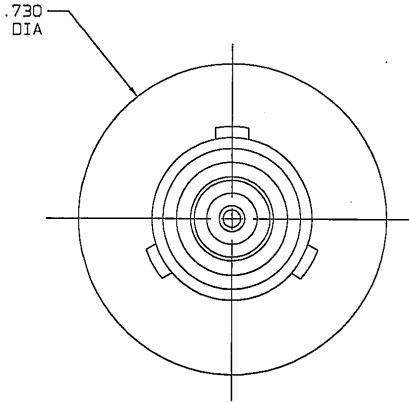


DATA CONTAINED IN THIS DOCUMENT IS PROPRIETARY TO TROMPETER ELECTRONICS, INC. AND SHALL NOT BE DISCLOSED, COPIED OR USED FOR PROCUREMENT OR MANUFACTURE WITHOUT EXPRESS WRITTEN PERMISSION OF TROMPETER ELECTRONICS, INC.

REVISIONS		305-0063	SH 1
REV	DESCRIPTION	DATE	APPROVED
F	REVISED PER ECO 14521	4-30-02	MM/h

**RED INDICATES ORIGINAL**



RECOMMENDED  
PANEL CUTOUT  
SCALE: 2/1

5. MATERIAL & CONSTRUCTION: MEET THE REQUIREMENTS OF MIL-C-49142 WHERE APPLICABLE
4. DIELECTRIC WITHSTANDING VOLTAGE: 500 V COMMON MODE VOLTAGE BETWEEN CIRCUITS
3. LEAK RATE:  $1 \times 10^{-8}$  CC/SEC MAX OF TRACER GAS AT ATMOSPHERIC PRESSURE
2. HERMETICALLY SEALED TWINAX/TRIAX FEED THRU ADAPTER FOR MOUNTING IN BULKHEAD .187 THK MAX
1. FINISH: TFS-1A (NICKEL)

<small>INTERPRET DRAWING PER MIL-STD-100 DIMENSIONS ARE IN INCHES AND INCLUDE FINISH THICKNESS UNLESS OTHERWISE SPECIFIED</small>		<small>TOL: UNLESS SPECIFIED -XX .XXX ± .005 .XXXX</small>				
<small>DRAWN</small> AAH	<small>DATE</small> 4-24-02	<small>MATERIAL:</small>	<small>ANGLES</small>		<small>TITLE:</small> BJ78HS	
<small>CHECKED</small> MM/h	<small>DATE</small> 4-26-02	<small>FINISH:</small>	<small>SIZE</small> A	<small>CAGE CODE</small> 14949	<small>DRAWING NO.</small> 305-0063	<small>REV.</small> F
<small>QUALITY</small> MM/h	<small>DATE</small> 4-28-02	<small>SCALE</small> 4/1	<small>DATE:</small> 5-5-71	<small>SHEET</small> 1 OF 2		
<small>APPROVED</small> MM/h	<small>DATE</small> 4/26/02	<small>DO NOT SCALE DWG</small>				
<small>NEXT ASSY</small>	<small>CAD FILE NO.</small> 305-0063E1					