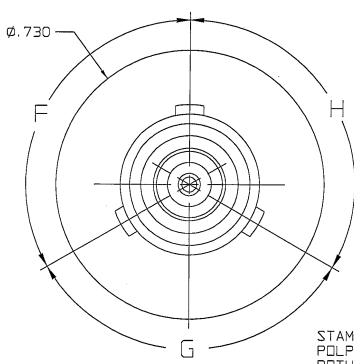


POLARIZATION CHART			
KEYING LETTER	F DEGREES	G DEGREES	H DEGREES
T	100°	150°	110°
U	120°	130°	110°
V	115°	130°	115°
W	125°	110°	125°
X	130°	100°	130°
Y	110°	140°	110°
Z	100°	160°	100°
S	135°	135°	90°
NONE	120°	120°	120°

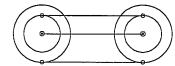
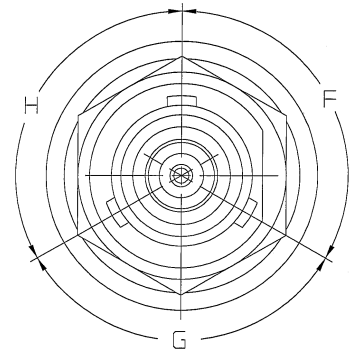
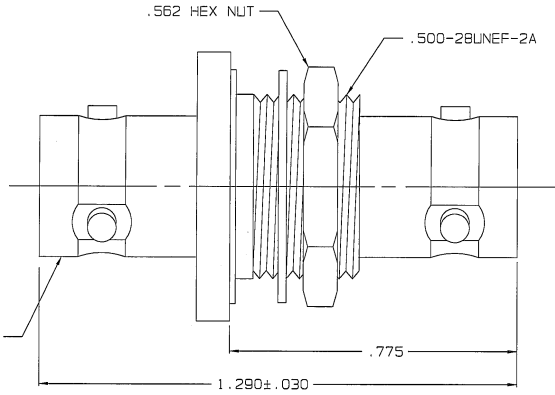
DATA CONTAINED IN THIS DOCUMENT IS THE PROPERTY OF TROMPETER ELECTRONICS INC. AND SHALL BE UNCLASSIFIED, DOWNGRATED AND DECLASSIFIED AS AUTHORIZED BY THE SECRETARY OF DEFENSE UNDER EXECUTIVE ORDER 11652, 11735 AND 11935, UNLESS INDICATED OTHERWISE BY THE SECRETARY OF DEFENSE.

REVISIONS		3-0002	SH 1
REV	DESCRIPTION	DATE	APPROVED
P	REVISED PER ECD 15112	7/10/03	WJ

RED INDICATES ORIGINAL

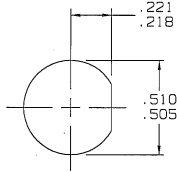


STAMPED POLPRIZATION KEY BOTH ENDS



SCHEMATIC

- EXAMPLE OF COMPLETE MODEL NO:
 BASIC MODEL NO. BJ78 KEY LTR (POLARIZATION) Y
- CONCENTRIC TWINAX/TRIAX TRB BULKHEAD MOUNT FEEDTHRU RECEPTACLE
- MAX PANEL THK .187
- FINISH: TFS-1A (NICKEL)
- ALL DIM ARE IN INCHES



RECOMMENDED
 PANEL CUTOUT
 SCALE: 2/1

INQUIRY PHONE # 813-751-1111 DIMENSIONS ARE IN INCHES UNLESS OTHERWISE SPECIFIED FINISH: TFS-1A (NICKEL) DATE: 7/10/03 DRAWN: WJ CHECKED: WJ DATE: 7/10/03 PART NO: 14949	TOL: UNLESS SPECIFIED .XX .XXX .XXXX ANGLES MATERIAL: FINISH: TITLE: BJ78 SIZE: B CASE CODE: 14949 DRAWING NO.: 3-0002 SCALE: 4/1 DATE: 1-31-01 SHEET: 1C	
NEXT ASSY: 15112 DO NOT SCALE DIM	REV. P	