

806-960/1710-2170 MHz Radome Omni 2.5/4 dBi Omnidirectional Antenna

Pulse Part Number: W5013



Electrical Specifications

Frequency [MHz]		806-960/1710-2170
Nominal Impedance [Ω]		50
VSWR [Max]		2.5:1
Gain 806-960 [dBi avg]		2.5
Gain 1710-2170 [dBi avg]		4
Radiation Pattern -3 dB beamwidth	Horizontal Plane	Omni-directional
	Vertical Plane 806-960 [$^{\circ}$ avg]	53
	Vertical Plane 1710-2170 [$^{\circ}$ avg]	39
Polarization		Vertical
Power Withstanding [W]		20
Connector Type		N Male

Mechanical Specifications

Radome	Pultruded Fiberglass, UV- Protected
Plastic Cap	Luran ASA
Ingress Protection	IP 67
Color	Off White
Weight [g]	228
Wind-loading [Mph]	125
Overall length ["]	15.29

Environmental Specifications

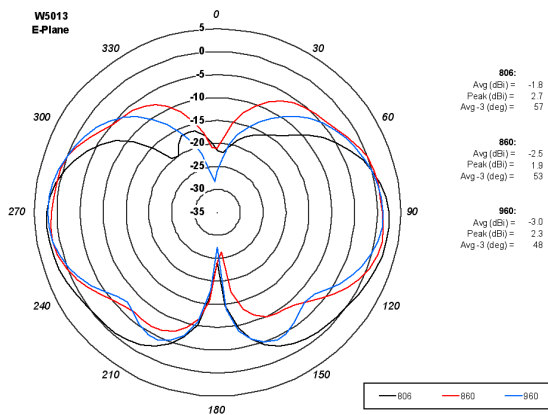
Operating temperature [$^{\circ}$ C]	-40/+85
---------------------------------------	---------

806-960/1710-2170 MHz Radome Omni 2.5/4 dBi Omnidirectional Antenna

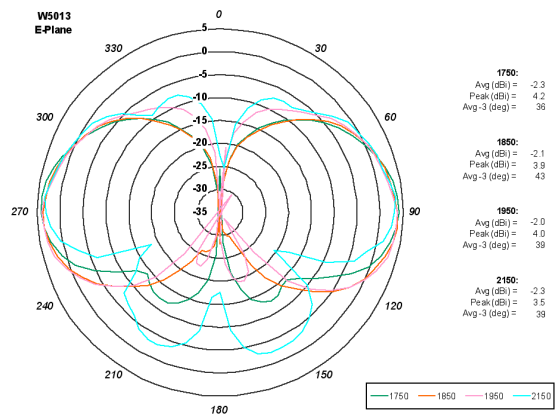
Pulse Part Number: W5013

Curves

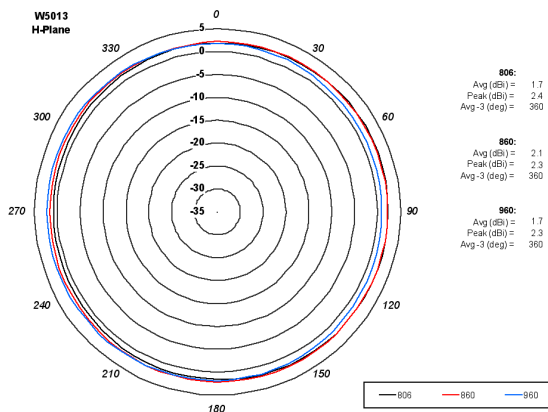
Vertical plane 806-960



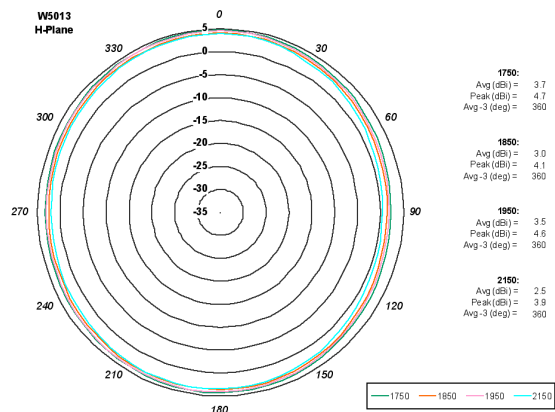
Vertical plane 1710-2170



Horizontal plane 806-960



Horizontal plane 1710-2170



Pulse Worldwide Headquarters
 12220 World Trade Drive
 San Diego, CA 92128, United States
 Tel. 858 674 8100
 Fax 858 674 8262
www.pulseeng.com/antennas

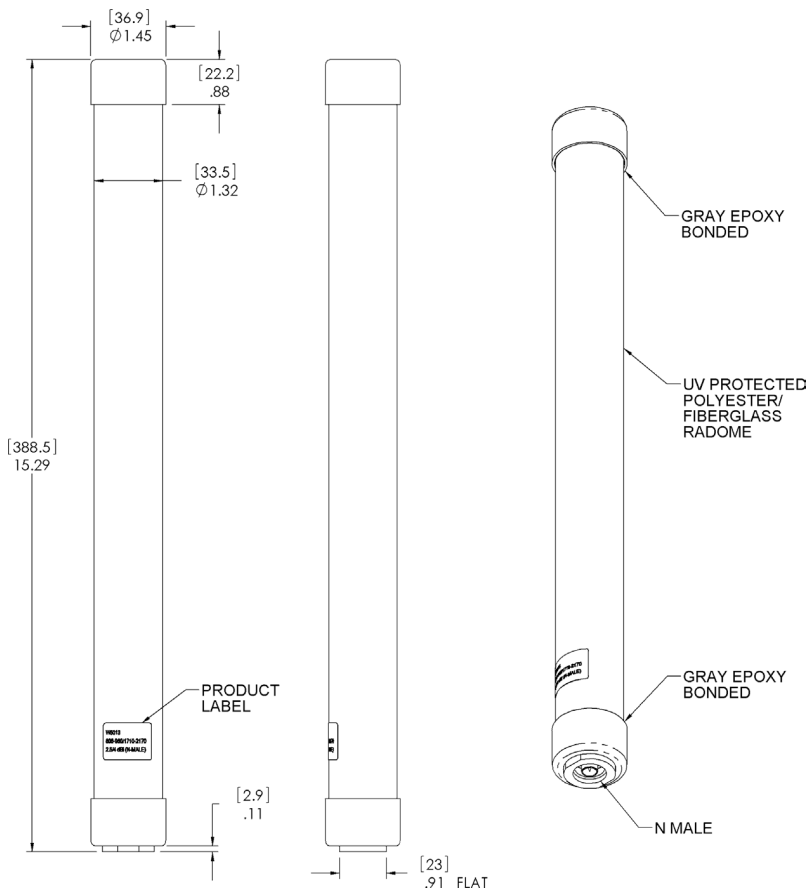
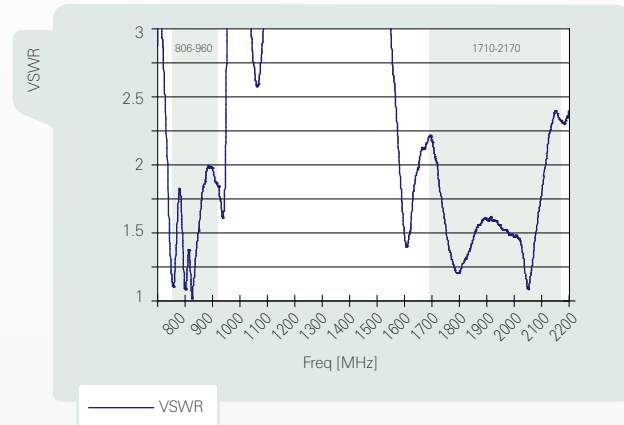


© 2010. All Rights Reserved.

806-960/1710-2170 MHz Radome Omni 2.5/4 dBi Omnidirectional Antenna

Pulse Part Number: W5013

VSWR



Pulse Worldwide Headquarters
 12220 World Trade Drive
 San Diego, CA 92128, United States
 Tel. 858 674 8100
 Fax 858 674 8262
www.pulseeng.com/antennas



© 2010. All Rights Reserved.