

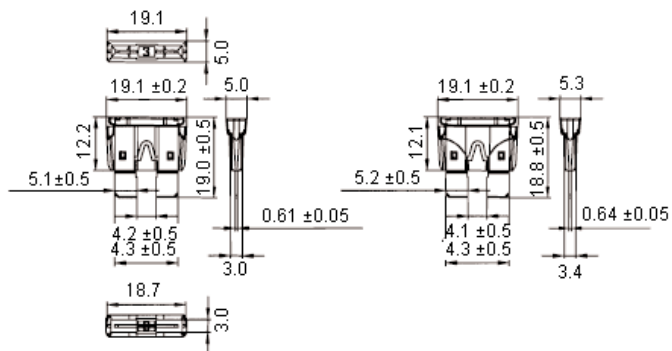


PART NO.

MCATQ - Series

REVISIONS

ECN #	REV	DESCRIPTION	DRAWN	DATE	CHECKD	DATE	APPRVD	DATE
-	A	RELEASED	Geetha	02/6/08	Suresh	02/6/08	G. C	17/6/08



Dimensions : Millimetres

Specifications:

Transparent body.
 Voltage rating : 32V and less.
 Equivalent ATO and ATC fuses.
 Option : Gold plated terminal available

Specification Table

Limits for Pre-Arcing Time							
In	1.1In	1.35In		2In		3.5In	
	Minimum	Minimum	Maximum	Minimum	Maximum	Minimum	Maximum
2A	4 h	350 ms	1800 s	100 ms	5 s	20 ms	500 ms
3A - 40A	4 h	750 ms	1800 s	150 ms	5 s	80 ms	500 ms

<http://www.farnell.com>

<http://www.newark.com>

<http://www.epc.co.uk>

This data sheet and its contents (the "Information") belong to the Premier Farnell Group (the "Group") or are licensed to it. No licence is granted for the use of it other than for information purposes in connection with the products to which it relates. No licence of any intellectual property rights is granted. The Information is subject to change without notice and replaces all data sheets previously supplied. The Information supplied is believed to be accurate but the Group assumes no responsibility for its accuracy or completeness, any error in or omission from it or for any use made of it. Users of this data sheet should check for themselves the Information and the suitability of the products for their purpose and not make any assumptions based on information included or omitted. Liability for loss or damage resulting from any reliance on the Information or use of it (including liability resulting from negligence or where the Group was aware of the possibility of such loss or damage arising) is excluded. This will not operate to limit or restrict the Group's liability for death or personal injury resulting from its negligence. SPC MULTICOMP is the registered trademark of the Group. © Premier Farnell plc 2008.

TOLERANCES:

UNLESS OTHERWISE SPECIFIED, DIMENSIONS ARE FOR REFERENCE PURPOSES ONLY.

DRAWN BY:	DATE:
Geetha	02/06/08
CHECKED BY:	DATE:
Suresh	02/06/08
APPROVED BY:	DATE:
G.Cook	17/06/08

DRAWING TITLE:

Automotive Fuses - ATO Type

SIZE	DWG NO.	ELECTRONIC FILE	REV
A	M10001216	1586583_DWG	A
SCALE: NTS	U.O.M.: mm	SHEET: 1 OF 1	



PART NO.

MCATQ - Series

REVISIONS

ECN #	REV	DESCRIPTION	DRAWN	DATE	CHECKD	DATE	APPRVD	DATE
-	A	RELEASED	Geetha	02/6/08	Suresh	02/6/08	G. C	17/6/08

Part Number Table

Description	Body Color	Part Number
Fuse, ATO, 2A	BlackishGreen	MCATQ 2A 32V
Fuse, ATO, 3A	Violet	MCATQ 3A 32V
Fuse, ATO, 4A	Pink	MCATQ 4A 32V
Fuse, ATO, 5A	Tan	MCATQ 5A 32V
Fuse, ATO, 7.5A	Brown	MCATQ 7.5A 32V
Fuse, ATO, 10A	Red	MCATQ 10A 32V
Fuse, ATO, 15A	Light Blue	MCATQ 15A 32V
Fuse, ATO, 20A	Yellow	MCATQ 20A 32V
Fuse, ATO, 25A	Natural	MCATQ 25A 32V
Fuse, ATO, 30A	Light Green	MCATQ 30A 32V
Fuse, ATO, 35A	Purple	MCATQ 35A 32V

This data sheet and its contents (the "Information") belong to the Premier Farnell Group (the "Group") or are licensed to it. No licence is granted for the use of it other than for information purposes in connection with the products to which it relates. No licence of any intellectual property rights is granted. The Information is subject to change without notice and replaces all data sheets previously supplied. The Information supplied is believed to be accurate but the Group assumes no responsibility for its accuracy or completeness, any error in or omission from it or for any use made of it. Users of this data sheet should check for themselves the Information and the suitability of the products for their purpose and not make any assumptions based on information included or omitted. Liability for loss or damage resulting from any reliance on the Information or use of it (including liability resulting from negligence or where the Group was aware of the possibility of such loss or damage arising) is excluded. This will not operate to limit or restrict the Group's liability for death or personal injury resulting from its negligence. SPC MULTICOMP is the registered trademark of the Group. © Premier Farnell plc 2008.

**TOLERANCES:
UNLESS OTHERWISE
SPECIFIED,
DIMENSIONS ARE
FOR REFERENCE
PURPOSES ONLY.**

DRAWN BY:	DATE:
Geetha	02/06/08
CHECKED BY:	DATE:
Suresh	02/06/08
APPROVED BY:	DATE:
G.Cook	17/06/08

DRAWING TITLE:

Automotive Fuses - ATO Type

SIZE A	DWG NO. M10001216	ELECTRONIC FILE 1586583_DWG	REV A
SCALE: NTS		U.O.M.: mm	SHEET: 2 OF 1