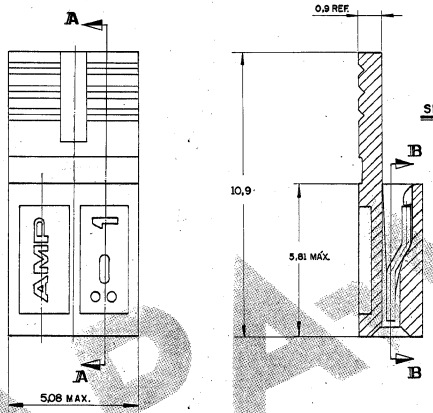


C881545

DO NOT SCALE  
DIMENSIONS IN mm. METRIC 3rd ANGLE PROJECTION

**ATENÇÃO**  
Este desenho esta sob o controle das especificações nos. 102-23 e 102-55. Toda e qualquer alteração, antes de ser processada, deverá ser comunicada aos clientes envolvidos, através dos procedimentos atuais.  
Ver pasta "Notificação ao Cliente"



SECCÃO A-A

- MATERIAL: HOUSING: TERMOPLÁSTICO C/ FIBRA DE VIDRO V-D COR: PRETO  
CONTACTO: BRONZE FOSFOROSO
- MATERIAL: HOUSING: TERMOPLÁSTICO WITH GLASS FIBER V-D COLOR:BLACK  
CONTACT: PHOSPHOROUS BRONZE
- MATERIAL: HOUSING: TERMOPLÁSTICO C/ FIBRA DE VIDRO HB COR:NATURAL  
CONTACTO: BRONZE FOSFOROSO
- MATERIAL: HOUSING: TERMOPLÁSTICO WITH GLASS FIBER HB COLOR:NATURAL  
CONTACT: PHOSPHOROUS BRONZE
- 0,38 µm. MIN. OURO NA ÁREA DE CONTATO, SOBRE BANHO 0,76 µm NIQUEL  
0,38 µm. MIN. GOLD ON CONTACT AREA, 0,76 µm NIQUEL UNDERPLATING
- 0,76 µm. MIN. OURO NA ÁREA DE CONTATO, SOBRE BANHO 0,76 µm NIQUEL  
0,76 µm. MIN. GOLD ON CONTACT AREA, 0,76 µm NIQUEL UNDERPLATING
- 1,27 µm. MIN. OURO NA ÁREA DE CONTATO, SOBRE BANHO 0,76 µm NIQUEL  
1,27 µm. MIN. GOLD ON CONTACT AREA, 0,76 µm NIQUEL UNDERPLATING
- ESTRANHO: SOBRE NIQUEL  
FIN OVER NICKEL
- PONTO DE CONTATO // MEDIDA DA CAMADA DE OURO  
CONTACT POINT FOR GOLD PLATING MEASUREMENT
- ACEITA R1HO QUANDO 0,64 x 0,64 OU REDONDO Ø 0,64  
ALLOW SQUARE PIN 2,54 x 0,64 OR ROUND Ø 0,64
- MATERIAL: HOUSING: TERMOPLÁSTICO C/ 15% DE FIBRA DE VIDRO, V2, COR VERMELHO(PADRÃO DE COR: CONTACTO: BRONZE FOSFOROSO  
MATERIAL: HOUSING: TERMOPLÁSTICO WITH 15% GLASS FIBER, V2, COLOR RED (STAND COLOR: RAL 3000) CONTACT: PHOSPHOROUS BRONZE

V2, COLOR GREEN (AMP A6484)

- 10 SIMILAR DO P/N 881545-2, PORÉM EM EMBALAGENS C/ 2.000  
PEÇAS/SACO PLÁSTICO.  
SIMILAR OF P/N 881545-2 BUT IN PACKAGES W/ 2.000 PARTS/ PLASTIC BAG.
- 11 MATERIAL HOUSING: TERMOPLÁSTICO COM 15% FIBRA DE VIDRO, V2, COR AMARELO (RAL 1016)  
CONTACTO: BRONZE FOSFOROSO  
MATERIAL: HOUSING: TERMOPLÁSTICO 15% GLASS FIBER V2, COLOR YELLOW (RAL 1016)  
CONTACT: PHOSPHOROUS BRONZE
- 12 MATERIAL HOUSING TERMOPLÁSTICO COM 15% FIBRA DE VIDRO, V2, COR VERDE (AMP A6484) CONTACTO: BRONZE FOSFOROSO  
MATERIAL HOUSING THERMOPLASTIC 15% GLASS FIBER, V2, COLOR GREEN (AMP A6484) CONTACT: PHOSPHOROUS BRONZE,
- 13 OBSOLETE PARTS: OBSOLETE CIS STREAMLINING PER D.RENAUD/D.SINISI

OTHER TREATMENT	FINISH	MATERIAL	PART NUMBER
			881545-1
			4- -2
			4- -1
			2- -4
			2- -5
			2- -2
			3- 881545-1
			1- -9
			1- -8
			1- -7
			1- -6
			1- -5
			1- -3
			1- -2

**CUSTOMER DWG**  
for REFERENCE ONLY

THIS DRAWING IS UNPUBLISHED & RELEASED FOR PUBLICATION

TOLERANCES UNLESS OTHERWISE STATED  
DEC. 20.0  
ANGLES 25°

DATE: 09/08/88  
BY: [Signature]

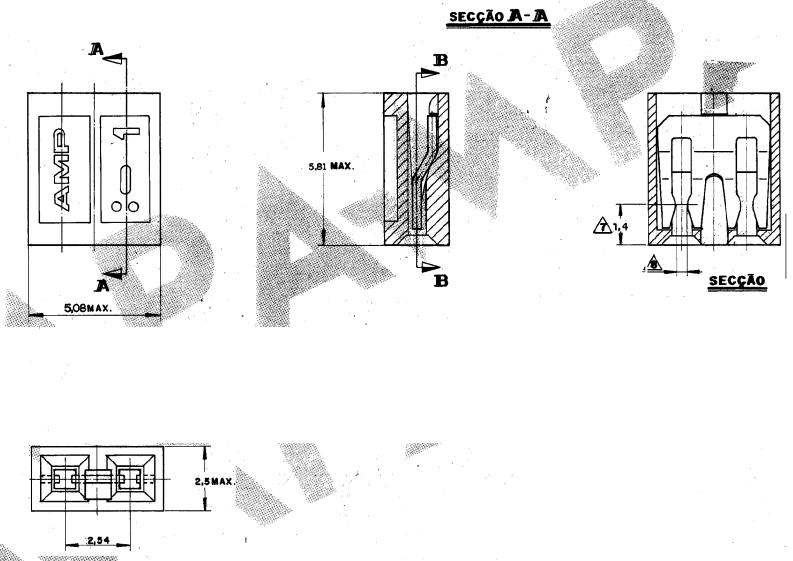
DESCRIPTION: AMP SHUNT  
LOW PROFILE CONNECTOR ASSY

REV NO: A2  
C 881545  
REV SHEET: 1 OF 2

REVISED PER	BY	DATE	REASON
ECC-11-88(S)	RK	09/08/88	
REVISION RECORD	BY	DATE	REASON

C 881545

DO NOT SCALE  
DIMENSIONS IN mm. **METRIC** 3rd ANGLE PROJECTION



OBSOLETE △	△		2	0
	△		2	7
	△		2	6
	△	△	2	881545-5
OBSOLETE △	△		1	0
	△		1	7
	△		1	6
OBSOLETE △	△		1	5
	△		1	4
	△		1	3
	△		1	2
	△		1	881545-1

OTHER TREATMENT	FINISH	MATERIAL	PART NUMBER								
CUSTOMER DWG for REFERENCE ONLY											
TOLERANCES UNLESS OTHERWISE STATED DEC. 50.0 ANGLES 5°											
<table border="1"> <tr> <th>INS</th> <th>DIG RANGE</th> <th>WIRE RANGE</th> <th>SCALE</th> </tr> <tr> <td></td> <td></td> <td></td> <td></td> </tr> </table>				INS	DIG RANGE	WIRE RANGE	SCALE				
INS	DIG RANGE	WIRE RANGE	SCALE								
TE Connectivity											
DESCRIPTION <b>AMP SHUNT</b>											
LOW PROFILE CONNECTOR ASSY											
A2 C 881545 REV. SHEET 2 of 2											

REV	REVISION RECORD	DR	CHK	DATE
01				