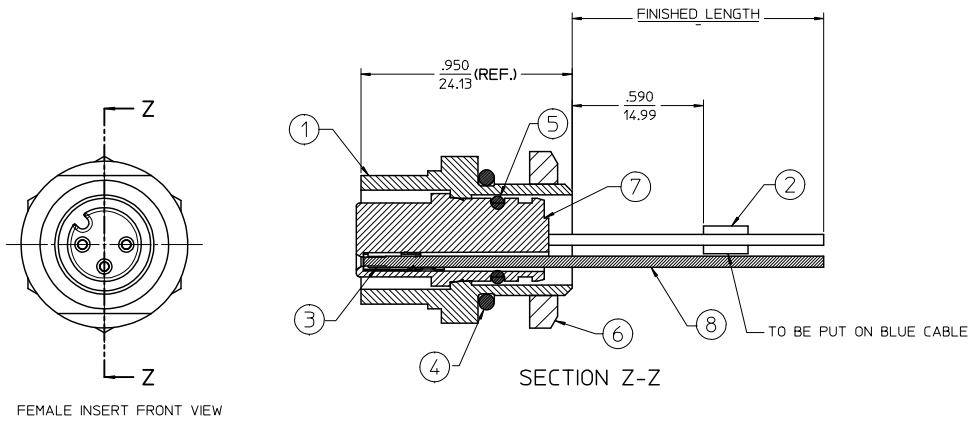
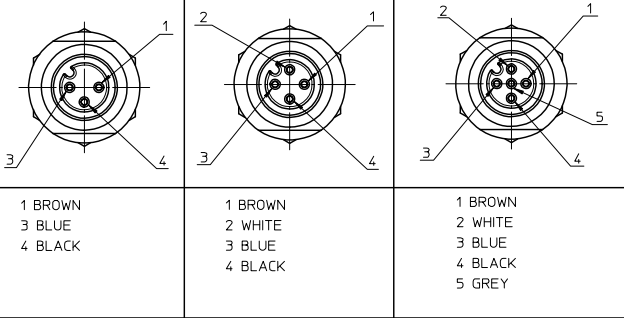


FACE VIEW - FEMALE INSERT  
SCALE 2 : 1



FINAL ASSEMBLY  
1200700056 (SHOWN)

ENTER DESCRIPTION EC NO: WEL2070-0059 DRAWN BY: NKUMAR01 CHKD: JFMURPHY APPR: JFMURPHY DATE: 2009/08/27 DATE: 2009/08/28	QUALITY SYMBOLS ▽=0 ▽=0	GENERAL TOLERANCES (UNLESS SPECIFIED)		DIMENSION STYLE IN/MM	SCALE 2:1	DESIGN UNITS INCH	THIRD ANGLE PROJECTION	
		4 PLACES ± .005 ± .005	3 PLACES ± .005 ± .005	2 PLACES ± .005 ± .005	1 PLACE ± .005 ± .005	DRAWN BY NKUMAR01	DATE 27/08/09	TITLE MIC 3P F/FR 12IN. 1/4NPT #22 P  MOLEX INCORPORATED MATERIAL NO. SD-120070-056 DOCUMENT NO. SHEET NO. 1 OF 2
		ANGULAR ±1/2°				CHECKED BY BWOODMAN	DATE 27/08/09	
		DRAFT WHERE APPLICABLE MUST REMAIN WITHIN DIMENSIONS				APPROVED BY JFMURPHY	DATE 2009/08/27	
SIZE C				SEE SHEET 2				

13 12 11 10 9 8 7 6 5 4 3 2 1

FEMALE RECEPTACLE ASSEMBLY				
		3 POLE	4 POLE	5 POLE
Sl. No.	DESCRIPTION	QUANTITY		
1	MIC SHELL FM M12X1 BLK 1/4NPT	1	1	1
2	LABEL,SELF L,YELLOW(2.25X.75IN)	1	1	1
3	MIC SOCKET CONTACT - PLATED	3	4	5
4	O-RING .489 ID X .070 THK	1	1	1
5	O-RING.276 ID X .059 THK R0J0	1	1	1
6	#1/4-18IN NPS LOCKNUT	1	1	1
7	MIC 3P DC FEMALE INSERT	1		
	MIC 4P DC FEMALE INSERT		1	
	MIC 5P DC FEMALE INSERT			1
8	#22-1 BLK PVC WIRE UL1061	1	1	1
	#22-1 BLU PVC WIRE UL1061	1	1	1
	#22-1 BRN PVC WIRE UL1061	1	1	1
	#22-1 WHT PVC WIRE UL1061		1	1
	#22-1 GRY PVC WIRE UL1061			1

PART NUMBER	DESCRIPTION	FINISHED LENGTH
1200700056	8R3A00A18A120	12.0" +.75" -0 [0.3M +19.1MM -0]
1200700114	8R4A00A18A120	12.0" +.75" -0 [0.3M +19.1MM -0]
1200700201	8R5A00A18A120	12.0" +.75" -0 [0.3M +19.1MM -0]]

<b>ENTER DESCRIPTION</b> EC NO: WEL2010-0059 DRAWN BY: NKUMAR01 2009/08/27 CHKD: JFMURPHY 2009/08/27 APPR: JFMURPHY 2009/08/28 A	<b>QUALITY SYMBOLS</b> ▽=0 ▽=0	<b>GENERAL TOLERANCES (UNLESS SPECIFIED)</b>		<b>DIMENSION STYLE</b> IN/MM	SCALE 2:1	DESIGN UNITS INCH	THIRD ANGLE PROJECTION		
		4 PLACES ±--- ±--- 3 PLACES ±--- ±--- 2 PLACES ±--- ±--- 1 PLACE ±--- ±---	mm INCH	DRAWN BY NKUMAR01	DATE 27/08/09	TITLE MIC 3P F/FR 12IN. 1/4NPT #22 P			
		ANGULAR ±1/2°	DRAFT WHERE APPLICABLE MUST REMAIN WITHIN DIMENSIONS	CHECKED BY BWOODMAN	DATE 27/08/09	APPROVED BY JFMURPHY			
		MATERIAL NO. SEE CHART	SIZE C	THIS DRAWING CONTAINS INFORMATION THAT IS PROPRIETARY TO MOLEX INCORPORATED AND SHOULD NOT BE USED WITHOUT WRITTEN PERMISSION		DOCUMENT NO. SD-120070-056	SHEET NO. 2 OF 2		

Id\_frame\_C.P. AM.T  
Rev. E 2006/04/15

12 11 10 9 8 7 6 5 4 3 2 1