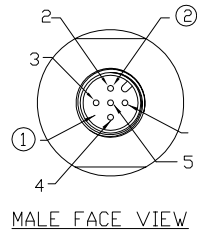
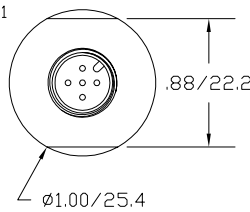
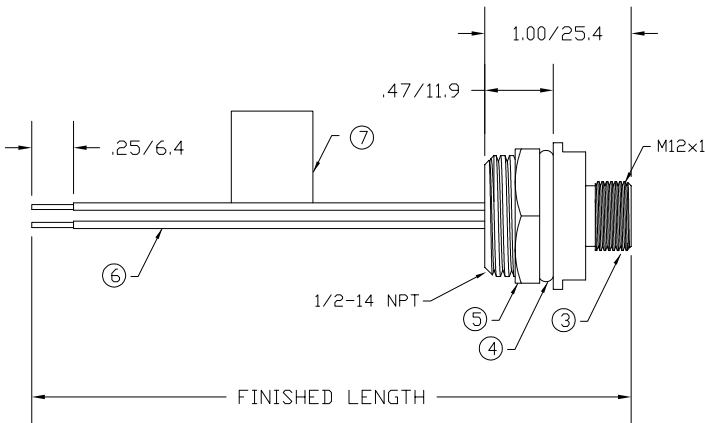
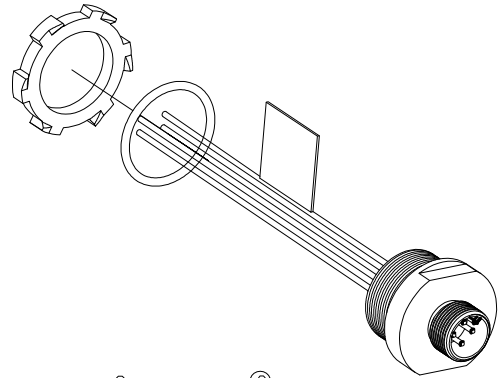
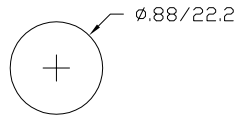


MATERIAL NUMBER	OLD PART NUMBER	FINISHED LENGTH
120070-0251	8R5006A18A060	6' +.75' -0 [.2M +19.1 -0]
120070-0252	8R5006A18A120	12' +.75' -0 [.3M +19.1 -0]



1	BROWN
2	WHITE
3	BLUE
4	BLACK
5	GRAY

WIRING DIAGRAM



TYPICAL KNOCKOUT HOLE

VOLTAGE RATING	250 VAC/VDC
AMPERAGE RATING	4 AMPS
PROTECTION	IP67
OPERATING TEMPERATURE	-20°C TO 80°C
UL CERTIFICATIONS	UL LISTED, FILE NO. E152210
CSA CERTIFICATIONS	CSA CERTIFIED, FILE NO. LR6837

ITEM	COMPONENT	MATERIAL	FINISH
1	INSERT	NYLON	BLACK
2	CONTACT PIN	COPPER ALLOY	GOLD OVER NICKEL
3	RECEPTACLE SHELL	ALUMINUM	BLACK ANODIZED
4	O-RING	NITRILE	BLACK
5	LOCKNUT	STEEL	ZINC PLATED
6	CONDUCTOR -22 AWG, 26 x #36 STRANDING, 300 VOLTS	PVC	SEE WIRING DIAGRAM
7	FLAG LABEL	VINYL	CLEAR/YELLOW

RLSD DRAWING
 EC NO: WNA2010-0131
 DRWN: BWOODMAN 8/25/09
 CHKD: JMI
 APPR: JFMURPHY 2009/08/27

QUALITY SYMBOLS	GENERAL TOLERANCES (UNLESS SPECIFIED)	
	mm	INCH
▽=0	4 PLACES ±----	±---
▽=0	3 PLACES ±----	±---
▽=0	2 PLACES ±----	±.01
▽=0	1 PLACE ±0.3	±---
▽=0	ANGULAR ±---°	

DRAFT WHERE APPLICABLE MUST REMAIN WITHIN DIMENSIONS

DIMENSION STYLE IN/MM	SCALE ---	DESIGN UNITS ---	THIRD ANGLE PROJECTION
DRAWN BY DATE BW 2009/08/25	TITLE MICRO-CHANGE RECEPTACLE 5 POLE MALE 1/2-14 NPT		
CHECKED BY DATE TW 2009/08/25	APPROVED BY DATE JFMURPHY 2009/08/26		
MATERIAL NO.	MOLEX	DOCUMENT NO. SD-120070-006	SHEET NO. 1 OF 1
SIZE A	THIS DRAWING CONTAINS INFORMATION THAT IS PROPRIETARY TO MOLEX INCORPORATED AND SHOULD NOT BE USED WITHOUT WRITTEN PERMISSION		

6 5 4 3 2 1

6 5 4 3 2 1

E
D
C
B
A

E
D
C
B
A