

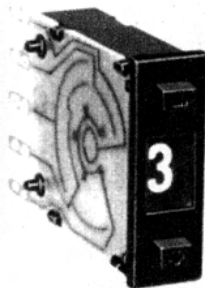
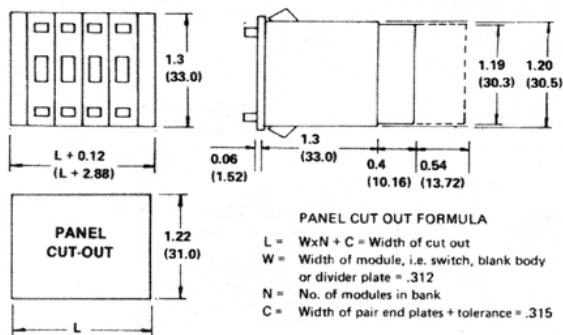


MODEL II IMLEC INDEXER PUSHBUTTON FRONT MOUNT

The Imlec Indexer is a bi-directional push indexing front mount switch, 5/16" in width. Identical in size to our popular MF switches. With snap together banking and snap-in panel mounting. Pushbuttons above and below the legend allow the user to add or subtract from the count.

These 10 or 16-position switches are available in all popular codes. Options and accessories include: Extended Boards for diode suppression, Termination Pins, Stopping, Blank Bodies, End Plates, and Connectors.

DIMENSIONS IN INCHES (IN MILLIMETERS)

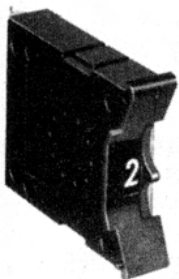
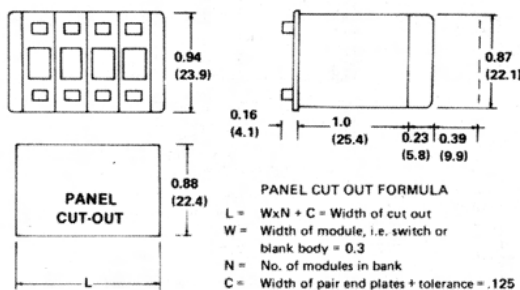


MODEL MI MINI INDEXER PUSHBUTTON FRONT MOUNT

The Mini Indexer is a bi-directional push indexing front mount switch, 0.30" in width. Similar to our Imlec Indexer but smaller in size. Features snap together banking and snap-in panel mounting. Pushbuttons above and below the legend allow the user to add or subtract from the count.

Available in most popular 10-position codes. Options and accessories include: Extended Boards for diode suppression, Termination Pins, Stopping, Blank Bodies, End Plates and Internal LED Lighting.

DIMENSIONS IN INCHES (IN MILLIMETERS)

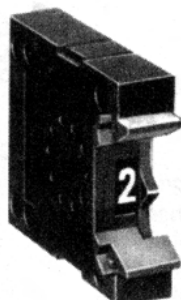
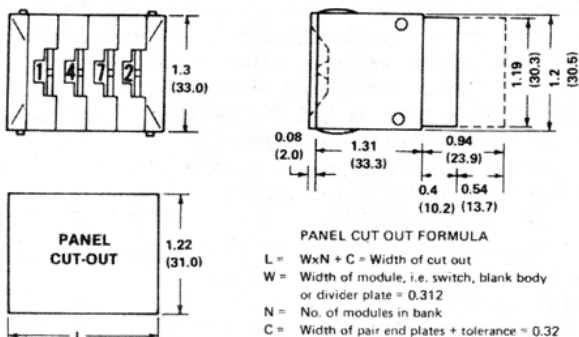


MODEL MF MINIATURE FRONT MOUNT

The MF is our most popular, low cost, 5/16" wide Thumbwheel Switch. Slim, attractive, snap-in panel mounting requires no panel mounting hardware.

Available in all popular 10 and 16 position codes. Matte black finish on high impact moldings, with white legend on black wheel standard. Options and accessories include: Extended Boards for diode suppression, Termination Pins, Blank Bodies, Divider Plates, Connectors, etc. Gray bodies, gloss finish, other wheel colors and legends available.

DIMENSIONS IN INCHES (IN MILLIMETERS)

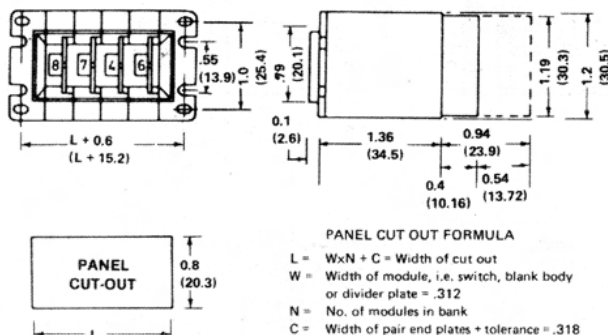


MODEL TR THIN REAR MOUNT

For applications that require a lot of switch in a small space, these 5/16" wide TR switches are ideal. Rear mount counterpart to our popular MF front mount switches.

Available in most 10-position codes including Decimal, BCD, BCD plus Complement, and Complement only. Options and accessories include: Extended Boards for diode suppression, Termination Pins, Blank Bodies, Divider Plates, Connectors, etc.

DIMENSIONS IN INCHES (IN MILLIMETERS)



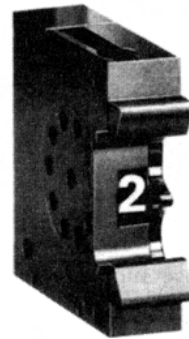


MODEL IF INTERMEDIATE FRONT MOUNT

A rugged front mount switch with large digits, 1/2" wide module. Snap-in front mounting requires no panel mounting hardware. Available in most popular 10 and 16-position codes.

Options and accessories include: Extended Boards for diode suppression, Internal Lighting, Termination Pins,

Blank Bodies, Half Bodies, Divider Plates, Connectors, etc. Matte black finish with white legends on black wheel standard. Gloss finish, other wheel colors and legends available.



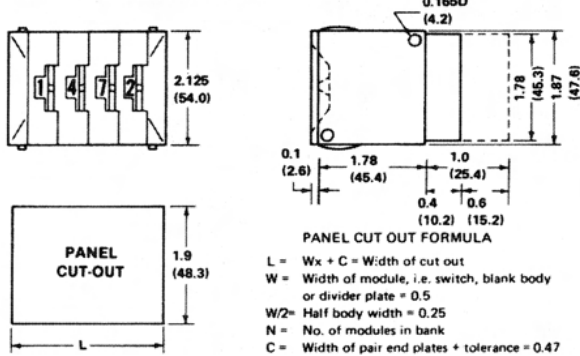
MODEL IR INTERMEDIATE REAR MOUNT

Rugged rear mount counterpart to our IF model, with large readable digits, 1/2" wide module. Available in most popular 10 and 16-position codes.

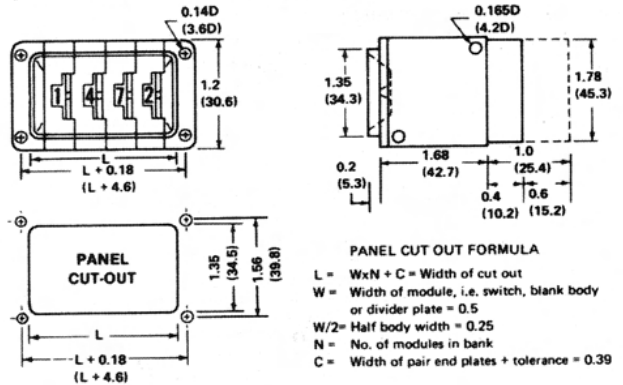
Options and accessories include: Extended Boards for diode suppression, Internal Lighting, Termination Pins, Stopping, Blank Bodies, Half Bodies,

Divider Plates, Connectors, etc. Matte black finish with white legends on black wheel standard. Gray bodies, gloss finish, other wheel colors and legends available.

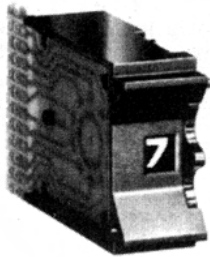
DIMENSIONS IN INCHES (IN MILLIMETERS)



DIMENSIONS IN INCHES (IN MILLIMETERS)

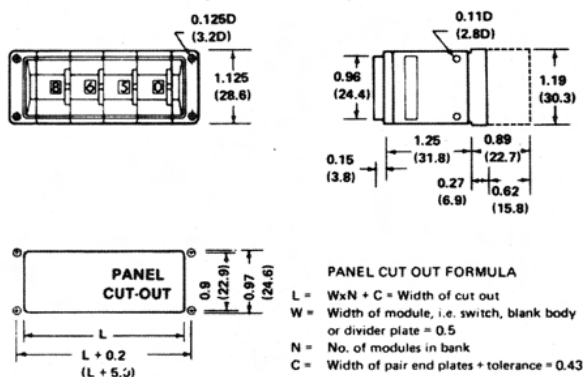


MODEL MR MINIATURE REAR MOUNT



Popular rear mount switch, 1/2" wide module but lower profile than IR model. Available in matte black in most popular 10-position codes including Decimal, BCD, and BCD plus Complements. Options and accessories include: Extended Boards for diode suppression, Stopping, Termination Pins, Internal Lighting, Sealing, etc.

DIMENSIONS IN INCHES (IN MILLIMETERS)



SPECIFICATIONS ALL MODELS

Contact Current: Contacts rated 2 amps @ 115VAC or 28VDC non-switching; 0.5 amps @ 28VAC or DC switching. Minimum recommended switching current 10 microamps @ 20 millivolts.

Voltage: 200 volts max DC (within power rating) or RMS.
Power: 24 watts max per switch with 12 watts max per energized output.

Insulation Resistance: 1000 megohms between adjacent contacts at 25°C and 20% relative humidity.

Contact Resistance: 0.1 ohms initial and 0.2 ohms after life test at 25°C.

Dielectric Strength: 500 VAC.

Moldings: High impact acetate body in matte black, gloss black or gray finish; wheels are polycarbonate in black with white legends standard, white with black legends for lighted versions, other colors available.

Contact Material: Stator has 0.0001" hard gold over 1 oz. copper on glass fibre as MIL-P-13949GF. Rotor has silver/gold alloy on beryllium copper.

Life: 1,000,000 detents minimum either direction.

Stops: Stops to limit switch to any position.

Panel Thickness: 1/16" to 5/32".

Operating Temperature: -20°C to 70°C. Storage temperature -40°C to 70°C.

Shock: 100 G's, 6 MS.

Vibration: 15 G's to 70-2000 Hz.

Humidity: 96 HRS, 95% relative.

HOW TO ORDER

CODE NO.	DESCRIPTION	II	MI	MF	TR	MR	IF	IR
-12	10 pos. Decimal	II-12	MI-12	MF-12	TR-12	MR-12	IF-12	IR-12
-12A	10 pos. Decimal Ext. Board	II-12A	MI-12A	MF-12A	TR-12A	-----	IF-12A	IR-12A
-13	10 pos. Decimal 2 pole	II-13	-----	MF-13	TR-13	-----	IF-13	IR-13
-18	10 pos. BCD Complement Only	II-18	MI-18	MF-18	TR-18	-----	-----	-----
-18A	10 pos. BCD Complement Only Ext. Board	II-18A	MI-18A	MF-18A	TR-18A	-----	-----	-----
-21	10 pos. BCD	II-21	MI-21	MF-21	TR-21	MR-21	IF-21	IR-21
-21A	10 pos. BCD Ext. Board	II-21A	MI-21A	MF-21A	TR-21A	MR-21A	IF-21A	IR-21A
-22	10 pos. BCD and Complement	II-22	-----	MF-22	TR-22	MR-22	IF-22	IR-22
-22A	10 pos. BCD and Complement Ext. Board	II-22A	-----	MF-22A	TR-22A	MR-22A	IF-22A	IR-22A
-55	16 pos. Decimal 0-15 or 0-F	II-55	-----	MF-55	-----	-----	IF-55	IR-55
-56	16 pos. BCD 0-15 or 0-F	II-56	-----	MF-56	-----	-----	IF-56	IR-56
-57	16 pos. BCD and Comp. 0-15 or 0-F	II-57	-----	MF-57	-----	-----	IF-57	IR-57
-57A	16 pos. BCD and Comp. 0-15 or 0-F Ext. Board	II-57A	-----	MF-57A	-----	-----	IF-57A	IR-57A
-EP	End Plates, Pair	II-EP	MI-EP	MF-EP	TR-EP	MR-EP	IF-EP	IR-EP
-BB	Blank Body	II-BB	MI-BB	MF-BB	TR-BB	MR-BB	IF-BB	IR-BB
-DP	Divider Plate	-----	-----	MF-DP	TR-DP	MR-DP	-----	-----
-BBH	Blank Body with Decimal Point	II-BBH	MI-BBH	MF-BBH	TR-BBH	MR-BBH	IF-BBH	IR-BBH
-CN	Connector 10 position only	MCN-10	-----	MCN-10	MCN-10	MCN-10	ICN-10	ICN-10
-HB	Half Body	-----	-----	-----	-----	-----	IF-HB	IR-HB
IH	Banking Hardware (insert no. of modules)	-----	-----	-----	-----	IH-()	IH-()	IH-()
MFH	Banking Hardware (insert no. of modules)	-----	-----	MFH-()	MFH-()	-----	-----	-----

ACCESSORIES

END PLATES — One pair of end plates is required to complete the assembly of a bank of switch modules. Rear mount end plates have two holes in each plate to allow fastening to panel by two bolts. Front mount end plates have two springs in each plate to allow bank to be held in place without the need to drill mounting holes in panel.

DIVIDER PLATE — This accessory is similar to a switch body with divider rib in center. It is normally used to divide a switch bank into framed sections. Clips can be installed on front mount divider plate to prevent long banks from bending away from panel.

BLANK BODY AND HALF BODY — Blank bodies can also be used to divide the switches in a bank. Letters or numbers can be engraved on face of body. Half bodies are similar but only half the width of a switch. Half bodies with decimal points already stamped on them are carried in stock.

ASSEMBLY HARDWARE — Easily installed tube hardware can be fitted to the assembled bank.

OPTIONS

- A. **EXTENDED BOARD** — This is an extension of regular PCB to permit mounting of diodes, etc. Hole and row spacing are compatible with standard DIP I.C. packages. Extended pads may be either isolated or non-isolated. Advise which.
- B. **COMPONENT MOUNTING** — To customer specification switches can be supplied with components mounted on extended boards.
- C. **REGULAR PIN TERMINATIONS** — PCB terminals can be attached to board to permit direct insertion into customer's Mother Board.
- D. **WIRE WRAP PIN TERMINATIONS** — These are similar to regular pins except terminal is square for use with wire wrapping equipment.
- E. **WHEEL MARKING (+, -)** — Switches are stopped to (2) positions and hot stamped +, -.
- F. **WHEEL MARKING (SPECIAL)** — Standard wheel markings are 0-9 or 0-15. Other markings are available or can be produced to order. Request quotation.
- G. **STOPPING** — Rotations of wheel can be limited to customer order by insertion of two stop pins. Stop pins can be supplied so customer can install as required.
- H. **DECIMAL POINTS** — Switch can have decimal points stamped or engraved on left side of window.
- I. **LIGHTING** — All switches can be lighted, except II series.
- J. **SEALING** — Series MR switches can be sealed.
- K. **COLORED WHEELS** — Switch wheels can be supplied in white, red, yellow and blue tints in addition to normal black color.
- L. **DUST WINDOWS** — Series MR switches can be fitted with clear plastic dust windows.