

Hermetic Octal Relays

MCY936 Series



MCY936-41

Gold Flashed Contacts
Sealed for wash-down conditions



MCY936-43

Gold Flashed Contacts
Sealed for wash-down conditions



General Specifications

Contact Characteristics		Units	MCY936-41	MCY936-43
Number and Type of Contacts	-	-	3PDT	DPDT
Contact Material	-	-	Silver Alloy	
Thermal (Carrying) Current	-	A	12	
Maximum Switching Voltage	-	V	300	
Switching Current at Voltage	-	General Purpose	12 A at 240 V 50 / 60 Hz	
	-	General Purpose	12 A at 120 V 50 / 60 Hz	
	-	Resistive	12 A at 28 V	
	-	HP	1/3 at 120 V ac	
	-	HP	1/2 at 240 V ac	
	-	Pilot Duty	B300	
Minimum Switching Requirement	-	mA	100 at 5 V dc (0.5 W)	
Coil Characteristics				
Operating Range	% of Nominal	-	85% to 110%	
	-	-	80% to 110%	
Average Consumption	-	VA	2	1.2
	-	W	1.2	0.9
Drop-out Voltage Threshold	-	-	15%	
	-	-	10%	
Performance Characteristics				
Electrical Life	Operations at Rated Current	-	100,000	

Hermetic Octal Relays

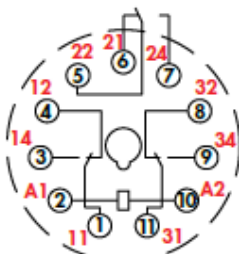


MCY936 Series

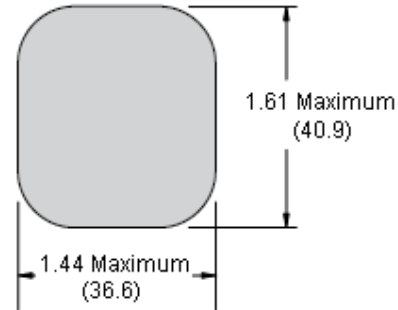
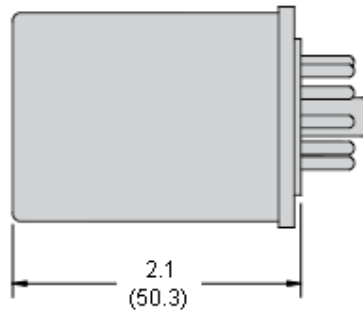
General Specifications

Performance Characteristics		Units	MCY936-41	MCY936-43
Mechanical Life	Unpowered	-	10,000,000	
Operating Time (Response Time)	-	ms	20	
Dielectric Strength	Between Coil and Contact	V rms	1,500	
	Between Poles	V rms	1,500	
	Between Contacts	V rms	1,500	
Environment				
Ambient Air Temperature Around the Device	Storage	°C	-40 to +85	
	Operation	°C	-40 to +55	
Vibration Resistance	Operational	g-n	3, 10 - 55 Hz	
Shock Resistance	-	g-n	10	
Degree of Protection	-	-	IP 67	
Weight	-	g	130	

MCY936-41

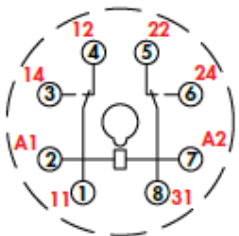


NEMA
IEC
Wiring Diagram
Bottom View

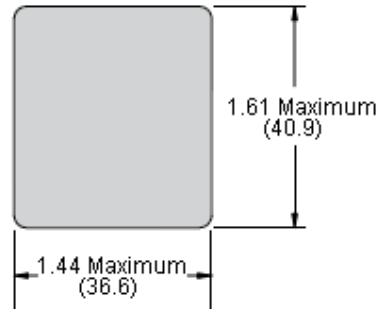
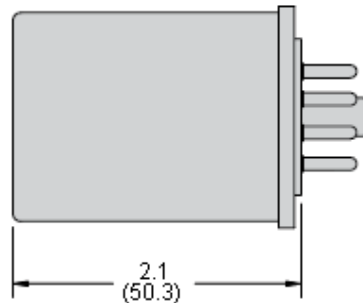


Dimensions : Inches (Millimetres)

MCY936-43



NEMA
IEC
Wiring Diagram
Bottom View



Dimensions : Inches (Millimetres)



Hermetic Octal Relays



MCY936 Series

MCY936-41
11-Pins



MCY936-43
8-Pins



Specification Table

Nominal Voltage	Coil Resistance	3PDT Part Number	Pins
		12 Amperes	
AC Operated			
24 V ac 50 / 60 Hz	72 Ohms	MCY936-41-24 A	11
120 V ac 50 / 60 Hz	1,700 Ohms	MCY936-41-120 A	
240 V ac 50 / 60 Hz	7,200 Ohms	MCY936-41-240 A	
DC Operated			
12 V dc	120 Ohms	MCY936-41-12 D	11
24 V dc	470 Ohms	MCY936-41-24 D	
110 V dc	10,000 Ohms	MCY936-41-110 D	
Nominal Voltage	Coil Resistance	DPDT Part Number	Pins
		12 Amperes	
AC Operated			
24 V ac 50 / 60 Hz	72 Ohms	MCY936-43-24 A	8
120 V ac 50 / 60 Hz	1,700 Ohms	MCY936-43-120 A	
240 V ac 50 / 60 Hz	7,200 Ohms	MCY936-43-240 A	
DC Operated			
12 V dc	120 Ohms	MCY936-43-12 D	8
24 V dc	470 Ohms	MCY936-43-24 D	
110 V dc	10,000 Ohms	MCY936-43-110 D	

Important Notice : This data sheet and its contents (the "Information") belong to the members of the Premier Farnell group of companies (the "Group") or are licensed to it. No licence is granted for the use of it other than for information purposes in connection with the products to which it relates. No licence of any intellectual property rights is granted. The Information is subject to change without notice and replaces all data sheets previously supplied. The Information supplied is believed to be accurate but the Group assumes no responsibility for its accuracy or completeness, any error in or omission from it or for any use made of it. Users of this data sheet should check for themselves the Information and the suitability of the products for their purpose and not make any assumptions based on information included or omitted. Liability for loss or damage resulting from any reliance on the Information or use of it (including liability resulting from negligence or where the Group was aware of the possibility of such loss or damage arising) is excluded. This will not operate to limit or restrict the Group's liability for death or personal injury resulting from its negligence. Multicomp is the registered trademark of the Group. © Premier Farnell plc 2011.

