



**INTERNATIONAL SENSORS & CONTROLS, INC.**

THE SMART CONNECTION

**DURAKOOL Gold Label Series 35 Amps**

Durakool Gold Label 35 and 50 Amp models (normally open) are economical, special purpose contactors developed to handle resistive loads over millions of switching cycles. They have been used successfully in commercial cooking equipment, plastics machinery, process heating controls, comfort heating and lighting control applications.

As in all Durakool contactors, the liquid contact action of mercury switching is far superior to conventional mechanical contactors, offering significantly longer life. Gold Label contactors operate dependably in harsh industrial/commercial environments without special protection and do not require sophisticated equipment for troubleshooting.

**SPECIFICATIONS**

**Maximum Time:** Operate 70 ms Release 90 ms  
**Contact Bounce, Release:** None  
**Recommended DC Load Polarity:** Top Connector Negative  
**Load Connectors:** Pressure Connector #4-14 AWG Cu.  
**Coil Terminals:** #6-32 Wire Binding Screw, Max. #12 AWG Cu.  
**Breakdown Voltage:** 2000 VRMS/Min. Across Contacts



TYPE/SERIES		Gold Label (35 Amps)					
DESCRIPTION	Volts	Resistive Part Number	Motor Rated Part Number	Typical Coil Data			V.A.
				DC Ohms	Watts	Amps	
1 Pole (Normally Open)	24	I035A24AC	IM35A24AC	40	2.80	0.233	5.59
	120	I035A120AC	IM35A120AC	902	3.69	0.057	6.84
	208	I035A208AC	IM35A208AC	3100	3.46	0.030	6.24
	240	I035A240AC	IM35A240AC	3700	3.14	0.025	6.00
	277	I035A277AC	IM35A277AC	5410	3.42	0.022	6.09
	480	I035A480AC	IM35A480AC	15000	3.49	0.013	6.24
	12 (DC)	I035A12DC	IM35A12DC	57	2.50	0.210	—
	24 (DC)	I035A24DC	IM35A24DC	230	2.50	0.104	—

ELECTRICAL RATINGS	GENERAL PURPOSE 0.7/0.8 UL Power Factor						DC		Tungsten Lamp/60 Hz	AC MOTOR LOAD				
	Volts	120	208	240	277	480	600	1-48		120	240	3 Phase		
SERIES	60 Hz AC Amps						DC Amps		Amps	KW	Hp	Hp	Hp	
GL 35A (Normally Open)	35	35	35	35	35	35	35	17	10	35	4.2	3.0	7.5	10.0

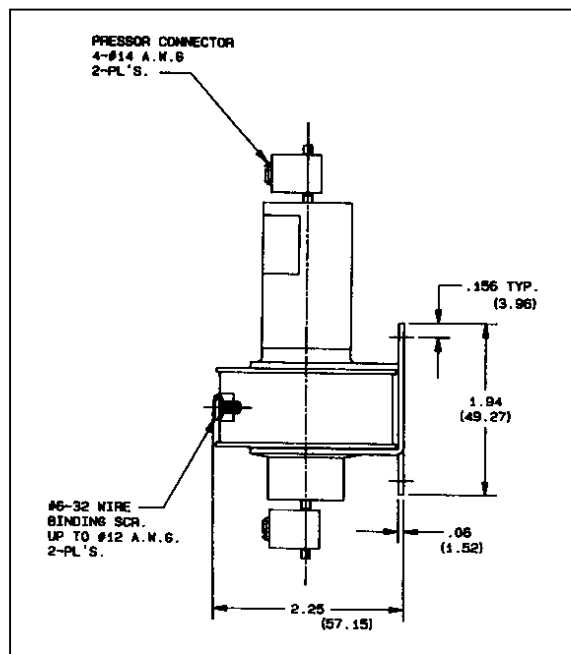
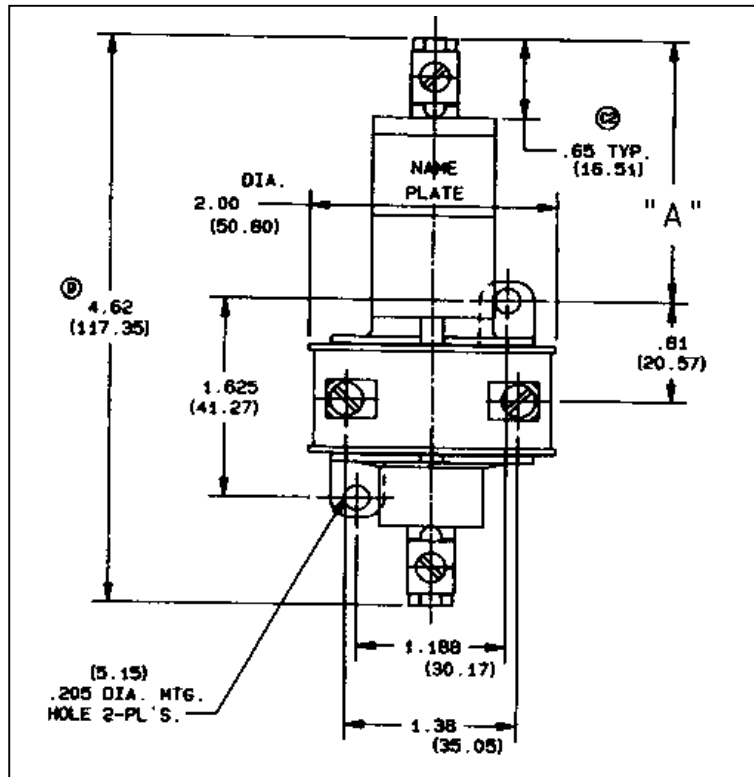
*Call (203)270-9391 for price and availability*



INTERNATIONAL SENSORS & CONTROLS, INC.

THE SMART CONNECTION

**DURAKOOL** Gold Label Series 35 Amps



*Call (203)270-9391 for price and availability*