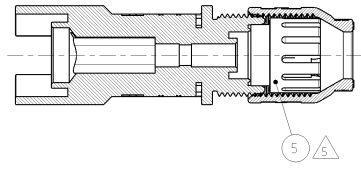
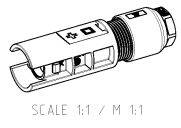
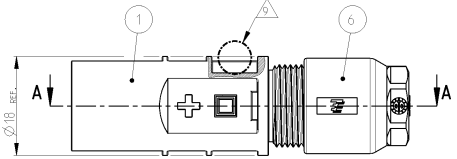
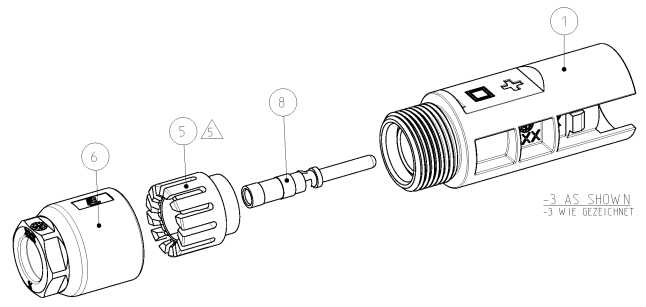


REV. NO.	DATE	DESCRIPTION	DATE	BY	APP'D
A1	-	REVISED PER ECO-11-005150	20APR11	RK	HMR



-3 PREASSEMBLED AS SHOWN
 -3 VORASSEMBLIERT WIE GEZEICHNET



-3 AS SHOWN
 -3 WIE BEZEICHNET

ORDER-NO. BESTELL-NR.	QUANTITY STÜCK	TERMS POS.	DESCRIPTION BENENNUNG	MATERIAL
7-1394461-5	1		INSTRUCTION SHEET	
7-1394461-4	1		PLASTIC BAG	TRANSPARENT
7-1394461-3	1		ZIP LOCK BAG	TRANSPARENT
7-1394461-2	3		LABEL MINUS	WHITE
7-139461-1	1		LABEL PLUS	WHITE
6-139461-6	1		PIN CONTACT ASSY HVT, 6mm ² / 10AWG	Ag / PLAIN
6-139461-5	1		PIN CONTACT ASSY HVT, 4mm ² / 12AWG	Ag / PLAIN
6-139461-4	1		PIN CONTACT ASSY HVT, 2.5mm ²	Ag / PLAIN
6-139461-3	1		TABLE SCREW JOINT	BLACK
6-139461-2	1		PINCH RING SEAL-INMOLDED, ASSY	BLACK
6-139461-1	1		PINCH RING SEAL-IMMOLDED, ASSY	BLACK
6-139461-0	1		PIN HOUSING NEUTRAL	BLACK
6-139460-5	1		PIN HOUSING MINUS	BLACK
6-139460-4	1		PIN HOUSING PLUS	BLACK
6-139460-3	1		PIN HOUSING PLUS	BLACK
6-139460-2	1		PIN HOUSING PLUS	BLACK
6-139460-1	1		PIN HOUSING PLUS	BLACK
6-139460-0	1		PIN HOUSING PLUS	BLACK
6-139459-5	1		PIN HOUSING PLUS	BLACK
6-139459-4	1		PIN HOUSING PLUS	BLACK
6-139459-3	1		PIN HOUSING PLUS	BLACK
6-139459-2	1		PIN HOUSING PLUS	BLACK
6-139459-1	1		PIN HOUSING PLUS	BLACK
6-139459-0	1		PIN HOUSING PLUS	BLACK
6-139458-5	1		PIN HOUSING PLUS	BLACK
6-139458-4	1		PIN HOUSING PLUS	BLACK
6-139458-3	1		PIN HOUSING PLUS	BLACK
6-139458-2	1		PIN HOUSING PLUS	BLACK
6-139458-1	1		PIN HOUSING PLUS	BLACK
6-139458-0	1		PIN HOUSING PLUS	BLACK
6-139457-5	1		PIN HOUSING PLUS	BLACK
6-139457-4	1		PIN HOUSING PLUS	BLACK
6-139457-3	1		PIN HOUSING PLUS	BLACK
6-139457-2	1		PIN HOUSING PLUS	BLACK
6-139457-1	1		PIN HOUSING PLUS	BLACK
6-139457-0	1		PIN HOUSING PLUS	BLACK
6-139456-5	1		PIN HOUSING PLUS	BLACK
6-139456-4	1		PIN HOUSING PLUS	BLACK
6-139456-3	1		PIN HOUSING PLUS	BLACK
6-139456-2	1		PIN HOUSING PLUS	BLACK
6-139456-1	1		PIN HOUSING PLUS	BLACK
6-139456-0	1		PIN HOUSING PLUS	BLACK
6-139455-5	1		PIN HOUSING PLUS	BLACK
6-139455-4	1		PIN HOUSING PLUS	BLACK
6-139455-3	1		PIN HOUSING PLUS	BLACK
6-139455-2	1		PIN HOUSING PLUS	BLACK
6-139455-1	1		PIN HOUSING PLUS	BLACK
6-139455-0	1		PIN HOUSING PLUS	BLACK
6-139454-5	1		PIN HOUSING PLUS	BLACK
6-139454-4	1		PIN HOUSING PLUS	BLACK
6-139454-3	1		PIN HOUSING PLUS	BLACK
6-139454-2	1		PIN HOUSING PLUS	BLACK
6-139454-1	1		PIN HOUSING PLUS	BLACK
6-139454-0	1		PIN HOUSING PLUS	BLACK
6-139453-5	1		PIN HOUSING PLUS	BLACK
6-139453-4	1		PIN HOUSING PLUS	BLACK
6-139453-3	1		PIN HOUSING PLUS	BLACK
6-139453-2	1		PIN HOUSING PLUS	BLACK
6-139453-1	1		PIN HOUSING PLUS	BLACK
6-139453-0	1		PIN HOUSING PLUS	BLACK
6-139452-5	1		PIN HOUSING PLUS	BLACK
6-139452-4	1		PIN HOUSING PLUS	BLACK
6-139452-3	1		PIN HOUSING PLUS	BLACK
6-139452-2	1		PIN HOUSING PLUS	BLACK
6-139452-1	1		PIN HOUSING PLUS	BLACK
6-139452-0	1		PIN HOUSING PLUS	BLACK
6-139451-5	1		PIN HOUSING PLUS	BLACK
6-139451-4	1		PIN HOUSING PLUS	BLACK
6-139451-3	1		PIN HOUSING PLUS	BLACK
6-139451-2	1		PIN HOUSING PLUS	BLACK
6-139451-1	1		PIN HOUSING PLUS	BLACK
6-139451-0	1		PIN HOUSING PLUS	BLACK
6-139450-5	1		PIN HOUSING PLUS	BLACK
6-139450-4	1		PIN HOUSING PLUS	BLACK
6-139450-3	1		PIN HOUSING PLUS	BLACK
6-139450-2	1		PIN HOUSING PLUS	BLACK
6-139450-1	1		PIN HOUSING PLUS	BLACK
6-139450-0	1		PIN HOUSING PLUS	BLACK
6-139449-5	1		PIN HOUSING PLUS	BLACK
6-139449-4	1		PIN HOUSING PLUS	BLACK
6-139449-3	1		PIN HOUSING PLUS	BLACK
6-139449-2	1		PIN HOUSING PLUS	BLACK
6-139449-1	1		PIN HOUSING PLUS	BLACK
6-139449-0	1		PIN HOUSING PLUS	BLACK
6-139448-5	1		PIN HOUSING PLUS	BLACK
6-139448-4	1		PIN HOUSING PLUS	BLACK
6-139448-3	1		PIN HOUSING PLUS	BLACK
6-139448-2	1		PIN HOUSING PLUS	BLACK
6-139448-1	1		PIN HOUSING PLUS	BLACK
6-139448-0	1		PIN HOUSING PLUS	BLACK
6-139447-5	1		PIN HOUSING PLUS	BLACK
6-139447-4	1		PIN HOUSING PLUS	BLACK
6-139447-3	1		PIN HOUSING PLUS	BLACK
6-139447-2	1		PIN HOUSING PLUS	BLACK
6-139447-1	1		PIN HOUSING PLUS	BLACK
6-139447-0	1		PIN HOUSING PLUS	BLACK
6-139446-5	1		PIN HOUSING PLUS	BLACK
6-139446-4	1		PIN HOUSING PLUS	BLACK
6-139446-3	1		PIN HOUSING PLUS	BLACK
6-139446-2	1		PIN HOUSING PLUS	BLACK
6-139446-1	1		PIN HOUSING PLUS	BLACK
6-139446-0	1		PIN HOUSING PLUS	BLACK

ORDER-NO.
BESTELL-NR.

DATE: 25-JAN-02
 BY: WERNER
 CHECKED: SCHNEIDER
 APPROVED: GRIFFMEIER

DATE: 25-JAN-02
 DATE: 25-JAN-02

TE Connectivity
 PHOTOVOLTAIK CONNECTOR 1 POS.
 PHOTOVOLTAIK STECKERBINDER 1 POL.

SCALE: 1:1
 SHEET: 1 OF 1
 REV: L4

RELEASED FOR PUBLICATION
 (C) Copyright By: ALL INFORMATION RIGHTS RESERVED
 DATE: 16-MAR-06
 PART NO: 139446

△ **PACKAGING INSTRUCTION:** 100 PIECES PIN HOUSINGS (ITEM NO. 1, 2 OR 3) AND PINCH RING SEAL, ASSY (ITEM NO. 4) OR PINCH RING SEAL INMOLDED ASSY (ITEM NO. 5) PREASSEMBLED WITH CABLE SCREW JOINT (ITEM NO. 6). PREASSEMBLED PARTS PACKAGED IN PLASTIC BAG (ITEM NO. 13). PLASTIC BAG (ITEM NO. 13) PROVIDED WITH LABEL AND LABEL MARKED WITH PART NUMBER, QUANTITY AND DESCRIPTION.
 PIN CONTACT ASSY'S (ITEM NO. 7, 8 OR 9) PACKAGED ACCORDING TO △ .

△ **PACKAGING INSTRUCTION:** 100 PIECES OF EACH PART PACKAGED IN ZIP LOCK BAG (ITEM NO. 12). ZIP LOCK BAG (ITEM NO. 12) PROVIDED WITH LABEL AND LABEL MARKED WITH PART NUMBER, QUANTITY AND DESCRIPTION.

△ **PACKAGING UNIT:** ALL COMPONENTS OF EACH DASH-NUMBER PACKAGED ACCORDING TO △ OR △ PACKAGED IN CORRUGATED SHIPPING BOX. PUT INSIDE ON TOP CORRUGATED SHIPPING BOX INSTRUCTION SHEET (ITEM NO. 14). CORRUGATED SHIPPING BOX PROVIDED WITH LABEL AND LABEL MARKED WITH PART NUMBER, QUANTITY AND DESCRIPTION.

△ FOR CABLE DIAMETER 4.5mm TO 6.9mm
 △ FOR CABLE DIAMETER 5.5mm TO 7.8mm
 △ TIGHTENING TORQUE SEE APPLICATION SPECIFICATION 114-18488
 △ USE ONLY SOLAR CABLE TYPE: OKONITE USE-2
 △ LABELS (ITEM NO. 10 AND 11), ZIP LOCK BAG (ITEM NO. 12), PLASTIC BAG (ITEM NO. 13), AND INSTRUCTION SHEET (ITEM NO. 14) NOT SHOWN
 △ IN THIS AREA A MOULD INJECTION POINT UP TO MAXIMUM HEIGHT OF 2mm IS ACCEPTABLE

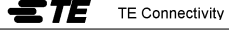
△ **VERPACKUNGSANWEISUNG:** 100 STUECK STIFTGEHAUESE (POS. 1, 2 ODER 3) UND KLEMMKORB DICHTUNG, ASSY (POS. 4) BZW. KLEMMKORB DICHTUNG UMSPRITZT, ASSY (POS. 5) VORASSEMBLIERT MIT KABELVERSCHRAUBUNG (POS. 6). VORASSEMBLIERTE TEILE VERPACKT IN KUNSTSTOFF-BEUTEL (POS. 13). KUNSTSTOFF-BEUTEL (POS. 13) MIT ETIKETT VERSEHEN UND ETIKETT MIT TEILENUMMER, STUECKZAHL UND BEZEICHNUNG BESCHRIFTET.
 STIFTKONTAKT ASSY'S (POS. 7, 8, ODER 9) VERPACKT GEMAESS △ .

△ **VERPACKUNGSANWEISUNG:** 100 STUECK VON JEDEM TEIL IM MINIGRIP-BEUTEL (POS. 12) VERPACKT. MINIGRIP-BEUTEL (POS. 12) MIT ETIKETT VERSEHEN UND ETIKETT MIT TEILENUMMER, STUECKZAHL UND BEZEICHNUNG BESCHRIFTET.

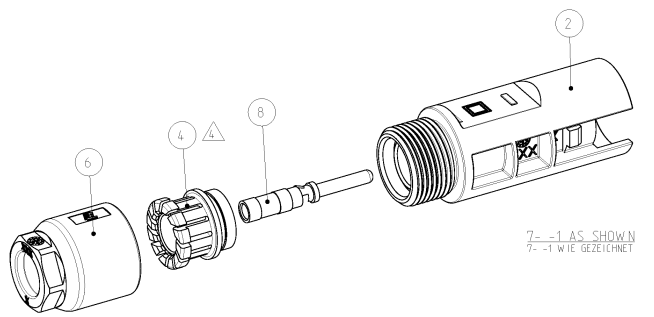
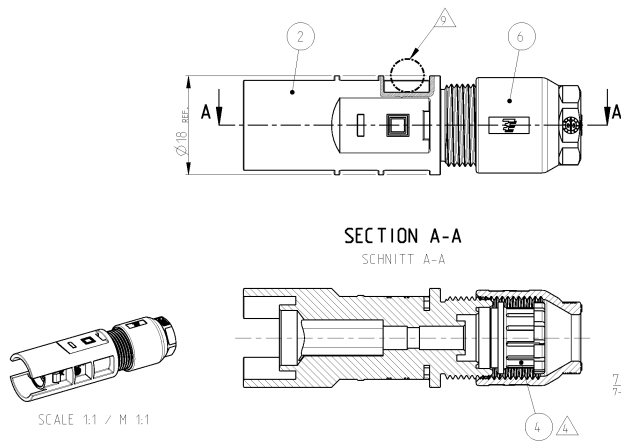
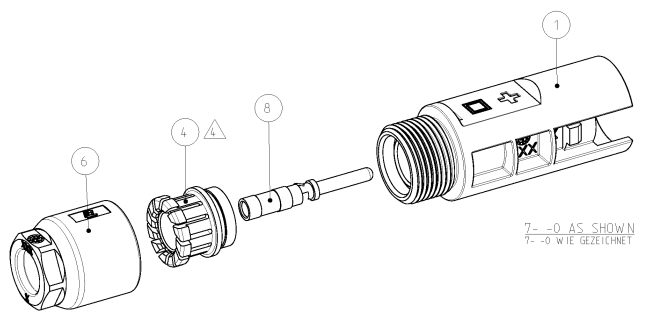
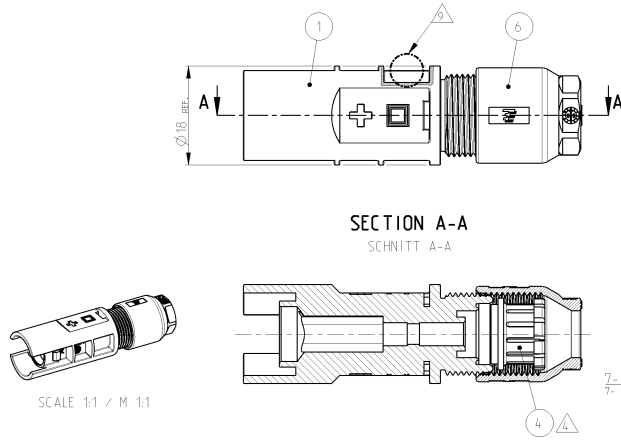
△ **VERPACKUNGSEINHEIT:** ALLE KOMponentEN EINER STRICHVARIANTE VERPACKT GEMAESS △ UND △ IN VERSANDKARTON VERPACKT. VERSANDKARTON VERARBEITUNGSANWEISUNG (POS. 14) OBENAUF GELEGT. VERSANDKARTON MIT ETIKETT VERSEHEN UND ETIKETT MIT TEILENUMMER, STUECKZAHL UND BEZEICHNUNG BESCHRIFTET.

△ FUER LEITUNGSDURCHMESSER 4.5mm BIS 6.9mm
 △ FUER LEITUNGSDURCHMESSER 5.5mm BIS 7.8mm
 △ ANZUGSDREHMOMENT SIEHE VERARBEITUNGSSPEZIFIKATION 114-18488
 △ NUR SOLARKABEL TYP: OKONITE USE-2 VERWENDEN
 △ ETIKETTEN (POS. 10 UND 11), MINIGRIP-BEUTEL (POS. 12), KUNSTSTOFF-BEUTEL (POS.13) UND VERARBEITUNGSANWEISUNG (POS. 14) NICHT DARGESTELLT
 △ IN DIESEM BEREICH EIN ANSPRITZPUNKT BIS ZU EINER MAXIMALEN HOEHE VON 2mm ZULÄSSIG

LOC	QTY	REV	DATE	BY	APPD
A1	-	1	16-MAR-06		
PROJ. NO.	100	SEE SHEET 1			

DSN: E. WERNER CH: H. SCHERER APD: G. EICHMEIER		16-MAR-06 16-MAR-06 16-MAR-06	 TE Connectivity
DIMENSIONS: MILLIMETER (MM) DIMENSIONS: INCHES (IN)		NAME: PHOTOVOLTAIK CONNECTOR 1 POS. PHOTOVOLTAIK STECKVERBINDER 1 POL.	
0 P.L.C. - 1 P.L.C. - 2 P.L.C. - 3 P.L.C. - 4 P.L.C. - ANGLES (ANGLE) - FINISH/SURFACE/FINISH		PRODUCT SPEC: 100-18701 APPLICATION SPEC: 114-18488 MATERIAL: - CUSTOMER DRAWING	SCALE: - SHEET: 2 OF 3 REV: L4

LOC.	QTY.	REV.	DATE	BY	APP'D.
A1	-	7	LTR		
PROJECT NO.:	1394461	SEE SHEET 1			



DRAWN: J. WERNER		DATE: 01-SEP-00		TE Connectivity	
CHKD: H. SCHNEIDER		DATE: 01-SEP-00		NAME: PHOTOVOLTAIK CONNECTOR 1 POS.	
APP'D: G. FIEBIGLER		DATE: 01-SEP-00		NAME: PHOTOVOLTAIK STECKVERBINDER 1 POL.	
PRODUCT SPEC: 103-18701		APPLICATION SPEC: 116-18488		SCALE: 1:1	
MATERIAL: 7175340808080808		CAGE CODE: A2100779		REV: L4	
CUSTOMER DRAWING		KUNDENZEICHNUNG		SCALE: 1:1	