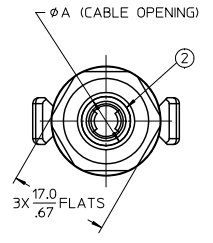
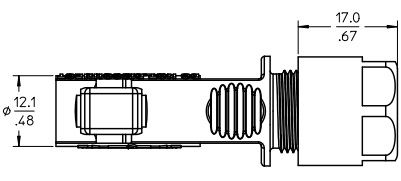
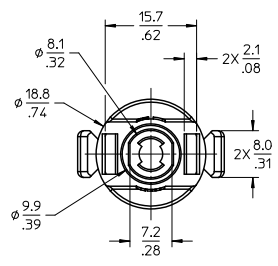
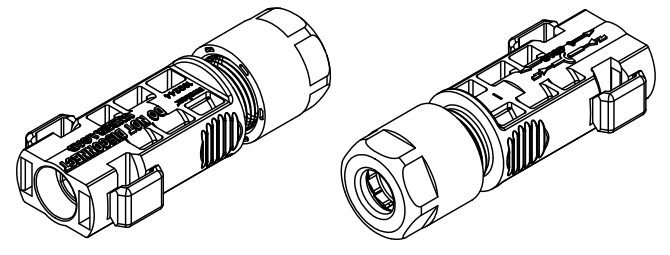
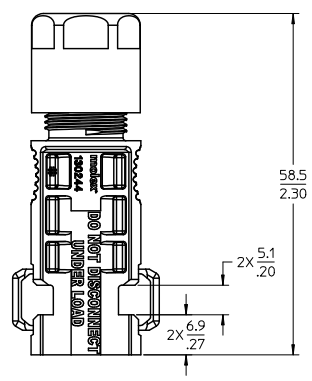
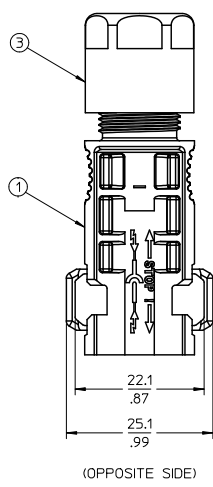


13	12	11	10	9	8	7	6	5	4	3	2	1
1302440204	2.5 mm ² / 14 AWG	5.8-6.7 / .23-.26	7.0 / .28									
1302440202	4.0-6.0 mm ² / 12-10 AWG	6.7-7.8 / .26-.31	8.4 / .33									
MATERIAL NO.	CABLE SIZE	CABLE Ø RANGE	DIM. "A"									



- NOTES:
1. MATERIALS: SEE TABLE
 2. FINISHES: SEE TABLE
 3. PRODUCT SPECIFICATION: PS-130244-001
 4. PACKAGING SPECIFICATION: PK-130244-002
 5. MATES WITH: 1302440201 OR 1302440203
 6. ASSEMBLY IS ROHS COMPLIANT.

ITEM	QTY.	DESCRIPTION	MATERIAL	FINISH
3	1	CABLE RETENTION NUT	POLYCARBONATE (PC)	BLACK
2	1	CABLE GROMMET	SILICONE	TRANSLUCENT
1	1	PIN HOUSING	POLYCARBONATE (PC)	BLACK

PRELIMINARY EC NO: WNA2011-0336 DRAWN BY: NYORK 2010/12/15 CHECKED BY: CHK001TUS APPROVED BY: DTITUS 2010/12/17 REV 4	QUALITY SYMBOLS	GENERAL TOLERANCES (UNLESS SPECIFIED)	DIMENSION STYLE	SCALE	DESIGN UNITS	THIRD ANGLE PROJECTION																													
	$\nabla=0$ $\triangle=0$	<table border="1"> <tr> <th></th> <th>mm</th> <th>INCH</th> </tr> <tr> <td>4 PLACES</td> <td>+---</td> <td>+---</td> </tr> <tr> <td>3 PLACES</td> <td>+---</td> <td>+ .005</td> </tr> <tr> <td>2 PLACES</td> <td>+ 0.13</td> <td>+ .010</td> </tr> <tr> <td>1 PLACE</td> <td>+ 0.25</td> <td>+---</td> </tr> <tr> <td colspan="3">ANGULAR ± 2 °</td> </tr> </table>		mm	INCH	4 PLACES	+---	+---	3 PLACES	+---	+ .005	2 PLACES	+ 0.13	+ .010	1 PLACE	+ 0.25	+---	ANGULAR ± 2 °			<table border="1"> <tr> <th>MM/IN</th> <th>DATE</th> <th>TITLE</th> </tr> <tr> <td>DRAWN BY: NYORK</td> <td>2010/03/17</td> <td rowspan="2">PIN ASSEMBLY, PV SOLAR DC CONNECTOR, 14-10 AWG</td> </tr> <tr> <td>CHECKED BY: DTITUS</td> <td>2010/03/17</td> </tr> <tr> <td>APPROVED BY: DTITUS</td> <td>2010/10/28</td> <td></td> </tr> </table>	MM/IN	DATE	TITLE	DRAWN BY: NYORK	2010/03/17	PIN ASSEMBLY, PV SOLAR DC CONNECTOR, 14-10 AWG	CHECKED BY: DTITUS	2010/03/17	APPROVED BY: DTITUS	2010/10/28		2:1	METRIC	
		mm	INCH																																
	4 PLACES	+---	+---																																
3 PLACES	+---	+ .005																																	
2 PLACES	+ 0.13	+ .010																																	
1 PLACE	+ 0.25	+---																																	
ANGULAR ± 2 °																																			
MM/IN	DATE	TITLE																																	
DRAWN BY: NYORK	2010/03/17	PIN ASSEMBLY, PV SOLAR DC CONNECTOR, 14-10 AWG																																	
CHECKED BY: DTITUS	2010/03/17																																		
APPROVED BY: DTITUS	2010/10/28																																		
DRAFT WHERE APPLICABLE MUST REMAIN WITHIN DIMENSIONS		SIZE C	SEE CHART	MATERIAL NO. SD-130244-002 DOCUMENT NO.		SHEET NO. 1 OF 1																													

THIS DRAWING CONTAINS INFORMATION THAT IS PROPRIETARY TO MOLEX INCORPORATED AND SHOULD NOT BE USED WITHOUT WRITTEN PERMISSION

Id_frame_C_P_AM_T Rev. E 2006/04/15