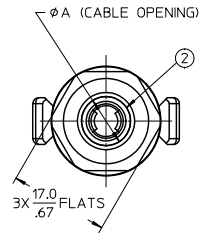
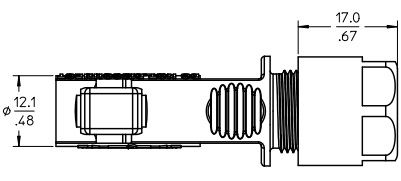
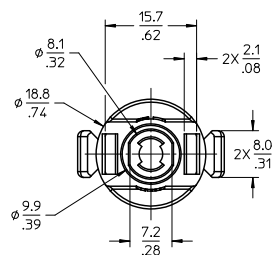
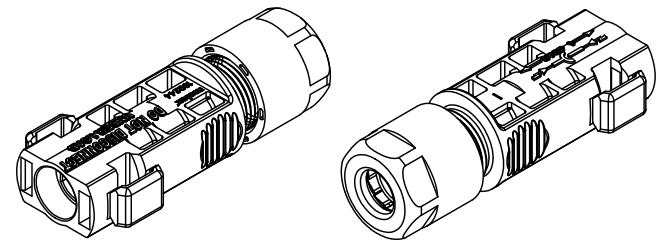
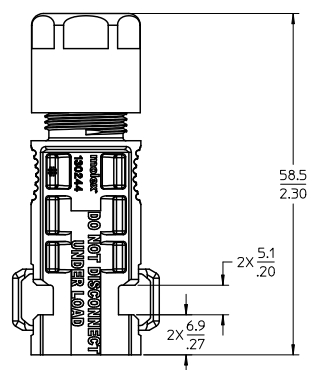
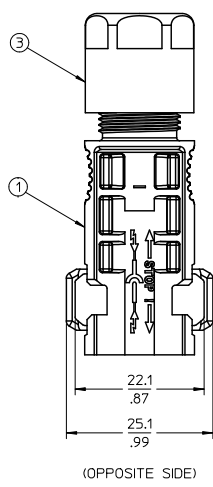


13	12	11	10	9	8	7	6	5	4	3	2	1
1302440204	2.5 mm ² / 14 AWG	5.8-6.7 / .23-.26	7.0 / .28									
1302440202	4.0-6.0 mm ² / 12-10 AWG	6.7-7.8 / .26-.31	8.4 / .33									
MATERIAL NO.	CABLE SIZE	CABLE Ø RANGE	DIM. "A"									



- NOTES:
1. MATERIALS: SEE TABLE
 2. FINISHES: SEE TABLE
 3. PRODUCT SPECIFICATION: PS-130244-001
 4. PACKAGING SPECIFICATION: PK-130244-002
 5. MATES WITH: 1302440201 OR 1302440203
 6. ASSEMBLY IS ROHS COMPLIANT.

3	1	CABLE RETENTION NUT	POLYCARBONATE (PC)	BLACK
2	1	CABLE GROMMET	SILICONE	TRANSLUCENT
1	1	PIN HOUSING	POLYCARBONATE (PC)	BLACK
ITEM	QTY.	DESCRIPTION	MATERIAL	FINISH

PRELIMINARY EC NO. WNA2011-0336 DRAWN BY: NYORK 2010/12/15 CHECKED BY: CHK001TUS APPROVED BY: DTITUS 2010/12/17	QUALITY SYMBOLS	GENERAL TOLERANCES (UNLESS SPECIFIED)	DIMENSION STYLE	SCALE	DESIGN UNITS	THIRD ANGLE PROJECTION
	$\nabla=0$ $\triangle=0$	mm INCH 4 PLACES ±--- ±--- 3 PLACES ±--- ±.005 2 PLACES ±0.13 ±.010 1 PLACE ±0.25 ±--- ANGULAR ± 2°	MM/IN	2:1	METRIC	
			DRAWN BY: NYORK DATE: 2010/03/17	TITLE: PIN ASSEMBLY, PV SOLAR DC CONNECTOR, 14-10 AWG		
			CHECKED BY: DTITUS DATE: 2010/03/17	APPROVED BY: DTITUS DATE: 2010/10/28		
		DRAFT WHERE APPLICABLE MUST REMAIN WITHIN DIMENSIONS	SIZE: SEE CHART	MATERIAL NO. SD-130244-002		SHEET NO. 1 OF 1
THIS DRAWING CONTAINS INFORMATION THAT IS PROPRIETARY TO MOLEX INCORPORATED AND SHOULD NOT BE USED WITHOUT WRITTEN PERMISSION						

Id_frame_C_P_AM_T Rev. E 2006/04/15