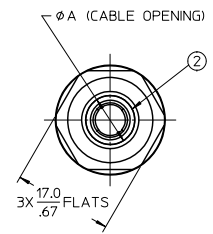
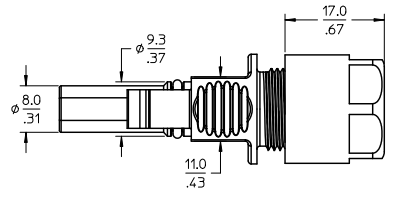
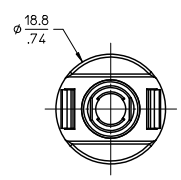
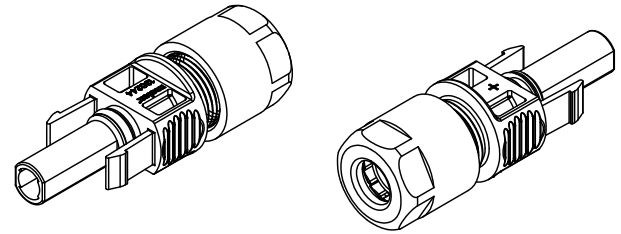
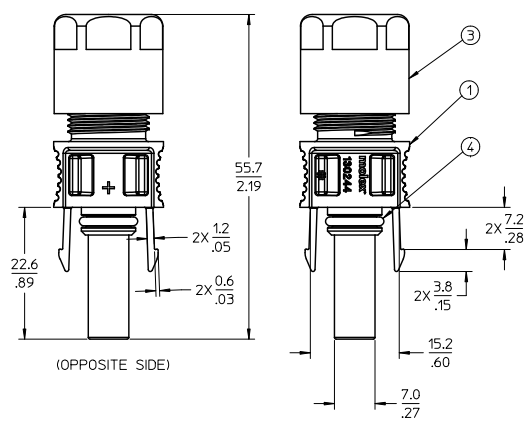


13	12	11	10	9	8	7	6	5	4	3	2	1
1302440203	2.5 mm ² / 14 AWG	5.8-6.7 / .23-.26	7.0 / .28									
1302440201	4.0-6.0 mm ² / 12-10 AWG	6.7-7.8 / .26-.31	8.4 / .33									
MATERIAL NO.	CABLE SIZE	CABLE Ø RANGE	DIM. "A"									



- NOTES:
1. MATERIALS: SEE TABLE
 2. FINISHES: SEE TABLE
 3. PRODUCT SPECIFICATION: PS-130244-001
 4. PACKAGING SPECIFICATION: PK-130244-001
 5. MATES WITH: 1302440202 OR 1302440204
 6. ASSEMBLY IS ROHS COMPLIANT.

ITEM	QTY	DESCRIPTION	MATERIAL	FINISH
4	1	O-RING SEAL	SILICONE	DARK GRAY
3	1	CABLE RETENTION NUT	POLYCARBONATE (PC)	BLACK
2	1	CABLE GROMMET	SILICONE	TRANSLUCENT
1	1	SOCKET HOUSING	POLYCARBONATE (PC)	BLACK

PRELIMINARY EC NO: WNA2011-0079 DRAWN BY: WJ CHECKED BY: J APPROVED BY: DTITUS DATE: 2010/08/13 DATE: 2010/10/28	QUALITY SYMBOLS ▽=0 ▽=0	GENERAL TOLERANCES (UNLESS SPECIFIED)		DIMENSION STYLE MM/IN		SCALE	DESIGN UNITS	THIRD ANGLE PROJECTION	
		4 PLACES	± .13	± .005	DRAWN BY	DATE	2:1		METRIC
		3 PLACES	± .05	± .010	CLYORK	2010/03/17			
		2 PLACES	± .025	± .020	CHECKED BY	DATE	TITLE		
1 PLACE	± .025	± .020	DTITUS	2010/03/17	SOCKET ASSEMBLY, PV SOLAR DC CONNECTOR, 14-10 AWG				
DRAFT WHERE APPLICABLE MUST REMAIN WITHIN DIMENSIONS		SEE CHART		MATERIAL NO.		DOCUMENT NO.		SHEET NO.	
				SD-130244-001		MOLEX INCORPORATED		1 OF 1	
THIS DRAWING CONTAINS INFORMATION THAT IS PROPRIETARY TO MOLEX INCORPORATED AND SHOULD NOT BE USED WITHOUT WRITTEN PERMISSION									