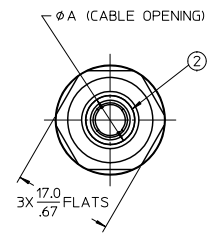
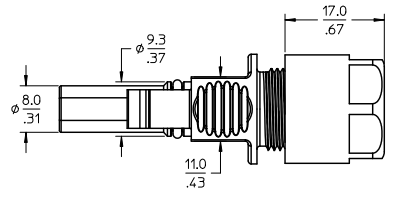
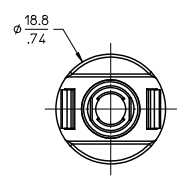
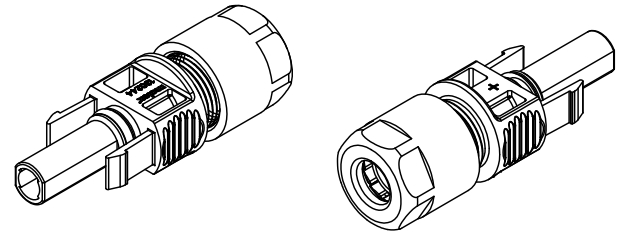
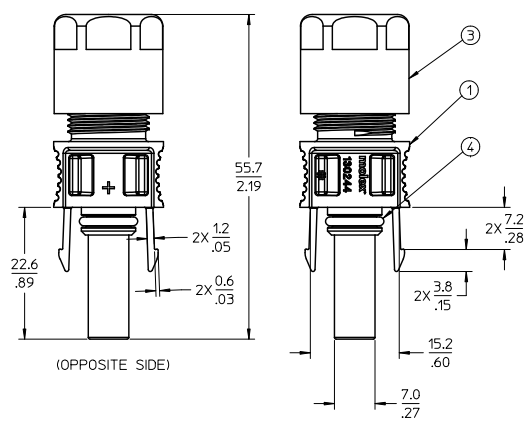


13	12	11	10	9	8	7	6	5	4	3	2	1
1302440203	2.5 mm ² / 14 AWG	5.8-6.7 / .23-.26	7.0 / .28									
1302440201	4.0-6.0 mm ² / 12-10 AWG	6.7-7.8 / .26-.31	8.4 / .33									
MATERIAL NO.	CABLE SIZE	CABLE Ø RANGE	DIM. "A"									



- NOTES:
1. MATERIALS: SEE TABLE
 2. FINISHES: SEE TABLE
 3. PRODUCT SPECIFICATION: PS-130244-001
 4. PACKAGING SPECIFICATION: PK-130244-001
 5. MATES WITH: 1302440202 OR 1302440204
 6. ASSEMBLY IS ROHS COMPLIANT.

ITEM	QTY	DESCRIPTION	MATERIAL	FINISH
4	1	O-RING SEAL	SILICONE	DARK GRAY
3	1	CABLE RETENTION NUT	POLYCARBONATE (PC)	BLACK
2	1	CABLE GROMMET	SILICONE	TRANSLUCENT
1	1	SOCKET HOUSING	POLYCARBONATE (PC)	BLACK

PRELIMINARY EC NO: WNA2011-0079 DRAWN BY: WJ CHECKED BY: J APPROVED BY: DTITUS DATE: 2010/08/13 DATE: 2010/10/28	QUALITY SYMBOLS	GENERAL TOLERANCES (UNLESS SPECIFIED)	DIMENSION STYLE	SCALE	DESIGN UNITS	THIRD ANGLE PROJECTION
	$\nabla=0$ $\triangle=0$	4 PLACES ±--- ±--- 3 PLACES ±--- ±.005 2 PLACES ±0.13 ±.010 1 PLACE ±0.25 ±--- ANGULAR ± 2°	MM/IN	2:1	METRIC	
			DRAWN BY: CLYORK	DATE: 2010/03/17	TITLE: SOCKET ASSEMBLY, PV SOLAR DC CONNECTOR, 14-10 AWG	
			CHECKED BY: DTITUS	DATE: 2010/03/17	APPROVED BY: DTITUS	DATE: 2010/10/28
		DRAFT WHERE APPLICABLE MUST REMAIN WITHIN DIMENSIONS	SEE CHART	MATERIAL NO. SD-130244-001	DOCUMENT NO. SD-130244-001	SHEET NO. 1 OF 1
THIS DRAWING CONTAINS INFORMATION THAT IS PROPRIETARY TO MOLEX INCORPORATED AND SHOULD NOT BE USED WITHOUT WRITTEN PERMISSION						

Id_frame_C_P_AM_T Rev. E 2006/04/15