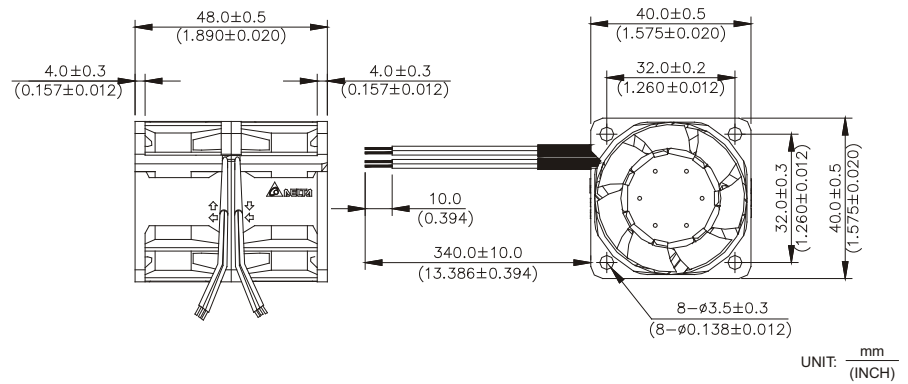


GFB 40 x 40 x 48 MM SERIES

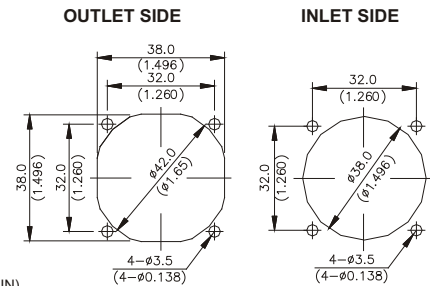
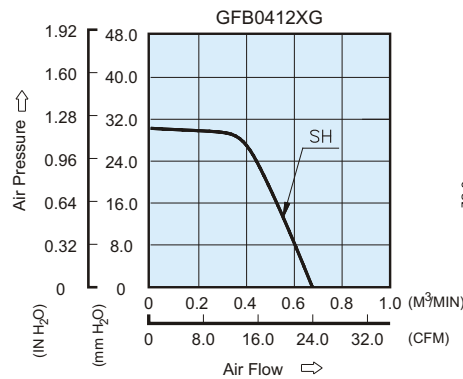
DIMENSIONS DRAWING



- * Bearing Type
Ball Bearings
- * Material
Impeller & Frame : Plastic(UL 94V-0)
- * Lead Wires :
UL 1061 AWG #24 OR Equivalent
Red Wire Positive(+)
Black Wire Negative(-)
- * Weight : 75g (2.65 OZ)

P & Q CURVE (AT RATED VOLTAGE)

MOUNTING PANEL CUTOUT



UNIT: $\frac{\text{mm}}{\text{(INCH)}}$

MODEL		Rated Voltage	Operating Voltage Range	Rated Current	Rated Input Power	Speed (Front /Rear)	Maximum Air Flow		Maximum Air Pressure		Noise
PART NO.	FUNCTION	VDC	VDC	Amp	Watt	R.P.M.	M ³ /min	CFM	mmH ₂ O	IN H ₂ O	dB-A
GFB0412SHG	-R00 / -F00	12	7.0 to 13.2	0.85	10.20	12000/10600	0.678	24.00	30.48	1.200	60.0

* Function type is optional.
 * The max. air flow and the speed are measured in free air ; max. air pressure is measured at zero air flow.
 * Noise is measured in anechoic chamber in free air, one meter from intake side.
 * All readings are typical values at rated voltage.
 * Specifications are subject to change without notice.

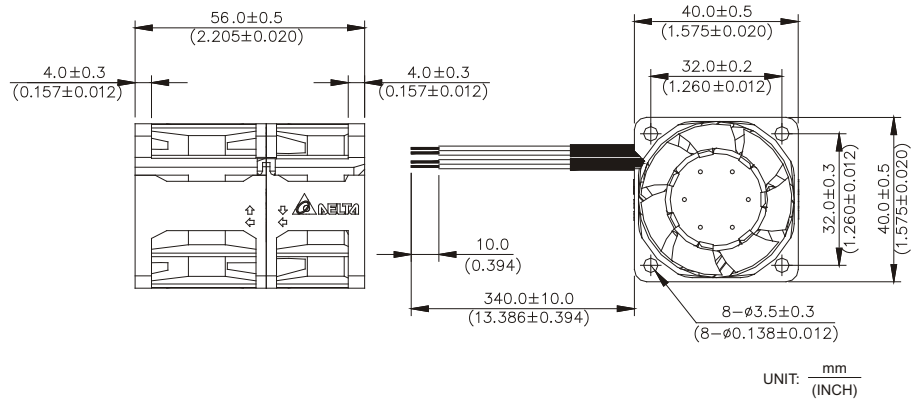
New



- * Bearing Type
Ball Bearings
- * Material
Impeller & Frame : Plastic(UL 94V-0)
- * Lead Wires :
UL 1061 AWG #24 OR Equivalent
Red Wire Positive(+)
Black Wire Negative(-)
- * Weight : 80g (2.83 OZ)

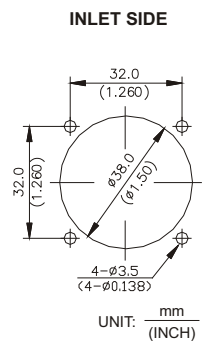
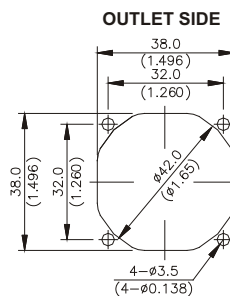
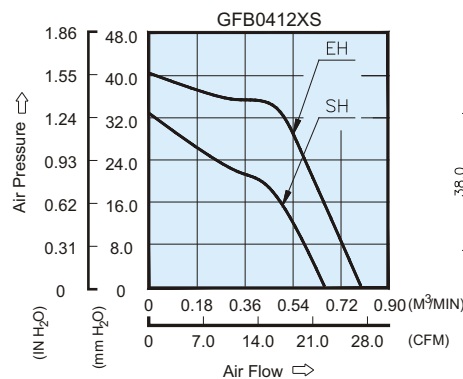
GFB 40 x 40 x 56 MM SERIES

DIMENSIONS DRAWING



P & Q CURVE (AT RATED VOLTAGE)

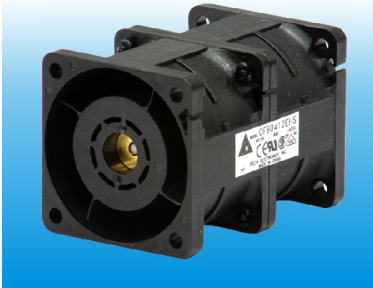
MOUNTING PANEL CUTOUT



MODEL		Rated Voltage	Operating Voltage Range	Rated Current	Rated Input Power	Speed (Front /Rear)	Maximum Air Flow		Maximum Air Pressure		Noise
PART NO.	FUNCTION	VDC	VDC	Amp	Watt	R.P.M.	m ³ /min	CFM	mmH ₂ O	IN H ₂ O	dB-A
GFB0412SHS	-R00 / -F00	12	7.0 to 13.2	0.72	8.64	14000/6000	0.662	23.42	32.85	1.293	56.0
GFB0412EHS	-R00 / -F00	12	7.0 to 13.2	1.25	15.00	15000/11200	0.770	27.30	41.33	1.630	59.5

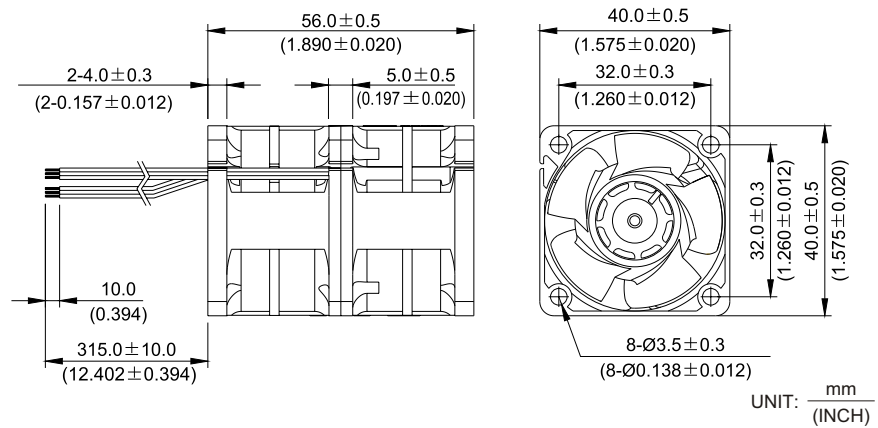
- * Function type is optional.
- * The max. air flow and the speed are measured in free air ; max. air pressure is measured at zero air flow.
- * Noise is measured in anechoic chamber in free air, one meter from intake side.
- * All readings are typical values at rated voltage.
- * Specifications are subject to change without notice.

New



GFB 40 x 40 x 56 MM SERIES

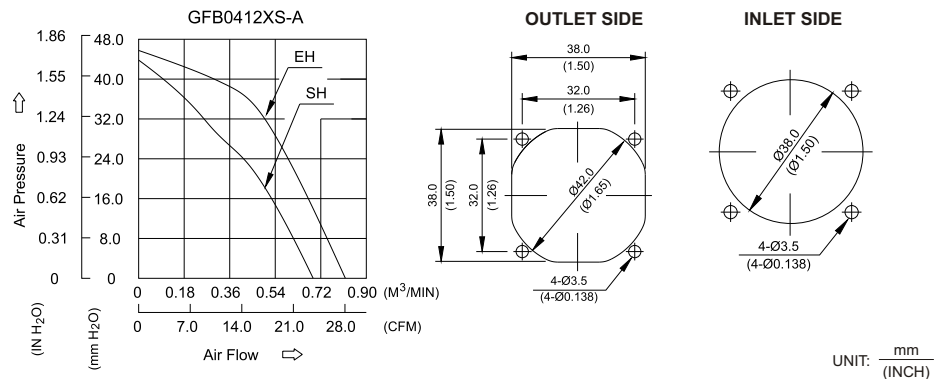
DIMENSIONS DRAWING



- * Bearing Type
Ball Bearings
- * Material
Impeller & Frame : Plastic (UL94V-0)
- * Lead Wires : UL 1061AWG#26
OR Equivalent
Red Wire Positive (+)
Black Wire Negative (-)
- * Weight : 84g (2.96 oz)

P & Q CURVE (AT RATED VOLTAGE)

MOUNTING PANEL CUTOUT

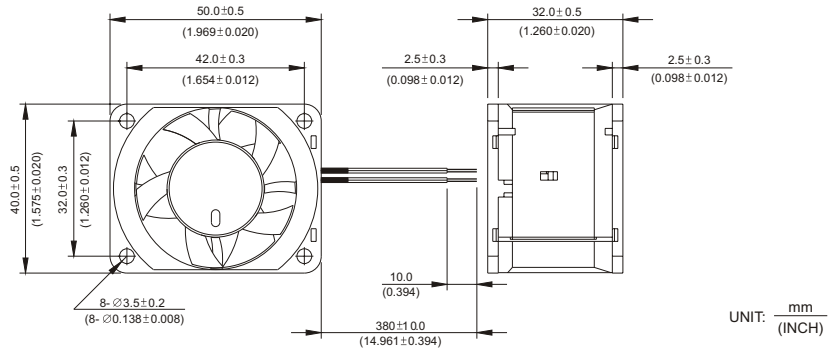


MODEL			Rated Voltage	Operating Voltage Range	Rated Current	Rated Input Power	Speed (Front /Rear)	Maximum Air Flow		Maximum Air Pressure		Noise
PART NO.	REV.	FUNCTION	VDC	VDC	Amp	Watt	R.P.M.	m ³ /min	CFM	mmH ₂ O	IN H ₂ O	dB-A
GFB0412SHS	-A	-R00 / -F00	12	7.0 to 13.2	1.02	12.24	16200/7800	0.659	23.29	44.41	1.748	58.5
GFB0412EHS	-A	-R00 / -F00	12	7.0 to 13.2	1.40	16.80	16200/12000	0.762	26.92	45.76	1.802	62.5

* Function type is optional.
 * The max. air flow and the speed are measured in free air ; max. air pressure is measured at zero air flow.
 * Noise is measured in anechoic chamber in free air, one meter from intake side.
 * All readings are typical values at rated voltage.
 * Specifications are subject to change without notice.

GFB 40 x 50 x 32 MM SERIES

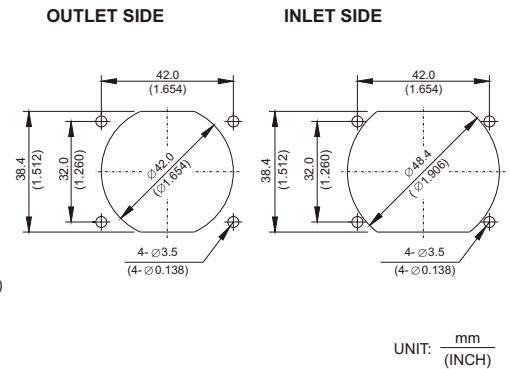
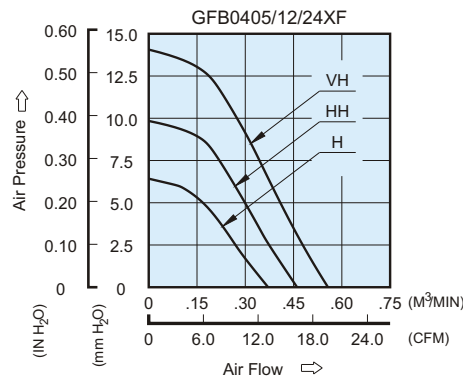
DIMENSIONS DRAWING



- * Bearing Type
Ball Bearings
- * Material
Impeller & Frame : Plastic(UL 94V-0)
- * Lead Wires :
UL 1061 AWG #24 OR Equivalent
Red Wire Positive(+)
Black Wire Negative(-)
- * Weight : 45g (1.59 OZ)

P & Q CURVE (AT RATED VOLTAGE)

MOUNTING PANEL CUTOUT

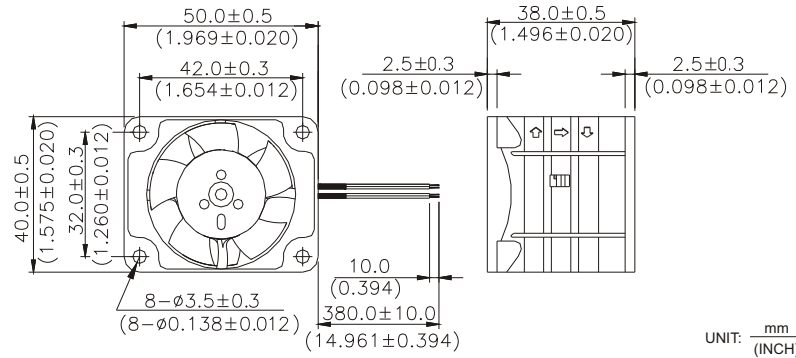


MODEL		Rated Voltage	Operating Voltage Range	Rated Current	Rated Input Power	Speed (Front /Rear)	Maximum Air Flow		Maximum Air Pressure		Noise
PART NO.	FUNCTION	VDC	VDC	Amp	Watt	R.P.M.	m ³ /min	CFM	mmH ₂ O	IN H ₂ O	dB-A
GFB0405HF	-R00 / -F00	5	4.5 to 5.5	0.36	1.80	6500/6200	0.371	13.10	6.42	0.253	41.0
GFB0412HF	-R00 / -F00	12	7.0 to 13.2	0.14	1.68						
GFB0424HF	-R00 / -F00	24	14.0 to 26.4	0.12	2.88						
GFB0405HHF	-R00 / -F00	5	4.5 to 5.5	0.66	3.30	8000/7650	0.461	16.28	9.84	0.387	46.5
GFB0412HHF	-R00 / -F00	12	7.0 to 13.2	0.23	2.76						
GFB0424HHF	-R00 / -F00	24	14.0 to 26.4	0.16	3.84						
GFB0412VHF	-R00 / -F00	12	7.0 to 13.2	0.36	4.32	9500/9100	0.557	19.67	14.06	0.554	51.5
GFB0424VHF	-R00 / -F00	24	14.0 to 26.4	0.22	5.28						

* Function type is optional.
 * The max. air flow and the speed are measured in free air ; max. air pressure is measured at zero air flow.
 * Noise is measured in anechoic chamber in free air, one meter from intake side.
 * All readings are typical values at rated voltage.
 * Specifications are subject to change without notice.

GFB 40 x 50 x 38 MM SERIES

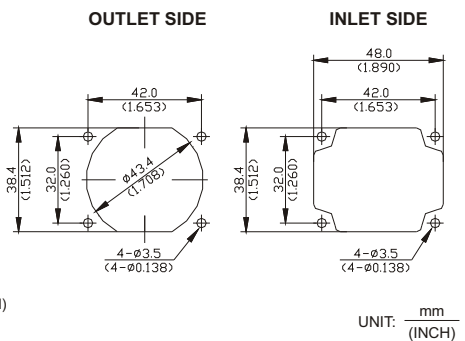
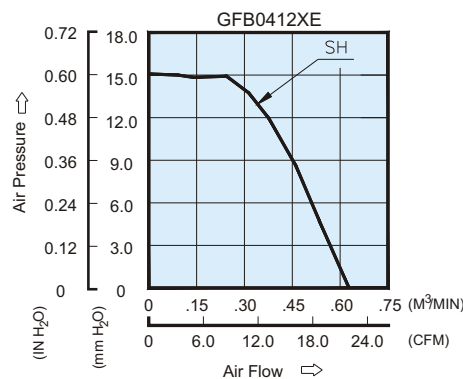
DIMENSIONS DRAWING



- * Bearing Type
Ball Bearings
- * Material
Impeller & Frame : Plastic(UL 94V-0)
- * Lead Wires :
UL 1061 AWG #24 OR Equivalent
Red Wire Positive(+)
Black Wire Negative(-)
- * Weight : 50g (1.766 OZ)

P & Q CURVE (AT RATED VOLTAGE)

MOUNTING PANEL CUTOUT



MODEL		Rated Voltage	Operating Voltage Range	Rated Current	Rated Input Power	Speed (Front /Rear)	Maximum Air Flow		Maximum Air Pressure		Noise
PART NO.	FUNCTION	VDC	VDC	Amp	Watt	R.P.M.	m ³ /min	CFM	mmH ₂ O	IN H ₂ O	dB-A
GFB0412SHE	-R00 / -F00	12	7.0 to 13.2	0.56	6.72	10000/9600	0.630	22.25	15.09	0.594	57.5

- * Function type is optional.
- * The max. air flow and the speed are measured in free air ; max. air pressure is measured at zero air flow.
- * Noise is measured in anechoic chamber in free air, one meter from intake side.
- * All readings are typical values at rated voltage.
- * Specifications are subject to change without notice.

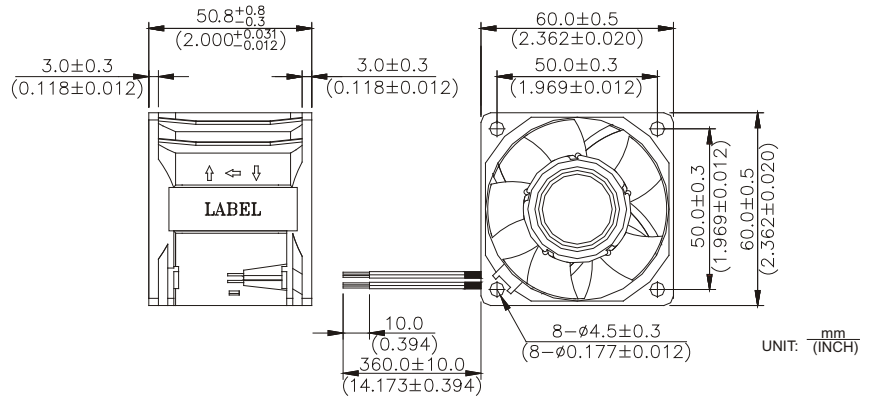
New



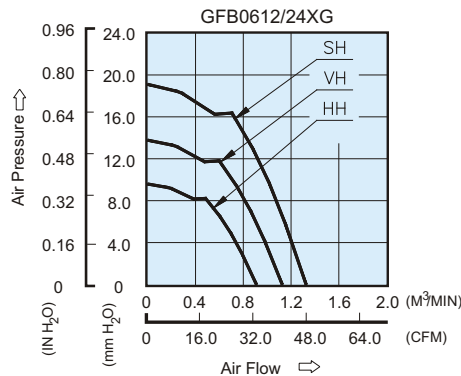
- * Bearing Type
Ball Bearings
- * Material
Impeller & Frame : Plastic(UL 94V-0)
- * Lead Wires :
UL 1061 AWG #24 OR Equivalent
Red Wire Positive(+)
Black Wire Negative(-)
- * Weight : 125g (4.41 OZ)

GFB 60 x 60 x 50.8 MM SERIES

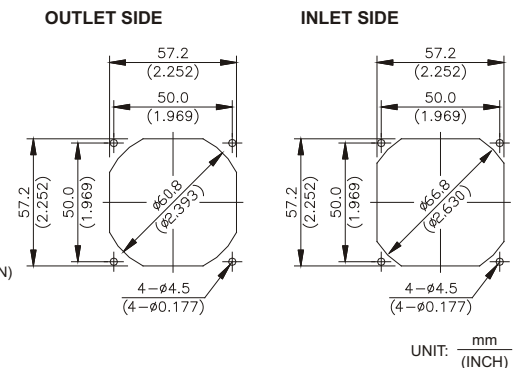
■ DIMENSIONS DRAWING



■ P & Q CURVE (AT RATED VOLTAGE)



■ MOUNTING PANEL CUTOUT



MODEL		Rated Voltage	Operating Voltage Range	Rated Current	Rated Input Power	Speed (Front /Rear)	Maximum Air Flow		Maximum Air Pressure		Noise
PART NO.	FUNCTION	VDC	VDC	Amp	Watt	R.P.M.	m ³ /min	CFM	mmH ₂ O	IN H ₂ O	dB-A
GFB0612HHG	-R00 / -F00	12	7.0 to 13.8	0.43	5.16	5000/4600	0.910	32.14	9.59	0.378	50.5
GFB0624HHG	-R00 / -F00	24	14.0 to 27.6	0.20	4.80						
GFB0612VHG	-R00 / -F00	12	7.0 to 13.8	0.62	7.44	6000/5500	1.126	39.76	13.78	0.543	54.0
GFB0624VHG	-R00 / -F00	24	14.0 to 27.6	0.28	6.72						
GFB0612SHG	-R00 / -F00	12	7.0 to 13.8	0.82	9.84	7000/6450	1.326	46.83	19.10	0.752	58.0

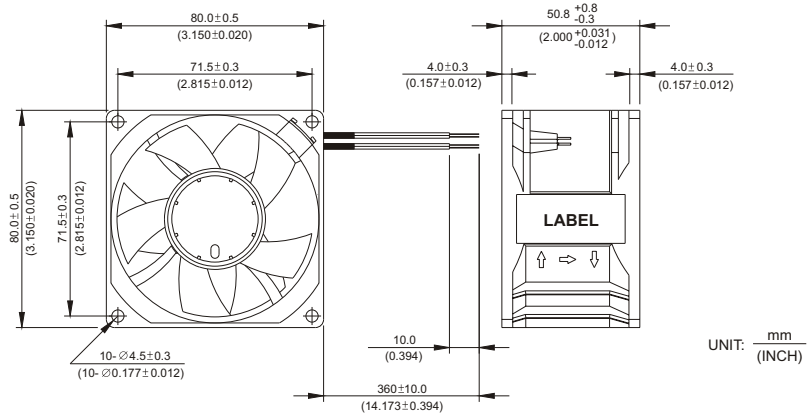
- * Function type is optional.
- * The max. air flow and the speed are measured in free air ; max. air pressure is measured at zero air flow.
- * Noise is measured in anechoic chamber in free air, one meter from intake side.
- * All readings are typical values at rated voltage.
- * Specifications are subject to change without notice.

GFB 80 x 80 x 50.8 MM SERIES

DIMENSIONS DRAWING

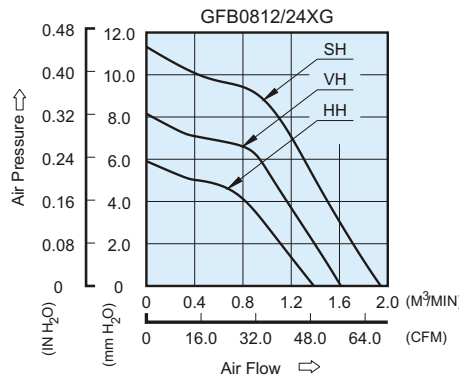


- * Bearing Type
Ball Bearings
- * Material
Impeller & Frame : Plastic(UL 94V-0)
- * Lead Wires :
UL 1061 AWG #24 OR Equivalent
Red Wire Positive(+)
Black Wire Negative(-)
- * Weight : 165g (5.82 OZ)

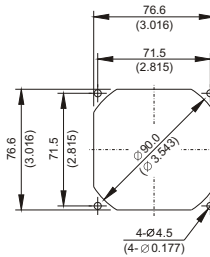


P & Q CURVE (AT RATED VOLTAGE)

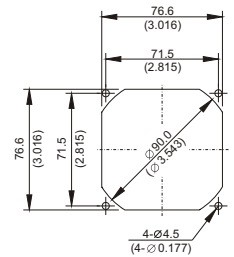
MOUNTING PANEL CUTOUT



OUTLET SIDE



INLET SIDE



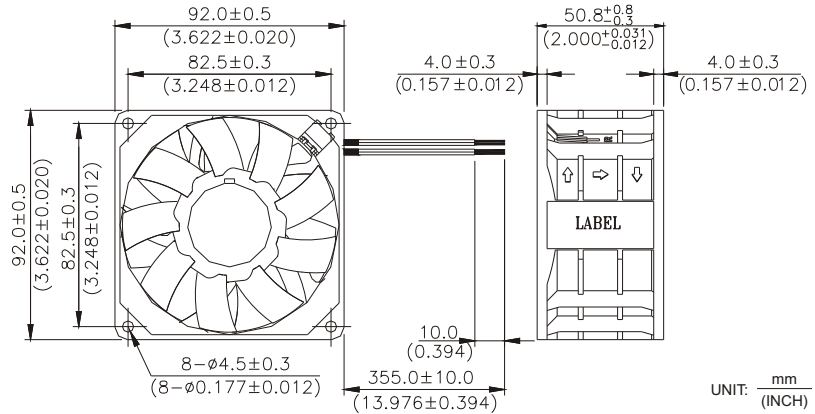
UNIT: mm (INCH)

MODEL		Rated Voltage	Operating Voltage Range	Rated Current	Rated Input Power	Speed (Front /Rear)	Maximum Air Flow	Maximum Air Pressure	Noise		
PART NO.	FUNCTION	VDC	VDC	Amp	Watt	R.P.M.	m ³ /min	CFM	mmH ₂ O	IN H ₂ O	dB-A
GFB0812HHG	-R00 / -F00	12	7.0 to 13.2	0.31	3.72	3100/2900	1.388	49.02	5.91	0.233	43.0
GFB0824HHG	-R00 / -F00	24	14.0 to 27.6	0.18	4.32						
GFB0812VHG	-R00 / -F00	12	7.0 to 13.2	0.47	5.64	3600/3260	1.612	56.93	8.15	0.321	47.5
GFB0824VHG	-R00 / -F00	24	14.0 to 27.6	0.24	5.76						
GFB0812SHG	-R00 / -F00	12	7.0 to 13.2	0.73	8.76	4200/3750	1.942	68.58	11.32	0.445	53.0
GFB0824SHG	-R00 / -F00	24	14.0 to 27.6	0.37	8.88						

* Function type is optional.
 * The max. air flow and the speed are measured in free air ; max. air pressure is measured at zero air flow.
 * Noise is measured in anechoic chamber in free air, one meter from intake side.
 * All readings are typical values at rated voltage.
 * Specifications are subject to change without notice.

GFB 92 x 92 x 50.8 MM SERIES

DIMENSIONS DRAWING

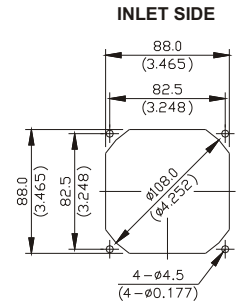
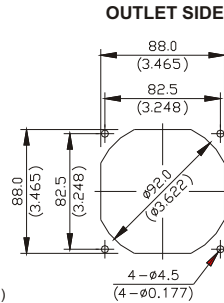
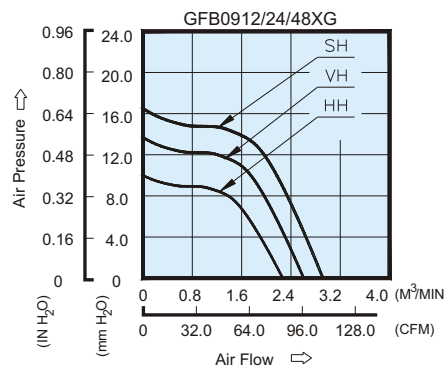


UNIT: $\frac{\text{mm}}{\text{INCH}}$

- * Bearing Type
Ball Bearings
- * Material
Impeller & Frame : Plastic (UL 94V-0)
- * Lead Wires :
UL 1061 AWG #24 OR Equivalent
Red Wire Positive (+)
Black Wire Negative (-)
- * Weight : 265g (9.35 oz)

P & Q CURVE (AT RATED VOLTAGE)

MOUNTING PANEL CUTOUT



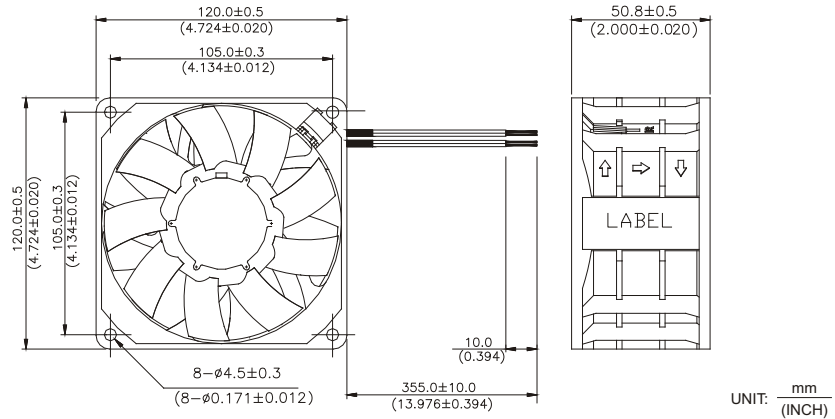
UNIT: $\frac{\text{mm}}{\text{INCH}}$

MODEL		Rated Voltage	Operating Voltage Range	Rated Current	Rated Input Power	Speed (Front /Rear)	Maximum Air Flow		Maximum Air Pressure		Noise
PART NO.	FUNCTION	VDC	VDC	Amp	Watt	R.P.M.	m ³ /min	CFM	mmH ₂ O	IN H ₂ O	dB-A
GFB0912HHG	-R00 / -F00	12	7.0 to 13.8	0.70	8.40	3200/2950	2.260	79.81	9.63	0.379	55.5
GFB0924HHG	-R00 / -F00	24	14.0 to 27.6	0.47	11.28						
GFB0948HHG	-R00 / -F00	48	28.0 to 56.0	0.21	10.08						
GFB0912VHG	-R00 / -F00	12	7.0 to 13.8	1.02	12.24	3700/3450	2.600	91.82	12.83	0.505	59.0
GFB0924VHG	-R00 / -F00	24	14.0 to 27.6	0.60	14.40						
GFB0948VHG	-R00 / -F00	48	28.0 to 56.0	0.32	15.36						
GFB0912SHG	-R00 / -F00	12	7.0 to 13.8	1.30	15.60	4100/3700	2.919	103.08	16.51	0.650	61.5

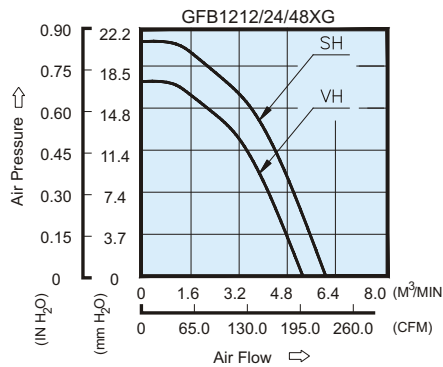
* Function type is optional.
 * The max. air flow and the speed are measured in free air ; max. air pressure is measured at zero air flow.
 * Noise is measured in anechoic chamber in free air, one meter from intake side.
 * All readings are typical values at rated voltage.
 * Specifications are subject to change without notice.

GFB 120 x 120 x 50.8 MM SERIES

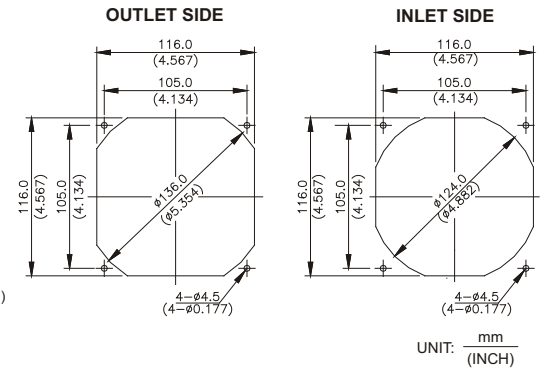
DIMENSIONS DRAWING



P & Q CURVE (AT RATED VOLTAGE)



MOUNTING PANEL CUTOUT



- * Bearing Type
Ball Bearings
- * Material
Impeller & Frame : Plastic (UL 94V-0)
- * Lead Wires :
UL 1061 AWG #24 OR Equivalent
Red Wire Positive (+)
Black Wire Negative (-)
- * Weight : 480g (16.97 oz)

MODEL		Rated Voltage	Operating Voltage Range	Rated Current	Rated Input Power	Speed (Front /Rear)	Maximum Air Flow		Maximum Air Pressure		Noise
PART NO.	FUNCTION	VDC	VDC	Amp	Watt	R.P.M.	m ³ /min	CFM	mmH ₂ O	IN H ₂ O	dB-A
GFB1212VHG	-R00 / -F00	12	7.0 to 13.2	2.82	33.84	3400/3100	5.223	184.45	17.44	0.687	65.0
GFB1224SHG	-R00 / -F00	24	14.0 to 26.4	1.80	43.20	3700/3400	5.760	203.41	20.83	0.820	67.6
GFB1248SHG	-R00 / -F00	48	28.0 to 56.0	0.68	32.64						

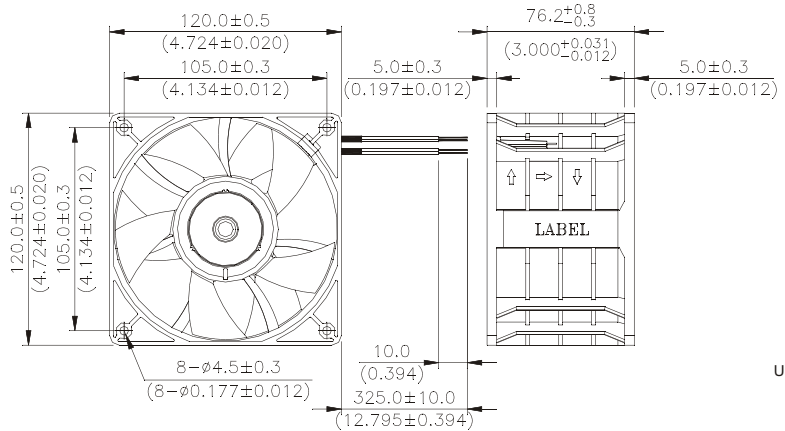
* Function type is optional.
 * The max. air flow and the speed are measured in free air ; max. air pressure is measured at zero air flow.
 * Noise is measured in anechoic chamber in free air, one meter from intake side.
 * All readings are typical values at rated voltage.
 * Specifications are subject to change without notice.

GFB 120 x 120 x 76.2 MM SERIES

DIMENSIONS DRAWING

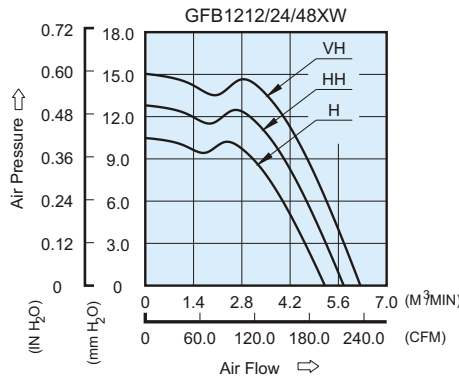


- * Bearing Type
Ball Bearings
- * Material
Impeller & Frame : Plastic(UL 94V-0)
- * Lead Wires :
UL 1061 AWG #24 OR Equivalent
Red Wire Positive(+)
Black Wire Negative(-)
- * Weight : 570g (20.10 OZ)

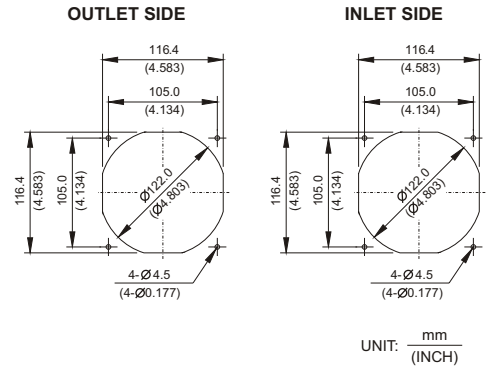


UNIT: $\frac{\text{mm}}{\text{(INCH)}}$

P & Q CURVE (AT RATED VOLTAGE)



MOUNTING PANEL CUTOUT



UNIT: $\frac{\text{mm}}{\text{(INCH)}}$

MODEL		Rated Voltage	Operating Voltage Range	Rated Current	Rated Input Power	Speed (Front /Rear)	Maximum Air Flow		Maximum Air Pressure		Noise
PART NO.	FUNCTION	VDC	VDC	Amp	Watt	R.P.M.	m ³ /min	CFM	mmH ₂ O	IN H ₂ O	dB-A
GFB1212HW	-R00 / -F00	12	7.0 to 13.2	1.44	17.28	2950/2750	5.208	183.92	10.48	0.413	55.5
GFB1224HW	-R00 / -F00	24	14.0 to 26.4	0.68	16.32						
GFB1248HW	-R00 / -F00	48	28.0 to 53.0	0.39	18.72						
GFB1212HHW	-R00 / -F00	12	7.0 to 13.2	1.89	22.68	3250/3000	5.755	203.24	12.80	0.504	57.0
GFB1224HHW	-R00 / -F00	24	14.0 to 26.4	0.95	22.80						
GFB1248HHW	-R00 / -F00	48	28.0 to 53.0	0.55	26.40						
GFB1212VHW	-R00 / -F00	12	7.0 to 13.2	2.65	31.80	3550/3200	6.238	220.29	15.04	0.592	59.0
GFB1224VHW	-R00 / -F00	24	14.0 to 26.4	1.21	29.04						
GFB1248VHW	-R00 / -F00	48	28.0 to 53.0	0.62	29.76						

* Function type is optional.
 * The max. air flow and the speed are measured in free air ; max. air pressure is measured at zero air flow.
 * Noise is measured in anechoic chamber in free air, one meter from intake side.
 * All readings are typical values at rated voltage.
 * Specifications are subject to change without notice.