

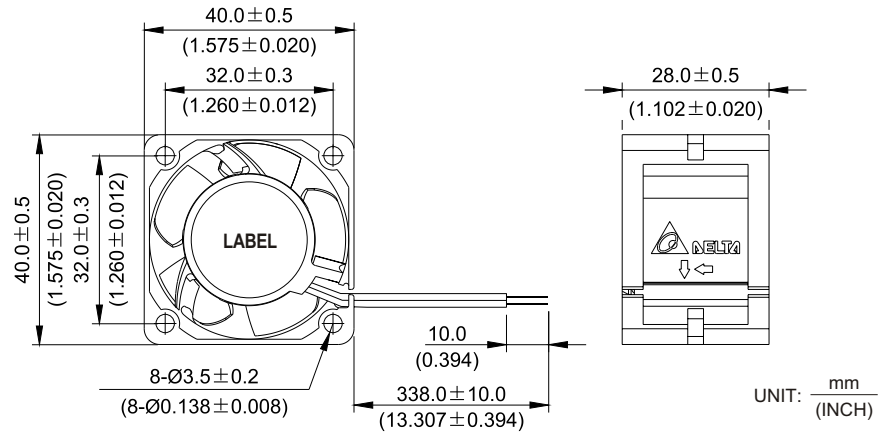
New



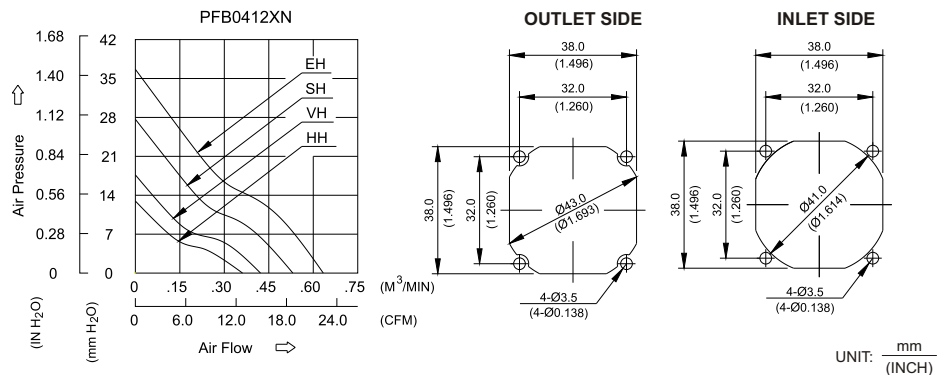
- * Bearing Type
Ball Bearings
- * Material
Impeller & Frame: Plastic (UL94V-0)
- * Lead Wires :
UL 1061 AWG #24 OR Equivalent
Red Wire Positive (+)
Black Wire Negative (-)
- * Weight : 47g (1.66 oz)

PFB 40 x 40 x 28 MM SERIES

DIMENSIONS DRAWING



P & Q CURVE (AT RATED VOLTAGE) ■ MOUNTING PANEL CUTOUT



MODEL		Rated Voltage	Operating Voltage Range	Rated Current	Rated Input Power	Speed	Maximum Air Flow		Maximum Air Pressure		Noise
PART NO.	FUNCTION	VDC	VDC	Amp	Watt	R.P.M.	m ³ /min	CFM	mmH ₂ O	IN H ₂ O	dB-A
PFB0412HHN-B	-R00 / -F00	12	7.0 to 13.2	0.20	2.40	9500	0.361	12.76	12.94	0.510	38.8
PFB0412VHN-B	-R00 / -F00	12	7.0 to 13.2	0.26	3.12	11000	0.422	14.91	17.62	0.694	43.5
PFB0412SHN-B	-R00 / -F00	12	7.0 to 13.2	0.42	5.04	13800	0.530	18.75	27.69	1.090	51.5
PFB0412EHN-B	-R00 / -F00	12	7.0 to 13.2	0.58	6.96	16000	0.618	21.83	36.33	1.431	54.5

* Function type is optional.
 * The max. air flow and the speed are measured in free air ; max. air pressure is measured at zero air flow.
 * Noise is measured in anechoic chamber in free air, one meter from intake side.
 * All readings are typical values at rated voltage.
 * Specifications are subject to change without notice.

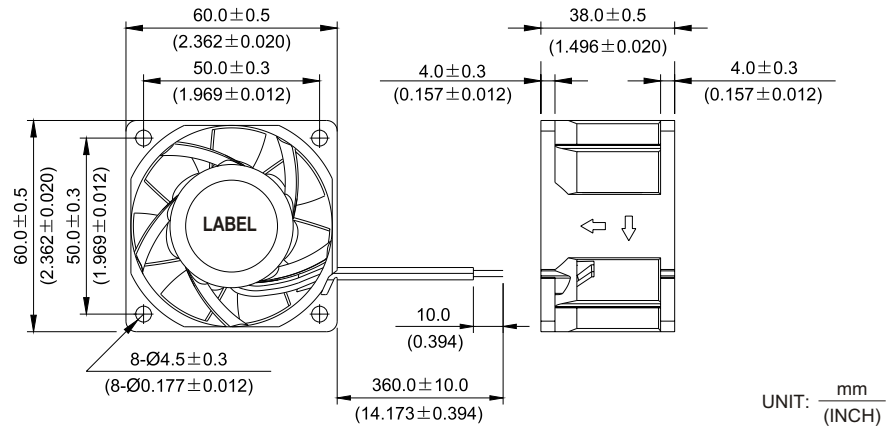
New



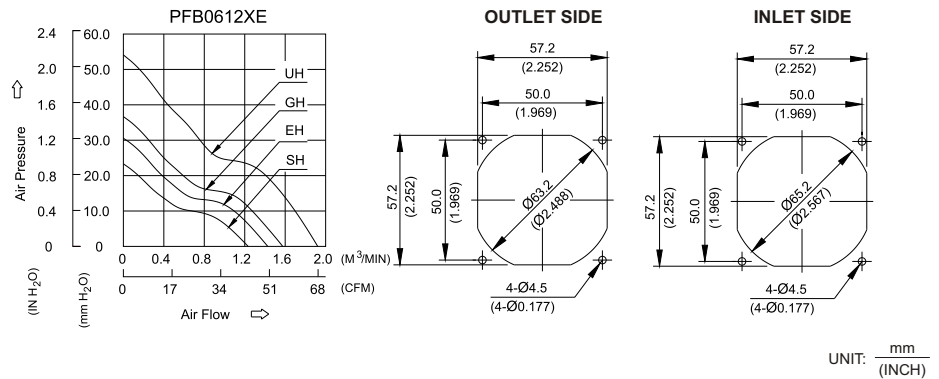
- * Bearing Type
Ball Bearings
- * Material
Impeller & Frame: Plastic (UL94V-0)
- * Lead Wires :
UL 1007 AWG #24 OR Equivalent
Red Wire Positive (+)
Black Wire Negative (-)
- * Weight : 130g (4.59 oz)

PFB 60 x 60 x 38 MM SERIES

DIMENSIONS DRAWING



P & Q CURVE (AT RATED VOLTAGE) ■ MOUNTING PANEL CUTOUT



MODEL		Rated Voltage	Operating Voltage Range	Rated Current	Rated Input Power	Speed	Maximum Air Flow		Maximum Air Pressure		Noise
PART NO.	FUNCTION	VDC	VDC	Amp	Watt	R.P.M.	m ³ /min	CFM	mmH ₂ O	IN H ₂ O	dB-A
PFB0612SHE	-R00 / -F00	12	7.0 to 13.2	0.48	5.76	8000	1.234	43.57	23.32	0.918	50.5
PFB0612EHE	-R00 / -F00	12	7.0 to 13.2	0.63	7.56	9000	1.428	50.43	30.56	1.203	54.0
PFB0612GHE	-R00 / -F00	12	7.0 To 13.2	0.85	10.20	10000	1.575	55.62	36.68	1.444	57.5
PFB0612UHE	-R00 / -F00	12	7.0 To 13.2	1.40	16.80	12000	1.922	67.85	54.10	2.129	61.5

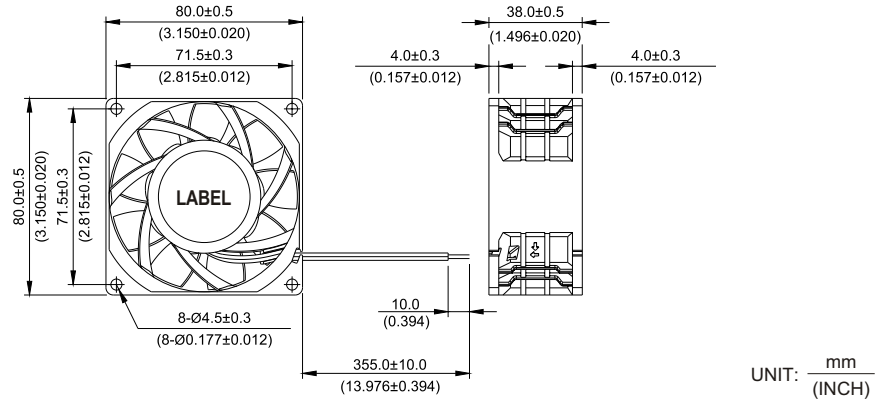
- * Function type is optional.
- * The max. air flow and the speed are measured in free air ; max. air pressure is measured at zero air flow.
- * Noise is measured in anechoic chamber in free air, one meter from intake side.
- * All readings are typical values at rated voltage.
- * Specifications are subject to change without notice.

New



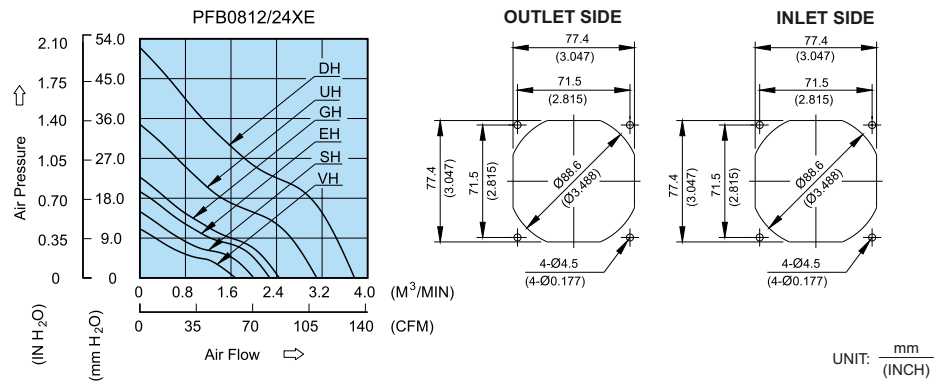
PFB 80 x 80 x 38 MM SERIES

DIMENSIONS DRAWING



- * Bearing Type
Ball Bearings
- * Material
Impeller & Frame: Plastic (UL94V-0)
- * Lead Wires :
UL 1007 AWG #24 OR Equivalent
Red Wire Positive (+)
Black Wire Negative (-)
- * Weight : 205g (7.23 oz)

P & Q CURVE (AT RATED VOLTAGE) ■ MOUNTING PANEL CUTOUT



MODEL		Rated Voltage	Operating Voltage Range	Rated Current	Rated Input Power	Speed	Maximum Air Flow		Maximum Air Pressure		Noise
PART NO.	FUNCTION	VDC	VDC	Amp	Watt	R.P.M.	m ³ /min	CFM	mmH ₂ O	IN H ₂ O	dB-A
PFB0812VHE	-R00 / -F00	12	7.0 to 13.2	0.39	4.68	4200	1.649	58.23	10.70	0.421	45.1
PFB0812SHE	-R00 / -F00	12	7.0 to 13.2	0.51	6.12	4900	1.967	69.49	14.53	0.571	49.3
PFB0812EHE	-R00 / -F00	12	7.0 to 13.2	0.72	8.64	5600	2.243	79.23	19.50	0.767	53.0
PFB0824EHE	-R00 / -F00	24	14.0 to 26.4	0.36	8.64						
PFB0812GHE	-R00 / -F00	12	7.0 to 13.2	0.85	10.20	6100	2.448	86.44	22.80	0.898	55.5
PFB0824GHE	-R00 / -F00	24	14.0 to 26.4	0.45	10.80						
PFB0812UHE	-R00 / -F00	12	7.0 to 13.2	1.55	18.60	7500	3.038	107.30	34.75	1.368	61.0
PFB0824UHE	-R00 / -F00	24	14.0 to 26.4	0.77	18.48						
PFB0812DHE	-R00 / -F00	12	7.0 to 13.2	2.75	33.00	9000	3.754	132.56	51.57	2.030	65.0
PFB0824DHE	-R00 / -F00	24	14.0 to 26.4	1.35	32.40						

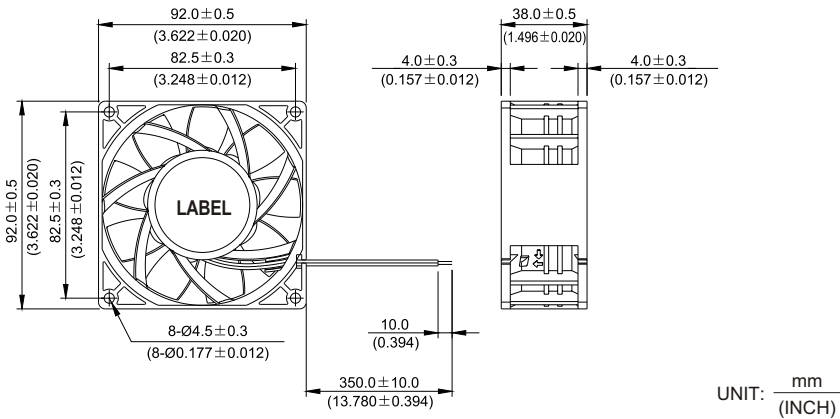
* Function type is optional.
 * The max. air flow and the speed are measured in free air ; max. air pressure is measured at zero air flow.
 * Noise is measured in anechoic chamber in free air, one meter from intake side.
 * All readings are typical values at rated voltage.
 * Specifications are subject to change without notice.

New



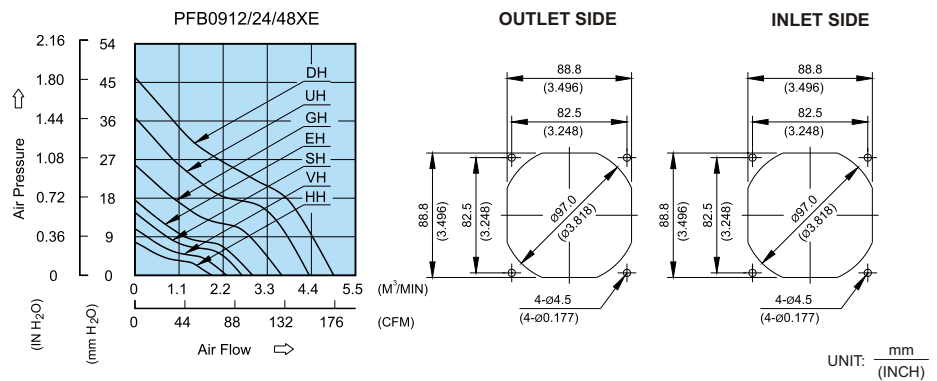
PFB 92 x 92 x 38 MM SERIES

DIMENSIONS DRAWING



- * Bearing Type: Ball Bearings
- * Material: UL 1007 AWG #24 OR Equivalent
- * Impeller & Frame: Plastic (UL94V-0)
- * Lead Wires: Red Wire Positive (+), Black Wire Negative (-)
- * Weight: 250g (8.82 oz)

P & Q CURVE (AT RATED VOLTAGE) MOUNTING PANEL CUTOUT



MODEL		Rated Voltage	Operating Voltage Range	Rated Current	Rated Input Power	Speed	Maximum Air Flow		Maximum Air Pressure		Noise
PART NO.	FUNCTION	VDC	VDC	Amp	Watt	R.P.M.	m ³ /min	CFM	mmH ₂ O	IN H ₂ O	dB-A
PFB0912HHE	-R00 / -F00	12	7.0 to 13.2	0.33	3.96	3200	1.933	68.26	7.76	0.305	43.5
PFB0912VHE	-R00 / -F00	12	7.0 to 13.2	0.38	4.56	3800	2.287	80.77	10.88	0.428	46.2
PFB0912SHE	-R00 / -F00	12	7.0 to 13.2	0.55	6.60	4400	2.668	94.22	14.67	0.578	51.7
PFB0912EHE	-R00 / -F00	12	7.0 to 13.2	0.68	8.16	4800	2.936	103.67	17.56	0.691	54.0
PFB0924EHE	-R00 / -F00	24	14.0 to 26.4	0.33	7.92						
PFB0948EHE	-R00 / -F00	48	28.0 to 56.0	0.21	10.08	6000	3.662	129.31	25.78	1.015	60.5
PFB0912GHE	-R00 / -F00	12	7.0 to 13.2	1.22	14.64						
PFB0924GHE	-R00 / -F00	24	14.0 to 26.4	0.63	15.12						
PFB0948GHE	-R00 / -F00	48	28.0 to 56.0	0.36	16.80	7000	4.347	153.52	36.79	1.449	64.0
PFB0912UHE	-R00 / -F00	12	7.0 to 13.2	1.96	23.52						
PFB0924UHE	-R00 / -F00	24	14.0 to 26.4	1.02	24.48	8000	4.957	175.03	46.21	1.819	66.5
PFB0948UHE	-R00 / -F00	48	28.0 to 56.0	0.60	28.80						
PFB0912DHE	-R00 / -F00	12	7.0 to 13.2	3.10	37.20						
PFB0924DHE	-R00 / -F00	24	14.0 to 26.4	1.45	34.80						

* Function type is optional.
 * The max. air flow and the speed are measured in free air; max. air pressure is measured at zero air flow.
 * Noise is measured in anechoic chamber in free air, one meter from intake side.
 * All readings are typical values at rated voltage.
 * Specifications are subject to change without notice.

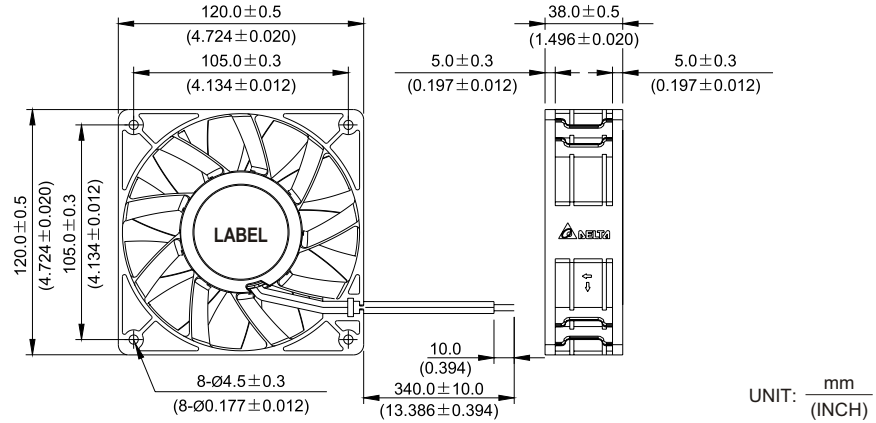
New



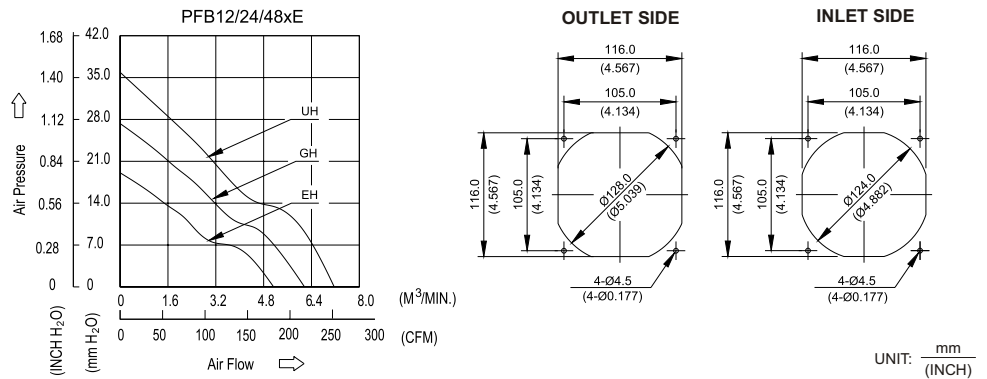
- * Bearing Type
Ball Bearings
- * Material
Impeller & Frame: Plastic (UL94V-0)
- * Lead Wires :
UL 1007 AWG #24 OR Equivalent
Red Wire Positive (+)
Black Wire Negative (-)
- * Weight : 380g (13.40 oz)

PFB 120 x 120 x 38 MM SERIES

DIMENSIONS DRAWING



P & Q CURVE (AT RATED VOLTAGE) ■ MOUNTING PANEL CUTOUT



MODEL		Rated Voltage	Operating Voltage Range	Rated Current	Rated Input Power	Speed	Maximum Air Flow		Maximum Air Pressure		Noise
PART NO.	FUNCTION	VDC	VDC	Amp	Watt	R.P.M.	m ³ /min	CFM	mmH ₂ O	IN H ₂ O	dB-A
PFB1212EHE	-R00 / -F00	12	8.0 to 13.2	1.60	19.20	4000	5.133	181.27	19.078	0.751	59.0
PFB1224EHE	-R00 / -F00	24	14.0 to 26.5	0.90	21.60						
PFB1248EHE	-R00 / -F00	48	30.0 to 56.0	0.45	21.60						
PFB1212GHE	-R00 / -F00	12	8.0 to 13.2	2.70	32.40	4800	6.167	217.80	27.308	1.075	64.0
PFB1224GHE	-R00 / -F00	24	14.0 to 26.5	1.35	32.40						
PFB1248GHE	-R00 / -F00	48	30.0 to 56.0	0.68	32.64						
PFB1224UHE	-R00 / -F00	24	14.0 to 26.5	2.00	48.00	5500	7.160	252.85	35.877	1.412	66.5
PFB1248UHE	-R00 / -F00	48	30.0 to 56.0	1.00	48.00						

* Function type is optional.
 * The max. air flow and the speed are measured in free air ; max. air pressure is measured at zero air flow.
 * Noise is measured in anechoic chamber in free air, one meter from intake side.
 * All readings are typical values at rated voltage.
 * Specifications are subject to change without notice.