

SATELLITE RECEIVER FOR DVB-S/DSS WITH QUICKLOCK AND QUICKSCAN

Features

- Single-chip tuner, demodulator, and LNB controller
- DVB-S and DSS compliant
- QPSK/BPSK demodulation
- Integrated step-up dc-dc converter for LNB power supply (Si2108/10 only)
- Input signal level: -82 to -10 dBm
- Symbol rate range: 1 to 45 MBaud
- Automatic acquisition and fade recovery
- Automatic gain control
- On-chip blind scan accelerator with *QuickScan* (Si2109/10 only)
- DiSEqC™ 2.2 support
- Power, C/N, and BER estimators
- I²C bus interface
- 3.3/1.8 V supply, 3.3 V I/O
- Pb-free/RoHS-compliant package

Applications

- Set-top boxes
- Digital video recorders
- Digital televisions
- Satellite PC-TV
- SMATV trans-modulators (Satellite Master Antenna TV)

Description

The Si2107/08/09/10 are a family of pin-compatible, complete front-end solutions for DSS and DVB-S digital satellite reception. The IC family incorporates a tuner, demodulator, and LNB controller into a single device resulting in significantly reduced board space and external component count. The device supports symbol rates of 1 to 45 MBaud over a 950 to 2150 MHz range. A full suite of features including automatic acquisition, fade recovery, blind scanning, performance monitoring, and DiSEqC Level 2.2 compliant signaling are supported. The Si2108/10 further add short circuit protection, overcurrent protection, and a step-up dc-dc controller to implement a low-cost LNB supply solution. Si2109/10 versions include a hardware channel scan accelerator for fast "blindscan." The Si2107/08/09/10 family features new channel detection and acquisition technology: *QuickLock* for Si2107/08/09/10 and *QuickScan* for Si2109/10. *QuickLock* achieves fast channel acquisition and *QuickScan*, fast channel detection. An I²C bus interface is used to configure and monitor all internal parameters.

Functional Block Diagram

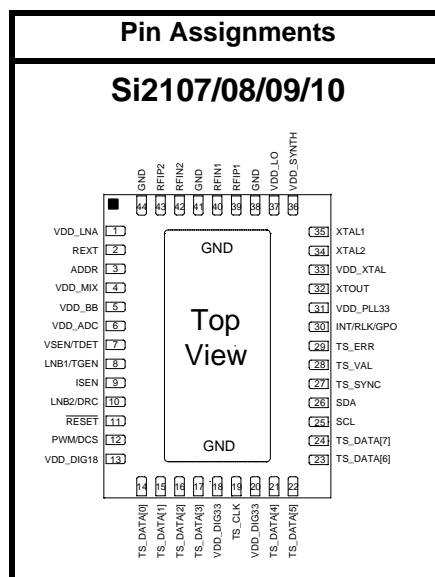
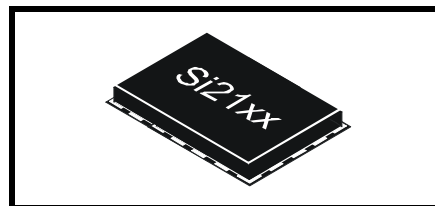
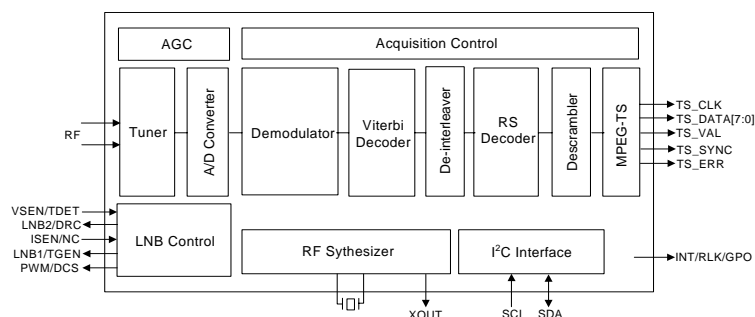




TABLE OF CONTENTS

<u>Section</u>	<u>Page</u>
1. Electrical Specifications	4
2. Typical Application Schematics	13
3. Bill of Materials	16
4. Part Versions	19
5. Functional Description	19
5.1. Tuner	19
5.2. Demodulator	20
5.3. DVB-S/DSS Channel Decoder	20
5.4. On-Chip Blindscan Controller: QuickScan (Si2109/10 Only)	20
5.5. LNB Signaling Controller	20
5.6. On-Chip LNB DC-DC Step-Up Controller (Si2108/10 Only)	21
5.7. Crystal Oscillator	21
6. Operational Description	21
6.1. System Configuration	21
6.2. Interrupts	25
6.3. Receiver Status	27
6.4. Tuning Control	27
6.5. Channel Decoder	29
6.6. Automatic Gain Control	30
6.7. LNB Signaling Controller	32
6.8. On-Chip LNB DC-DC Step-Up Controller (Si2108/10 Only)	34
6.9. On-Chip Blindscan Controller: QuickScan (Si2109/10 Only)	35
6.10. Sleep Mode Operation	36
7. I²C Control Interface	37
8. Control Registers	38
9. Pin Descriptions	90
10. Ordering Guide*	92
11. Package Outline: 44-pin QFN	93
12. PCB Land Pattern	94
Document Change List	97
Contact Information	98

1. Electrical Specifications

Table 1. Recommended Operating Conditions

Parameter	Symbol	Min	Typ	Max	Unit
Ambient temperature	T_A	0	—	70	°C
DC supply voltage 3.3 V	$V_{3.3}$	3.0	3.3	3.6	V
DC supply voltage 1.8 V	$V_{1.8}$	1.71	1.8	1.89	V

Note: All minimum and maximum specifications are guaranteed and apply across the recommended operating conditions.

Table 2. Absolute Maximum Ratings^{1, 2}

Parameter	Symbol	Min	Max	Unit
DC supply voltage 3.3 V	$V_{3.3}$	-0.3	3.9	V
DC supply voltage 1.8 V	$V_{1.8}$	-0.3	2.19	V
Input voltage (pins 2, 3, 7, 9, 11)	V_{IN}	-0.3	$V_{3.3} + 0.3$	V
Input current (pins 2, 3, 7, 9, 11)	I_{IN}	-10	+10	mA
Operating ambient temperature	T_{OP}	-10	+70	°C
Storage temperature	T_{STG}	-55	150	°C
RF input level		—	10	dBm
ESD protection (pins 1–44)		—	2	kV

Notes:

1. Permanent damage may occur if the absolute maximum ratings are exceeded. Functional operation should be restricted to the conditions as specified in the operations sections of this data sheet. Exposure to absolute maximum rating conditions for extended periods may affect device reliability.
2. The Si2107/08/09/10 is a high-performance RF integrated circuit. Handling and assembly of these devices should only be done at ESD-protected workstations.

Table 3. DC Characteristics $(V_{3.3} = 3.3 \text{ V} \pm 10\%, V_{1.8} = 1.8 \text{ V} \pm 5\%, T_A = 0\text{--}70 \text{ }^\circ\text{C})$

Parameter	Symbol	Test Condition	Min	Typ	Max	Unit
Supply current 3.3 V	$I_{3.3}$	45 Mbaud, CR 7/8 ¹	—	313	339	mA
		20 Mbaud, CR 2/3 ¹	—	298	335	mA
Supply current 1.8 V	$I_{1.8}$	45 Mbaud, CR 7/8 ¹	—	400	445	mA
		20 Mbaud, CR 2/3 ¹	—	350	446	mA
Input high voltage	V_{IH}	SCL(25), SDA(26)	2.3	—	5.5	V
Input low voltage	V_{IL}	SCL(25), SDA(26)	0	—	0.8	V
Input leakage ²	I_I	SCL(25), SDA(26), RESET(11), XTAL1(35), VSEN/ TDET(7)	—	—	± 10	μA
Output high voltage	V_{OH}		2.4	—	—	V
Output low voltage	V_{OL}		—	—	0.4	V
Output leakage	I_{OL}		—	—	± 10	μA

Notes:

1. LNB dc-dc converter disabled; LNB_EN (CEh[2]) = 0.
2. ISEN(9) is not tested for leakage current.

Table 4. RF Electrical Characteristics

Parameter	Symbol	Test Condition	Min	Typ	Max	Unit
Input power, single channel	$P_{i,ch}$		—	-82 ¹	-10	dBm
Aggregate input power	$P_{i,agg}$		—	—	-7	dBm
Input impedance, balanced	Z_{in}	$Z_{SOURCE} = 75 \Omega$	—	75	—	Ω
Return loss			—	-10	—	dB
Dynamic voltage gain range	Δ_{GV}		—	75	—	dB
Maximum voltage gain	$G_{V(max)}$		—	55	—	dB
Noise figure	NF	Max gain ²	—	+9.5	+12.5	dB
IP3	IP3 ³	Min gain ²	+10	+15	—	dBm
LO leakage	L_{LO}	950 to 2150 MHz	—	-70	—	dBm
LO SSB phase noise	N_{LO}	100 kHz offset	—	-97	—	dBc/Hz
		1 MHz offset	—	-97	—	dBc/Hz
LO DSB phase noise (integrated)	N_{LO}	10 kHz to 1/2 Baud Rate	—	2.1	—	$^\circ\text{rms}$
RF synthesizer spurious		At 20 MHz offset	—	-40	—	dBc
LO oscillator settling time	$t_{s,LO}$		—	100	—	μs

Notes:

1. For a single channel with SR = 27.5 Mbaud, CR = 7/8, and no added noise. Input power range over which bit error rate is less than 2e-4 after Viterbi decoder.
2. Max gain = 0hFFFF in AGC settings registers (25h-26h).
Min gain = 0h0000 in AGC settings registers (25h-26h).
3. IM3 can be calculated as follows: $IM3 = 2 \times (IP3 - P_{in})$.

Table 5. Receiver Characteristics

Parameter	Symbol	Test Condition	Min	Typ	Max	Unit
RF Input frequency range	f_{in}		950	—	2150	MHz
Fine tune step size	f_{step}		—	12.2	—	kHz
Symbol rate range	R_S		1	—	45	MBaud
Carrier offset correction range	f_{car_off}		—	± 10	—	MHz
Carrier lock/acquisition times with <i>QuickLock</i>	TQL	45 MBaud, Offset = ± 10 MHz*	—	0.02	—	Sec
		27.5 MBaud, Offset = ± 10 MHz*	—	0.03	—	Sec
		20 MBaud, Offset = ± 10 MHz*	—	0.04	—	Sec
		10 MBaud, Offset = ± 10 MHz*	—	0.05	—	Sec
		5 MBaud, Offset = ± 10 MHz*	—	0.08	—	Sec
		2 MBaud, Offset = ± 10 MHz*	—	0.14	—	Sec
		1 MBaud, Offset = ± 10 MHz*	—	0.25	—	Sec
<p>*Note: For signal with C/N = 8.5 dB Pin = -40 dBm, Channel frequency = 1560 MHz. The code rate has no impact on acquisition time.</p>						

Table 6. LNB Supply Characteristics (Si2108/10 Only)

Parameter	Symbol	Test Condition	Min	Typ	Max	Unit
Supply voltage	V_{LNB_IN}		10.8	12	13.2	V
Converter switch frequency			237	264	290	kHz
Output HIGH voltage		VHIGH = 1101	17.75	18.625	19.5	V
		VHIGH = 1000	17.0	18.0	19.0	V
Output LOW voltage		VLOW = 1101	12.75	13.375	14.0	V
		VLOW = 1100	12.5	13.25	14.0	V
Low to high transition time		13 to 18 V	—	1	—	ms
High to low transition time		18 to 13 V	—	1	—	ms
Line regulation		$V_{CC} = 8$ to 13.2 V $I_o = 500$ mA	—	—	250	Δ mV
Load regulation		$I_o = 50$ to 500 mA $V_{CC} = 12$ V	—	—	200	Δ mV
Load capacitance tolerance		DiSEqC 1.x	—	0.75	—	μ F
		DiSEqC 2.x	—	0.25	—	μ F
Output current limiting		ILIM = 00	400	—	550	mA
		ILIM = 01	500	—	650	mA
Peak LNB supply input current		IMAX = 01	1.4	1.6	1.92	A
Tone frequency	f_{tone}		20	22	24	kHz
Tone amplitude			500	650	800	mV
Tone duty cycle			40	50	60	%
Tone rise and fall time			3	6	10	μ s
Tone detector frequency capture range			17.6	—	26.4	kHz
Tone detector input amplitude			200	—	1000	mV _{pp}

Note: Specifications based on recommended schematics in Figure 8 and Figure 9.

Table 7. I²C Bus Characteristics

Parameter	Symbol	Test Condition	Min	Typ	Max	Unit
SCL clock frequency	f_{SCL}		0	—	400	kHz
Bus free time between START and STOP condition	t_{BUF}		1.3	—	—	μ s
Hold time (repeated) START condition. (After this period, the first clock pulse is generated.)	$t_{HD, STA}$		0.6	—	—	μ s
LOW period of SCL clock	t_{LOW}		1.3	—	—	μ s
HIGH period of SCL clock	t_{HIGH}		0.6	—	—	μ s
Data setup time	$t_{SU, DAT}$		100	—	—	ns
Data hold time	$t_{HD, DAT}$		0	—	0.9	μ s
SCL and SDA rise and fall time	t_r, t_f		—	—	300	ns
Setup time for a repeated START condition	$t_{SU, STA}$		0.6	—	—	μ s
Setup time for STOP condition	$t_{SU, STO}$		0.6	—	—	μ s
Capacitive load for each bus line	C_B		—	—	400	pF

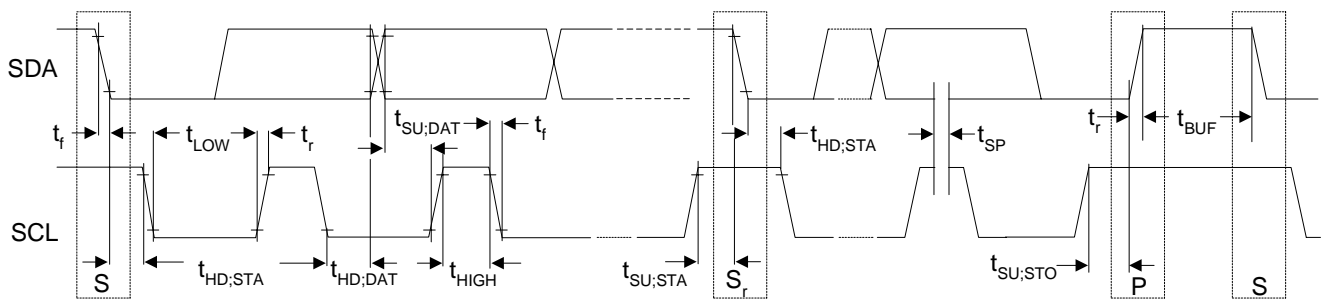


Figure 1. I²C Timing Diagram

Table 8. MPEG-TS Specifications (Rising Launch and Capture)

Parameter	Symbol	Test Condition	Min	Typ	Max	Unit
Clock cycle time	t_{cycle}	Serial mode	11.3	—	28.6	ns
		Parallel mode	77	—	8000	ns
Clock low time	t_{clow}	Serial mode (TSSCR = 11)	5.1	—	6.9	ns
		Serial mode (TSSCR = 00)	12.0	—	15.8	ns
		Parallel mode	39	—	4000	ns
Clock high time	t_{chigh}	Serial mode (TSSCR = 01)	5.1	—	6.9	ns
		Serial mode (TSSCR = 11)	12.0	—	15.8	ns
		Parallel mode	39	—	4000	ns
Hold time	t_{hold}	Normal operation	—	0	—	ns
		Data delayed (TSDD = 1)	—	1.5	—	ns
		Clock delayed (TSCD = 1)	—	-1.5	—	ns
Setup time	t_{setup}	Normal operation	—	$t_{\text{cycle}} - 1.5$	—	ns
		Data delayed (TSDD = 1)	—	$t_{\text{cycle}} - 3.0$	—	ns
		Clock delayed (TSCD = 1)	—	t_{cycle}	—	ns
Access time	t_{access}		—	1.5	—	ns

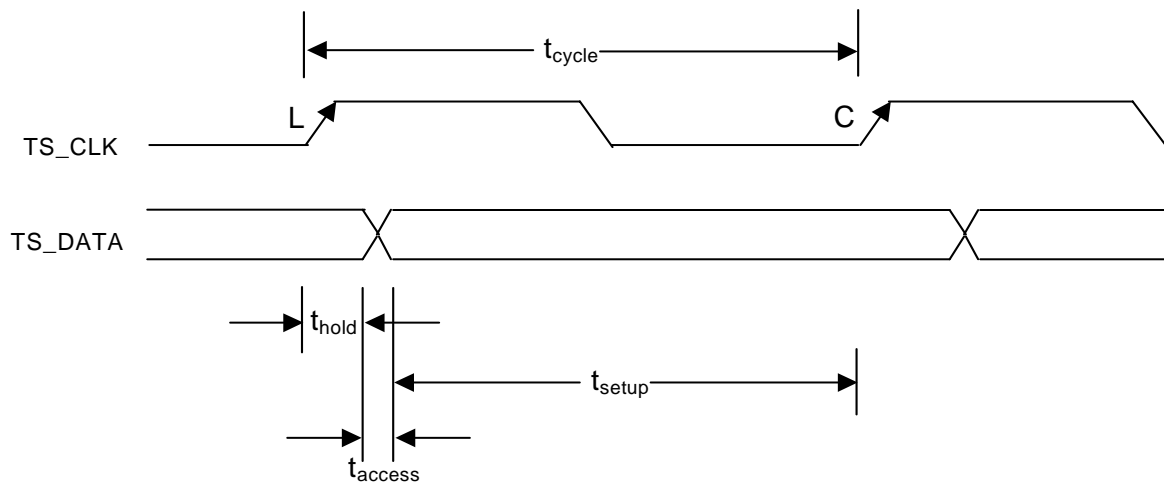


Figure 2. MPEG-TS (Rising Launch and Capture) Timing Diagram

Table 9. MPEG-TS Specifications (Rising Launch, Falling Capture)

Parameter	Symbol	Test Condition	Min	Typ	Max	Unit
Clock cycle time	t_{cycle}	Serial mode	11.3	—	28.6	ns
		Parallel mode	77	—	8000	ns
Clock low time	t_{clow}	Serial mode (TSSCR = 11)	5.1	—	6.9	ns
		Serial mode (TSSCR = 00)	12.0	—	15.8	ns
		Parallel mode	39	—	4000	ns
Clock high time	t_{chigh}	Serial mode (TSSCR = 01)	5.1	—	6.9	ns
		Serial mode (TSSCR = 11)	12.0	—	15.8	ns
		Parallel mode	39	—	4000	ns
Hold time	t_{hold}	Normal operation	—	$t_{\text{cycle}}/2$	—	ns
		Data delayed (TSDD = 1)	—	$t_{\text{cycle}}/2 + 1.5$	—	ns
		Clock delayed (TSCD = 1)	—	$t_{\text{cycle}}/2 - 1.5$	—	ns
Setup time	t_{setup}	Normal operation	—	$t_{\text{cycle}}/2 - 1.5$	—	ns
		Data delayed (TSDD = 1)	—	$t_{\text{cycle}}/2 - 3.0$	—	ns
		Clock delayed (TSCD = 1)	—	$t_{\text{cycle}}/2$	—	ns
Access time	t_{access}		—	1.5	—	ns

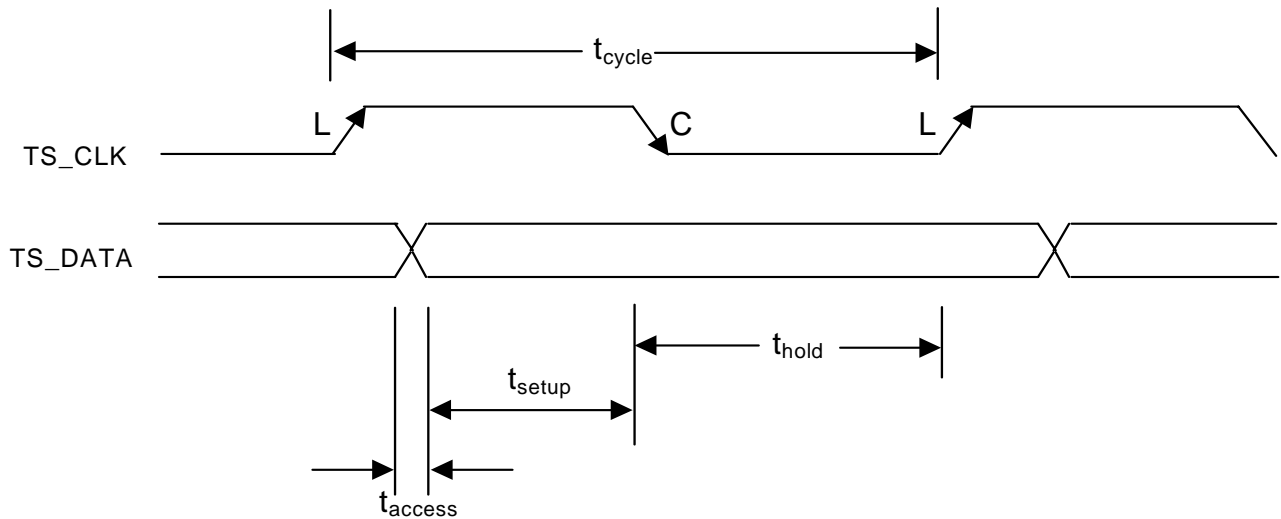


Figure 3. MPEG-TS (Rising Launch, Falling Capture) Timing Diagram

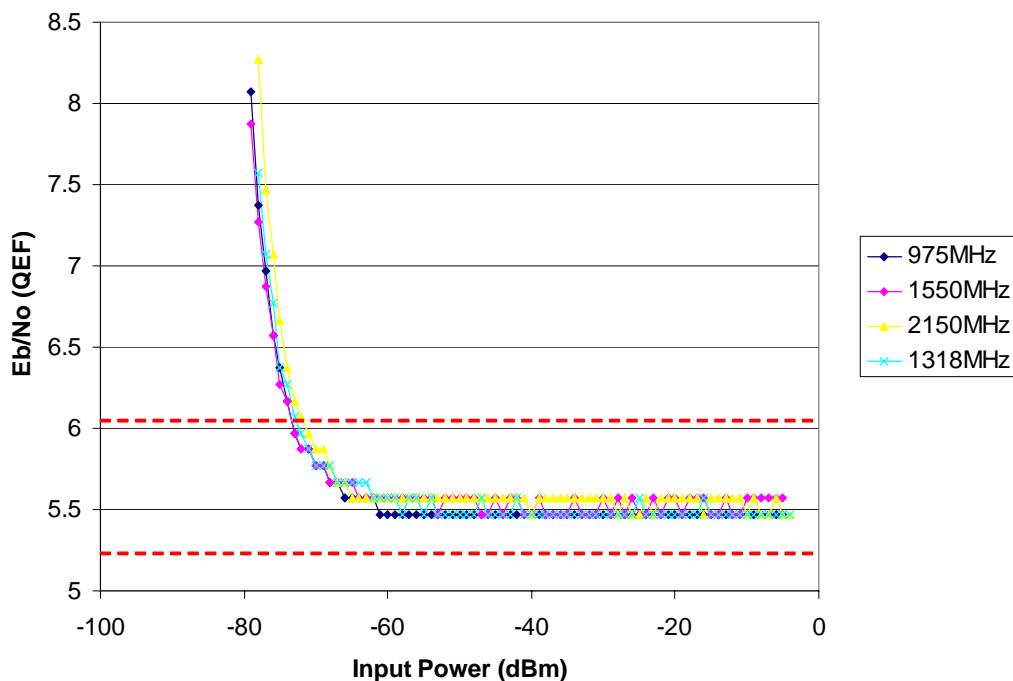


Figure 4. Eb/No (QEF Operation) vs. Input Power for Si2107/08/09/10 (Typical)
SR = 27.5 Mbaud, CR = 7/8

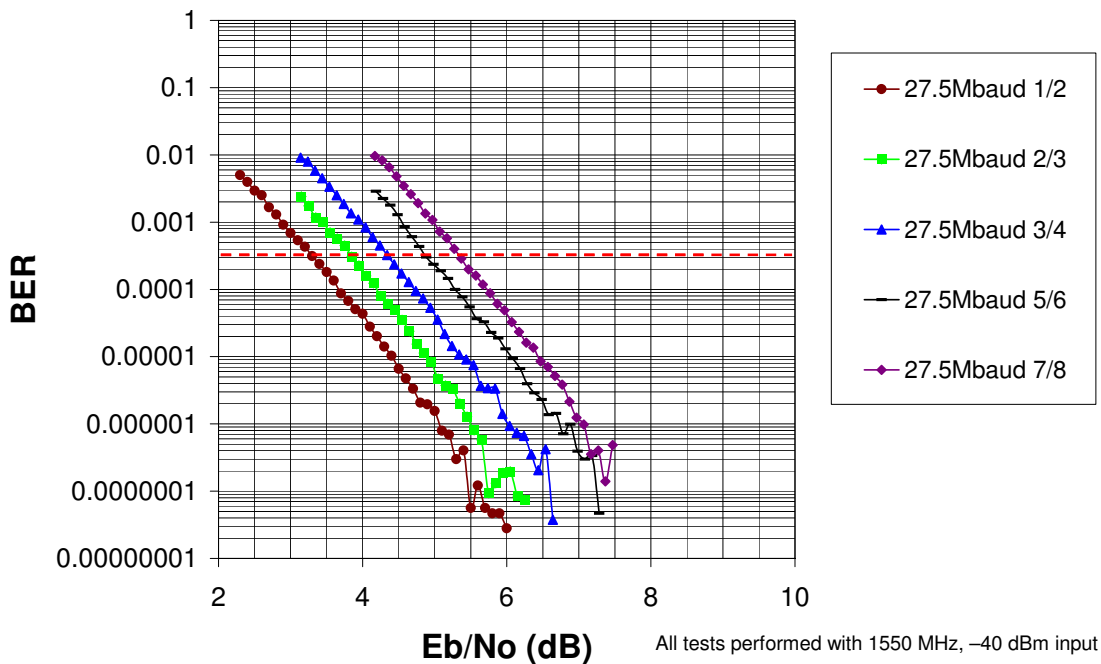


Figure 5. BER After Viterbi vs. Eb/No for Si2107/08/09/10

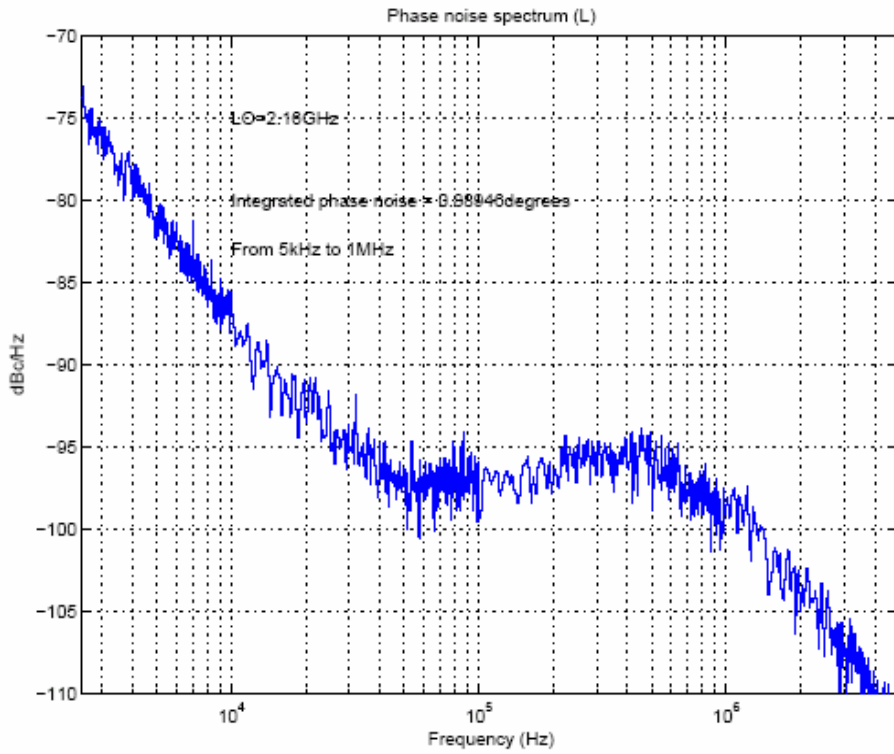


Figure 6. Phase Noise Performance for Si2107/08/09/10 (Typical)

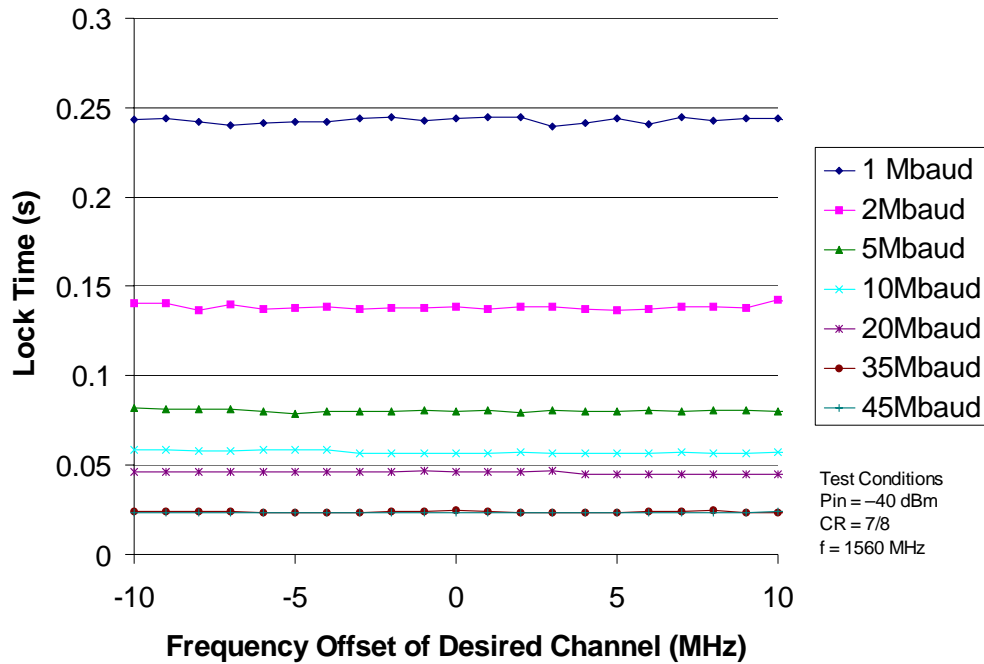


Figure 7. Frequency Offset vs. Carrier Lock/Acquisition Time for Various Baudrates Using QuickLock (Typical)

2. Typical Application Schematics

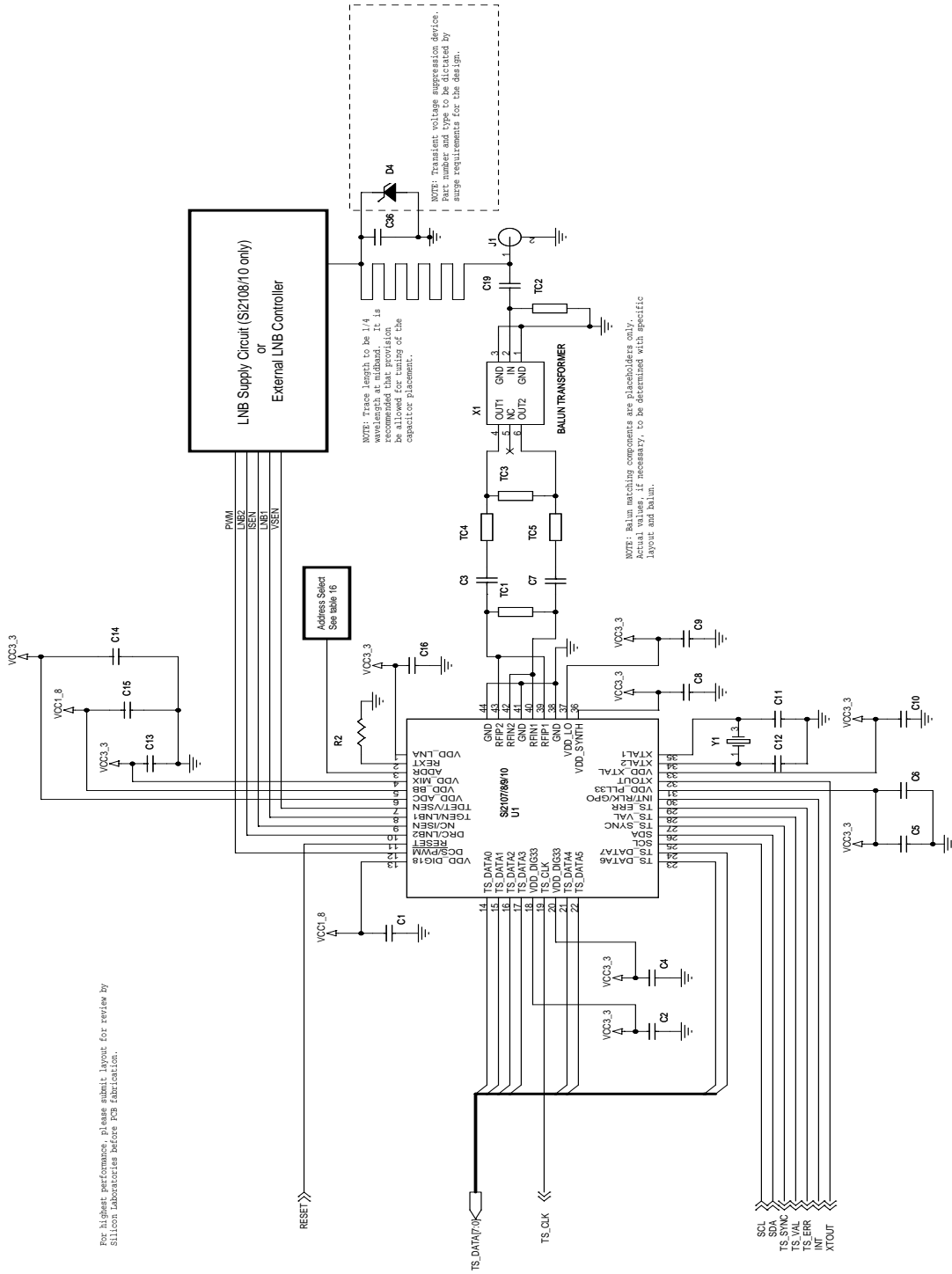
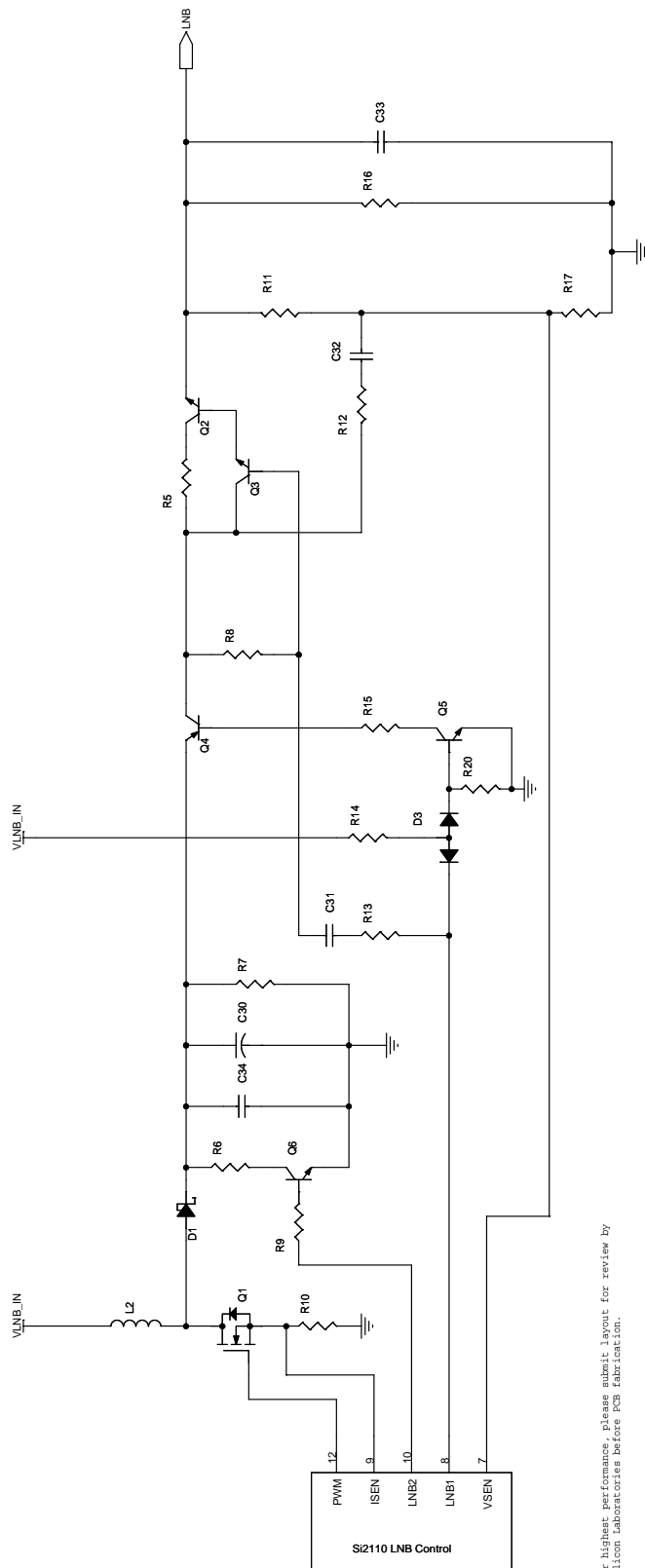


Figure 8. Si2107/08/09/10 Schematic



For highest performance, please submit layout for review by Silicon Laboratories before PCB fabrication.

Figure 9. DiSeqC 1.x LNB Supply Circuit

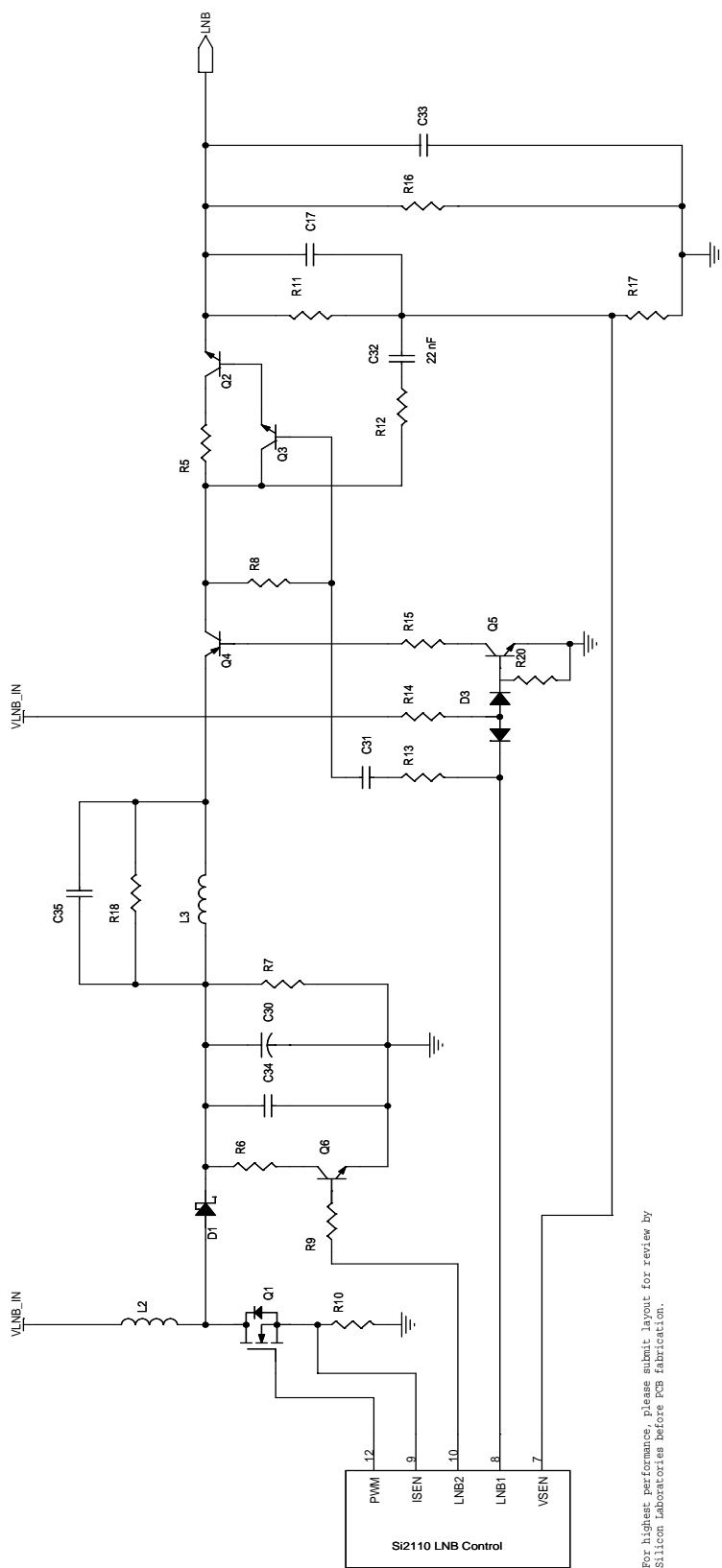


Figure 10. DiSEqC 2.x LNB Supply Circuit

3. Bill of Materials

Table 10. Si2107/08/09/10 Bill of Materials

Component	Description	Vendor
C1,C2,C4,C6,C10,C8,C9,C13,C14, C15,C16	0.1 μ F, X7R, \pm 20%	
C5	0.01 μ F, X7R, \pm 20%	
C3,C7,C11,C12	33 pF, 6 V, NP0, \pm 10%	
C19,C36	33 pF, 50 V, NP0, \pm 10%	
D4	Transient voltage suppressor, 20 V ¹	Littlefuse SMCJ20CA
J1	Connector, F-type, 75 Ω , 950-2150 MHz	
R2	4.53 k Ω , 62.5 mW, \pm 1%	
X1	Balun transformer	Anaren B0922J7575A00
TC1-5 ²	Tuning components	
Y1	20 MHz, 20 pF, 50 ppm, 50 Ω ESR	
U1	Si2107/08/09/10	Silicon Laboratories

Notes:

1. Transient voltage suppression device should be selected to match the surge requirements of the application.
2. Tuning component values depend on balun selected and layout. Please contact Silicon Laboratories for assistance reviewing layouts and selecting matching components.

Table 11. DiSEqC 1.x LNB Supply Bill of Materials (Si2108/10 Only)

Component	Description	Vendor
C30	47 μ F, 25 V, Electrolytic, \pm 20%	
C31	0.47 μ F, 25 V, X7R, \pm 20%	
C32	22 nF, 25 V, X7R, \pm 20%	
C33	0.22 μ F, 25 V, X7R, \pm 20%	
C34	4.7 μ F, 25 V, X7R, \pm 20%	
D1	CMPSH1-4, 40 V, 1 A ZHCS750TA, 40 V, 750 mA	Central Semiconductor Zetex
D3	MMBD1705, Dual diode, 20 V, 25 mA	Fairchild
L2	DR78098, 33 μ H, 2.4 A, 20% SD0705-330K-R-SL	Datatronic ACT
Q1	ZXMN3B14 FDN337N	Zetex Fairchild
Q2	FMMT618	Zetex
Q3,Q5	MMBT3904	Infineon
Q6	MMBT4401	Infineon
Q4	FMMT718	Zetex
R5	1.3 Ω , 500 mW, \pm 5%	
R6	33 Ω , 250 mW, \pm 5%	
R7	10 k Ω , 62.5 mW, \pm 5%	
R8	1 k Ω , 250 mW, \pm 5%	
R9	680 Ω , 125 mW, \pm 5%	
R10	0.22 Ω , 1 W, \pm 5%	
R11	22 k Ω , 62.5 mW, \pm 1%	
R12,R20	20 k Ω , 62.5 mW, \pm 5%	
R13	33 Ω , 62.5 mW, \pm 5%	
R14	20 k Ω , 62.5 mW, \pm 5%	
R15	1.5 k Ω , 100 mW, \pm 5%	
R16	2 k Ω , 250 mW, \pm 5%	
R17	2.2 k Ω , 62.5 mW, \pm 1%	

Table 12. DiSEqC 2.x LNB Supply Bill of Materials (Si2108/10 Only)

Component	Description	Vendor
C17	1200 pF, 25 V, X7R, ± 20%	
C30	47 µF, 25 V, Electrolytic, ± 20%	
C31,C35	0.47 µF, 25 V, X7R, ± 20%	
C32	22 nF, 25 V, X7R, ± 20%	
C33	0.22 µF, 25 V, X7R, ± 20%	
C34	4.7 µF, 25 V, X7R, ± 20%	
D1	CMPSH1-4, 40 V, 1 A ZHCS750TA, 40 V, 750 mA	Central Semiconductor Zetex
D3	MMBD1705, Dual diode, 20 V, 25 mA	Fairchild
L2	DR78098, 33 µH, 1.2 A, 20% SD0705-330K-R-SL	Datatronic ACT
L3	DR78097, 100 µH, 500 mA, 20% SD0504-101K-R-SL	Datatronic ACT
Q1	ZXMN3B14 FDN337N	Zetex Fairchild
Q2	FMMT618	Zetex
Q3,Q5,Q6	MMBT3904	Fairchild
Q4	FMMT718	Zetex
R5	1.3 Ω, 500 mW, ±5%	
R6	33 Ω, 250 mW, ±5%	
R7	10 kΩ, 62.5 mW, ±5%	
R8	1 kΩ, 250 mW, ±5%	
R9	680 Ω, 125 mW, ±5%	
R10	0.22 Ω, 1W, ±5%	
R11	22 kΩ, 62.5 mW, ±1%	
R12,R20	20 kΩ, 62.5 mW, ±5%	
R13	33 Ω, 62.5 mW, ±5%	
R14	43 kΩ, 62.5mW, ±5%	
R15	3 kΩ, 100 mW, ±5%	
R16	2 kΩ, 250 mW, ±5%	
R17	2.2 kΩ, 62.5 mW, ±1%	
R18	16 Ω, 250 mW, ±5%	

4. Part Versions

There are four pin- and software-compatible versions of this device. All versions include the L-band tuner, DVB-S/DSS demodulator and channel decoder, and LNB signaling controller. Furthermore, the Si2108 and Si2110 integrate an efficient LNB supply regulator while allowing operation with an external LNB supply regulator circuit. The LNB supply controller utilizes a step-up converter architecture. In case operation with an external regulator is desired, Si2107 and Si2109 can be used; these do not integrate the LNB step-up dc-dc controller.

On the other hand, the Si2109 and Si2110 integrate an on-chip “blindscan” accelerator, *QuickScan*, which allows the implementation of a very fast channel scan, an important feature for end products targeted to free-to-air (FTA) applications in which channel frequencies and symbol rates are unknown. Si2107 and Si2108 do not integrate this accelerator and are a good fit when symbol rates and frequencies of satellite channels are known, as in the case of pay-TV receivers or for FTA receivers in which the embedded firmware contains the channel tuning information. Table 13 summarizes the differences between part versions.

Table 13. Device Versions

Part Number	DVB-S/DSS Integrated Tuner/ Demodulator with Integrated LNB Messaging	LNB Supply Regulator	<i>QuickScan</i>
Si2110	Y	Y	Y
Si2109	Y	N	Y
Si2108	Y	Y	N
Si2107	Y	N	N

5. Functional Description

The Si2107/08/09/10 is a family of highly-integrated CMOS RF satellite receivers for DVB-S and DSS applications. The device is an ideal solution for satellite set-top boxes, digital video recorders, digital televisions, and satellite PC-TV. The IC incorporates a tuner, demodulator, and LNB controller into a single device resulting in a significant reduction in board space and external component count. The device supports symbol rates of 1 to 45 Mbaud over a 950 to 2150 MHz range. A full suite of features including automatic acquisition, fade recovery, blind scanning, performance monitoring, and DiSEqC™ Level 2.2 compliant signaling are supported. The Si2110 and Si2108 further add short-circuit protection, overcurrent protection, and a step-up dc-dc controller to implement a low-cost LNB supply. Furthermore, the Si2109 and Si2110 have an on-chip blindscan accelerator. An I²C bus interface is used to configure and monitor all internal parameters.

5.1. Tuner

The tuner is designed to accept RF signals within a 950 to 2150 MHz frequency range. The tuner block consists of a low-noise amplifier (LNA), variable gain attenuators, a local oscillator, quadrature downconverters, and anti-aliasing filters. The LNA and variable gain stages provide balance between the noise figure and linearity characteristics of the system. When all gain stages are combined, the device provides more than 80 dB of gain range. The desired tuning frequency can be adjusted in intervals of 12.2 kHz, without the aid of external varactors, using a unique two-stage tuning algorithm that is supplied with the software driver. The rapid settling time of the local oscillator improves channel acquisition and switching performance. The PLL loop filter has been completely integrated into the device resulting in low tuner phase noise, improved spurious response, and reduced BOM cost. An external 20 MHz crystal unit generates the reference frequency for the system.

5.2. Demodulator

The demodulator supports QPSK and BPSK demodulation of channels between 1 to 45 Mbaud. It incorporates the following functional blocks: analog-to-digital converters (ADCs), dc notch filters, I/Q imbalance corrector, decimation filters, matched filters, equalizer, digital automatic gain controls, and a soft-decision decoder. The demodulator supports rapid channel acquisition using an advanced carrier offset estimation algorithm. When combined with the Si2109/10's blind scanning capabilities, the device becomes an ideal solution for the free-to-air (FTA) and common interface (CI) market. Automatic acquisition and fade recovery sequencers are also included to reduce the required amount of software interaction and to simplify the overall design. The output of the demodulator is quantized into a 4-bit number by the soft-decision decoder. The use of soft-decision decoding improves the error correction capabilities of the channel decoder.

5.3. DVB-S/DSS Channel Decoder

The Si2107/08/09/10 integrates a full-channel decoder, which can be configured in either DSS or DVB-S mode and consists of a soft-decision Viterbi decoder, de-interleaver, Reed-Solomon decoder, and energy-dispersal descrambler.

5.3.1. Viterbi decoder

The Viterbi decoder performs maximum likelihood estimation of convolutional codes in compliance with DVB-S and DSS standards. The decoder is capable of detecting code rate, puncturing pattern phase, 90° phase rotation, and I/Q interchange. Supported code rates are listed in Table 14.

Table 14. Viterbi Code Rates

DVB-S	DSS
1/2	1/2
2/3	2/3
3/4	—
5/6	—
—	6/7
7/8	—

The device allows monitoring of the Viterbi bit-error rate (BER) over a finite or infinite measurement window.

5.3.2. Convolutional De-Interleaver

The deinterleaver disassembles the Reed-Solomon (RS) code words, which were interleaved by the modulator, to provide better resilience against burst errors. The Si2107/08/09/10 performs deinterleaving according to DVB-S and DSS standards.

5.3.3. Reed-Solomon Decoder

The Si2107/08/09/10 supports RS codes in compliance with DVB-S and DSS specifications. Both standards use a shortened Reed-Solomon code, which can correct up to eight byte errors per information packet. DVB-S utilizes 204 byte codes. DSS utilizes 146 byte codes.

The device allows monitoring of correctable bit, correctable byte, and uncorrectable packet errors over a finite or infinite measurement window. The device also includes a total BER monitor, which compares received data from a modulated PRBS sequence against the same sequence generated from an on-chip PRBS generator.

5.3.4. Energy-Dispersal Descrambler

The descrambler removes the energy dispersal scrambling introduced by the DVB-S process. The descrambler is automatically bypassed in DSS mode.

5.4. On-Chip Blindscan Controller: *Quick-Scan* (Si2109/10 Only)

The device includes on-chip *QuickScan* circuitry to facilitate extremely fast detection of available satellite channels. For each valid DVB-S/DSS channel, the tuning frequency and symbol rate, which can be stored by the host for subsequent tuning, are determined. On Si2107/08 devices, the host needs to provide the channel tuning frequency and symbol rate to the device.

5.5. LNB Signaling Controller

The device supports several LNB signaling methods including dc voltage selection, continuous tone, tone burst, DiSEqC 1.x- and DiSEqC 2.x-compliant messaging, and several combinations of these to allow simultaneous operation with legacy tone/burst and DiSEqC-capable peripherals.

Si2107/09 includes the capability to convert I²C signaling commands to signals that interface to an external LNB supply regulator circuit. In the case of (bi-directional) DiSEqC operation, the device modulates (and demodulates) the PWK data to (and from) an internal message FIFO, which the host uses to write (and read) DiSEqC messages. In the case of transmission, the device can generate either the 22 kHz tone burst directly or generate a tone envelope for when an external LNB supply controller is used, which includes the 22 kHz oscillator.

5.6. On-Chip LNB DC-DC Step-Up Controller (Si2108/10 Only)

Next to the LNB message signaling controller, the device also integrates the LNB supply regulator controller. The supported LNB supply regulator architecture consists of a step-up dc-dc (boost) converter followed by an efficient filter, linefeed, and DiSEqC transmit/receive circuit, which implements a very power-efficient LNB supply solution. This facilitates a complete LNB supply circuit with only a minimal number of external components.

5.7. Crystal Oscillator

The crystal oscillator requires a crystal with a resonant fundamental frequency of 20 MHz to generate the reference frequency for the local oscillator. A single crystal can be shared between two devices by utilizing the master-slave configuration shown in Figure 11.

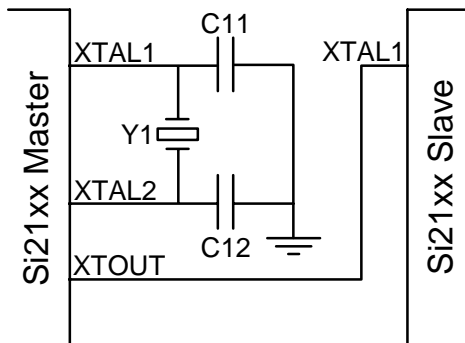


Figure 11. Master-Slave Crystal Sharing

6. Operational Description

The following sections discuss the user-programmable functionality offered by the corresponding register map sections. Refer to Table 19, "Register Summary," on page 38 and detailed register descriptions starting on page 42.

6.1. System Configuration

The MPEG Transport Stream (TS) output interface carries the decoded satellite data to external devices for further processing. Both DVB-S and DSS receiver modes and associated output data packet formats are supported. Mode selection is controlled via the system mode register, SYSM. QPSK or BPSK demodulation is set via the modulation type (MOD) register.

The MPEG-TS output interface consists of the following output pins:

- TS_DATA[7:0] Data
- TS_CLK Clock

- TS_SYNC Sync/Frame Start Indicator
- TS_VAL Valid Data Indicator
- TS_ERR Uncorrectable Packet Error

The start of a TS frame is indicated by the TS_SYNC signal. The TS_SYNC signal is a pulse that is active during the sync byte in a DVB-S frame or during the first byte of a DSS frame and is active only while TS synchronization exists. In serial mode, the TS_SYNC pulse can be programmed to be active for the whole byte, or the first bit only, by setting the TSSL bit. The polarity of the TS_SYNC pulse can be programmed to be either active high or active low using the TSSP bit.

The TS_VAL output is used to indicate when valid data is present. TS_VAL is active during the MPEG-TS frame packet data and inactive while parity data is being output or when there is no TS synchronization. The polarity of the TS_VAL output can be programmed to be active high or active low using the TSVP bit.

The TS_ERR output indicates that an uncorrectable error has been detected in the RS decoding stage and that the current TS data packet contains uncorrectable errors. The TS_ERR output is active during the entire erred TS frame. The polarity of TS_ERR can be programmed to be active high or active low using the TSEP bit.

All signals on the MPEG-TS output interface can be individually tri-stated using bits TSE_OE, TSV_OE, TSS_OE, TSC_OE, and TSD_OE.

Transport stream data can be output in a parallel byte-wide mode or a serial bit-wide mode for system-level flexibility. Selection of the interface mode is controlled via the TSM bit. In serial mode, data is output on TS_DATA[0] while TS_DATA[7:1] are held low. The direction of the serial data stream may be programmed to output in an MSB or LSB first direction using the TSDF bit. Parity data may be optionally zeroed by setting the TSPG bit. To support board-level timing modifications, the data stream may be delayed by setting TSDD.

The transport stream clock can be programmed such that data is transitioning on its rising or falling edge using the TSCE bit. In both serial and parallel mode, the transport stream clock mode bit, TSCM, can be used to select either a gapped or continuous clock mode. In the gapped mode, the clock is active only when data is being output. For this, parity information is not considered data when the TSPG is set to output zero data during parity. In the continuous mode, the clock runs without regard to data being output, and the user will use TS_VAL as a data strobe. To support board-level timing modifications, the clock stream may be delayed by register bit TSCD.

In serial mode, the transport stream clock rate range is determined by the TSSCR register. The exact rate is determined during the acquisition process. The range that minimizes the difference between the effective transport stream data rate and the clock rate should be chosen. The recommended settings are listed in Table 15.

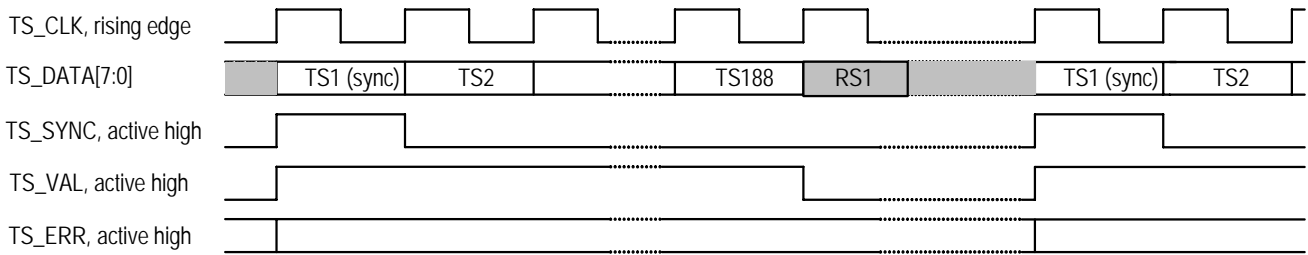
Table 15. Serial MPEG-TS Clock Frequency

TSSCR	Baud Rate	Serial Clock Rate
00	40–50 Mbaud	80–88.5 MHz
01	30–40 Mbaud	76.8–82.8 MHz
10	19–30 Mbaud	54.9–59.2 MHz
11	1–19 Mbaud	35–37.7 MHz

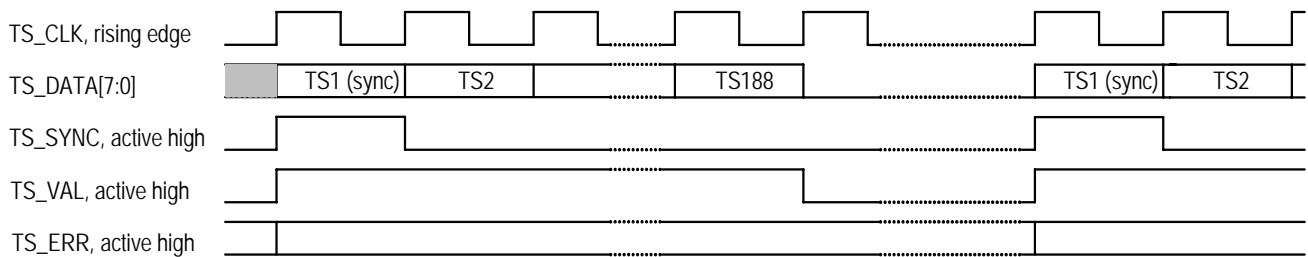
Figure 12 illustrates parallel data modes. Figure 13 illustrates serial data modes. The device has one output pin (pin 30), which can be configured as either a receiver lock indicator, general purpose output, or interrupt output, using the pin select register, PSEL. The receiver lock indicator provides a signal output for register bit RCVL. The general purpose output reflects the polarity of register bit GPO. The interrupt output is discussed further in "6.2. Interrupts".

The user can configure the device such that components of the channel decoder are bypassed. This is controlled by the energy-dispersal descrambler bypass bit, DS_BP, the Reed-Solomon decoder bypass bit, RS_BP, and the convolutional de-interleaver bypass bit, DI_BP. The use of these bypass options is defined for the implementation of a BER test on a known modulated PRBS data sequence as explained later in "6.5. Channel Decoder" on page 29.

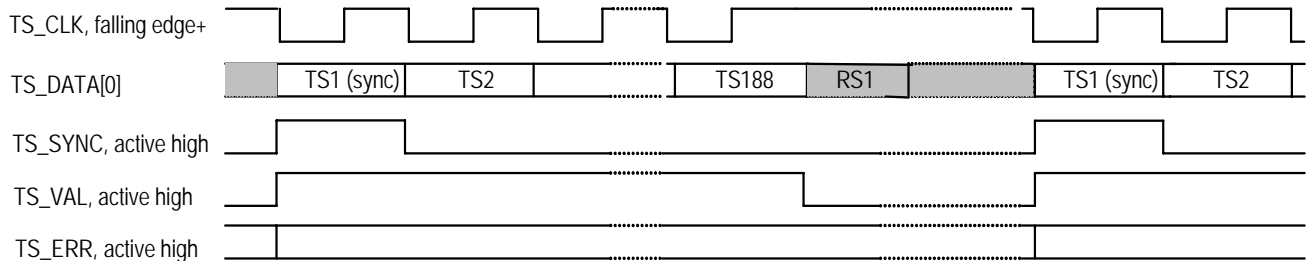
Continuous Parallel Data Mode : TSM = 1, TSCM = 1, TSPG = 0



Continuous Parallel Data Mode : TSM = 1, TSCM = 1, TSPG = 1



Gapped Parallel Data Mode: TSM = 1, TSCM = 0, TSPG = 0



Gapped Parallel Data Mode: TSM = 1, TSCM = 0, TSPG = 1

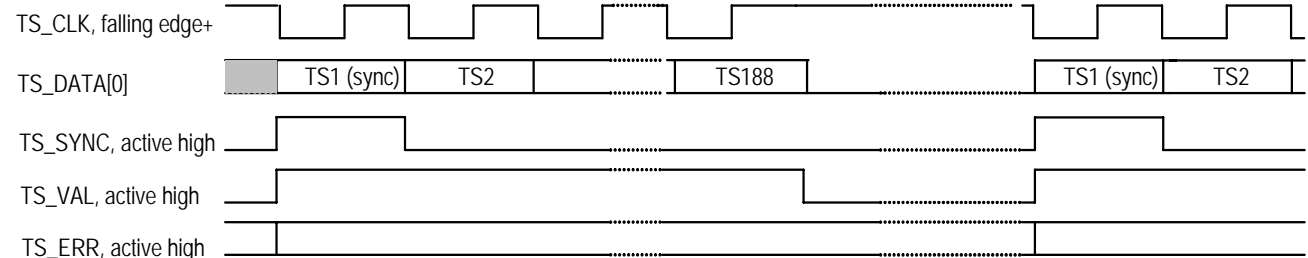
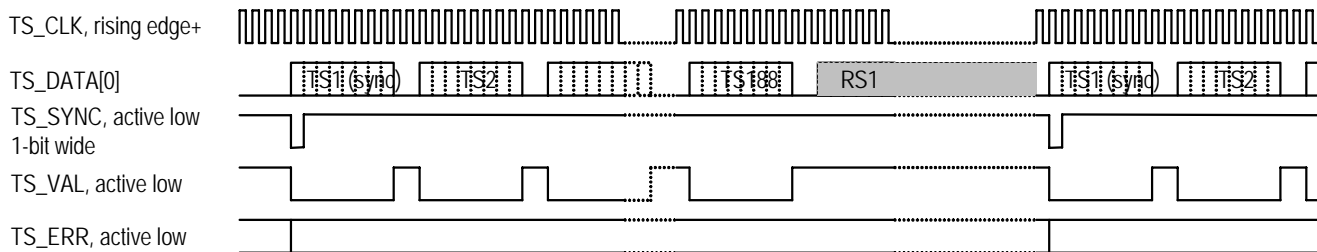
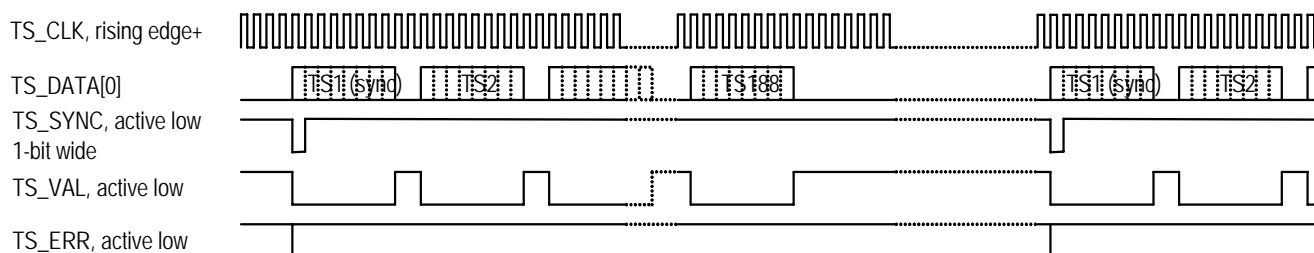


Figure 12. MPEG-TS Parallel Mode

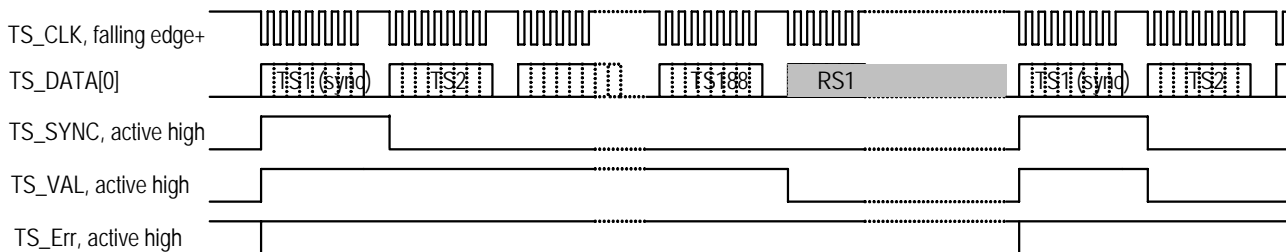
Continuous Serial Data Mode: TSM = 0, TSCM = 1, TSPG = 0



Continuous Serial Data Mode: TSM = 0, TSCM = 1, TSPG = 1



Gapped Serial Data Mode: TSM = 0, TSCM = 0, TSPG = 0



Gapped Serial Data Mode: TSM = 0, TSCM = 0, TSPG = 1

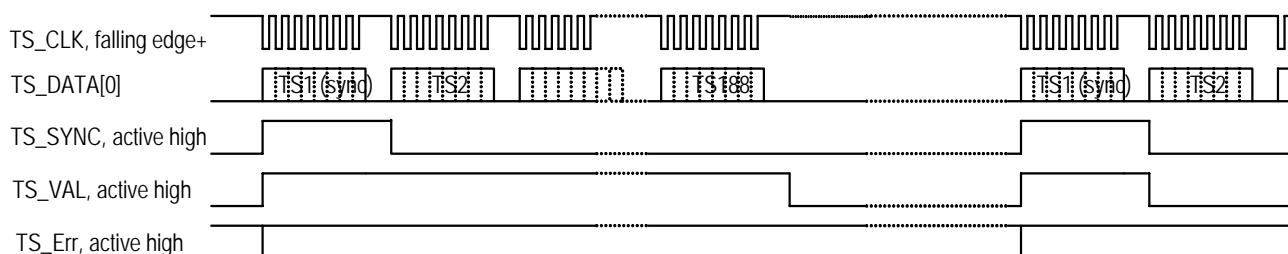


Figure 13. MPEG-TS Serial Modes

6.2. Interrupts

The device is equipped with several sticky interrupt bits to provide precise event tracking and monitoring.

Next to interrupts being signaled via the I²C register map, the user can program one of the device terminals (INT) as a dedicated interrupt pin via the pin select register bit, PSEL. The device contains an extensive collection of interrupt sources that can be individually masked from the INT pin using the corresponding interrupt enable register bits, labeled with suffix “_E”. Thus, the INT output is a logical-OR of all enabled interrupts. Generation of the channel interrupt on pin

INT can be masked off by using the interrupt enable bit, INT_EN. Note that interrupt reporting in the register map is not affected by INT_EN.

The interrupt signal polarity can be configured to be active high or active low using the interrupt polarity bit, INTP. The interrupt signal type can be configured to be CMOS output or open-drain/source output using the interrupt type bit, INTT. Interrupt bits are set by the device to 1 when an interrupt occurs. The host clears an interrupt bit by writing a 1 again, at which time the device resets the interrupt bit to zero. Table 16 illustrates the interrupt sources and their associated status, enable, and interrupt bits.

Table 16. Events, Interrupts, and Status Bits

Event	Interrupt Bit	Enable Bit	Status Bit
Receiver lock	RCVL_I	RCVL_E	RCVL (0 → 1)
Receiver unlock	RCVU_I	RCVU_E	RCVL (1 → 0)
AGC lock	AGCL_I	AGCL_E	AGCL (0 → 1)
AGC failure			AGCF (0→1)
AGC threshold	AGCTS_I	AGCTS_E	AGCTS (0 → 1)
Carrier estimation lock	CEL_I	CEL_E	CEL (0 → 1)
Carrier estimation failure			CEF(0→1)
Symbol rate est. lock			SRL (0 → 1)
Symbol rate est. failure			SRF (0→1)
Symbol timing lock	STL_I	STL_E	STL (0 → 1)
Symbol timing unlock	STU_I	STU_E	STL (1 → 0)
Carrier recovery lock	CRL_I	CRL_E	CRL (0 → 1)
Carrier recovery unlock	CRU_I	CRU_E	CRL (1 → 0)
Viterbi lock	VTL_I	VTL_E	VTL (0 → 1)
Viterbi unlock	VTU_I	VTU_E	VTL (1 → 0)
Frame synchronizer lock	FSL_I	FSL_E	FSL (0 → 1)
Frame synchronizer unlock	FSU_I	FSU_E	FSL (1 → 0)
Acquisition fail	AQF_I	AQF_E	AQF (0 → 1)
C/N measurement complete	CN_I	CN_E	
Viterbi BER measurement complete	VTER_I	VTER_E	
RS measurement complete	RSER_I	RSER_E	
Message FIFO empty	FE_I	FE_E	
Message FIFO full	FF_I	FF_E	
Message received	MSGR_I	MSGR_E	
Message parity error	MSGPE_I	MSGPE_E	
Message receive timeout	MSGTO_I	MSGTO_E	
Short-circuit detect	SCD_I	SCD_E	
Over current detect	OCD_I	OCD_E	

Table 16. Events, Interrupts, and Status Bits (Continued)

Blindscan done	BSDO_I	BSDO_E	BSDO
Blindscan data ready	BSDA_I	BSDA_E	BSDA

6.3. Receiver Status

During receive operation, the host can retrieve information on the status of AGC lock (AGCL), carrier estimation lock (CEL), symbol rate estimation lock (SRL), symbol timing lock (STL), carrier recovery lock (CRL), Viterbi decoder lock (VTL), frame sync lock (FSL), and overall receiver lock (RCVL).

During channel acquisition, the host can retrieve information on error conditions due to AGC search (AGCF), carrier estimation (CEF), symbol rate search (SRF), symbol timing search (STF), carrier recovery search (CRF), Viterbi code rate search (VTF), frame sync search (FSF), and overall receiver acquisition (AQF),

6.4. Tuning Control

The Si2107/08/09/10 utilizes a unique two-stage tuning algorithm to provide optimal RF reception. The input signal is first mixed down to a low-IF frequency by a coarse tuning stage and then down to baseband by a fine-tune mixer. The user programs both coarse and fine-tuning frequencies using the CTF and FTF registers.

An algorithm (supplied with the reference software driver) is used to automatically calculate the required values. As part of the tuning process, the sample rate, fs, should also be programmed via the ADCSR register. Values between 192 and 207 MHz are supported. An algorithm is supplied with the reference software driver to automatically select the optimal sampling rate.

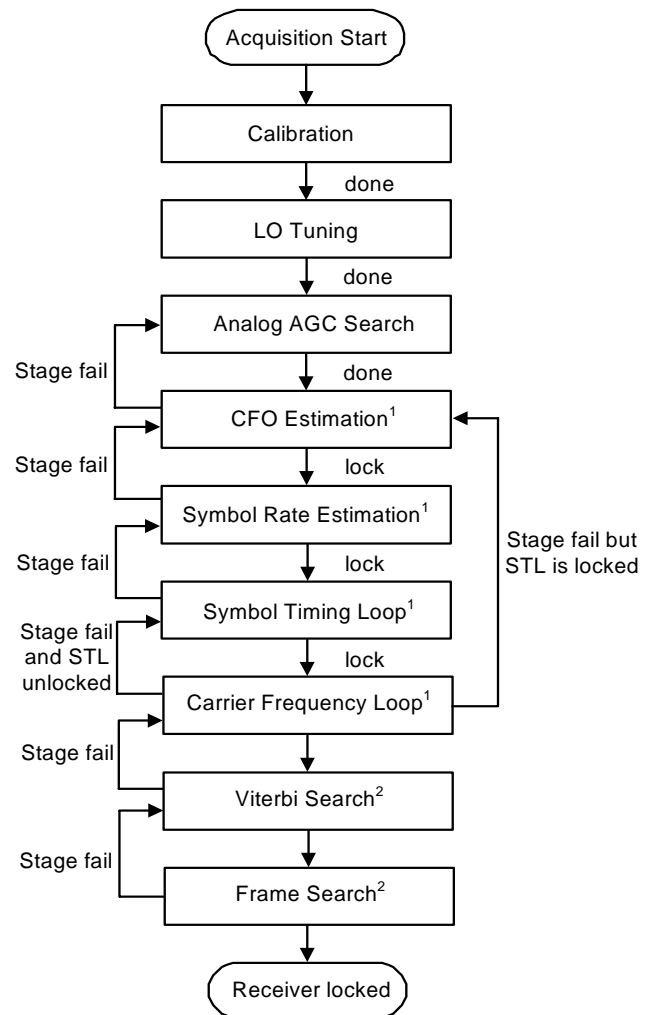
6.4.1. Automatic Acquisition

The receiver acquisition sequence consists of the following stages: Analog AGC Search, Carrier Offset Estimation, Symbol Rate Estimation, Symbol Timing Recovery, Carrier Recovery, Viterbi Search, and Frame Synchronization. For the receiver to lock, each stage must run to completion or declare lock as shown in Figure 14. If a given stage is unable to achieve lock after exhausting a parameter search range or exceeding the timeout period, it asserts a fail signal.

To initiate the acquisition sequence, the user should program the acquisition start bit, AQS. All search parameters must be specified before initiating the acquisition. Upon completion of the acquisition sequence, the AQS bit is automatically cleared. The acquisition sequence can be aborted at any time by clearing the AQS bit.

The status of the acquisition sequence can be monitored via the registers in the receiver status register map section. A successful acquisition is reported by the assertion of the receiver lock bit, RCVL. A failed acquisition is reported by the assertion of the acquisition

fail bit, AQF.



1. Acquisition fail if stage fails n times in a row.
2. Acquisition fail if stage completes parameter range without locking.

Figure 14. Acquisition Sequence (Symbol Rate Estimation Available on Si2109/10 Only)

6.4.2. Carrier Offset Estimation

The desired carrier frequency may be offset from its nominal position due to the imperfections and temperature dependencies of the LNB. The carrier offset estimator uses a search procedure to identify, track, and remove this frequency offset from the system. Carrier offset estimation supports two modes: legacy mode and *QuickLock*. *QuickLock* features decreased search times and enhanced search ranges. Silicon Laboratories highly recommends the use of *Quicklock* mode. Legacy mode is supported for backwards compatibility with revision C of Si2107/08.

The mode selection is programmed with the COEMS bit.

In legacy mode, seven different carrier offset estimation search range scans can be programmed from 0.10 to ~6.0 MHz with register CESR. This mode locates frequency offsets when the carrier falls within the offset search range. Smaller search ranges result in faster search times.

In *QuickLock* mode, an eighth carrier offset estimation search range is added. Ranges from 0.10 to ~12.0 MHz can be programmed with register CESR. *QuickLock* mode locates frequency offsets when the 3dB bandwidth of the channel falls within the offset search range. When the search range is less than the channel bandwidth, *QuickLock* search times further decrease. When using *QuickLock*, set the Inband Power Threshold, 2 dB Bandwidth Threshold, and 3 dB Bandwidth Threshold registers to the *QuickLock* recommended default values before initiating an acquisition. Refer to Silicon Laboratories Application Note "AN298: Si2107/08/09/10 Application Programming Interface Example Software" for the recommended default values. The recommended values are documented in the Signal Acquisition section of the application note.

When carrier offset estimation is complete, the CEL bit is asserted. If an error is detected during carrier offset estimation, the CEF bit is set. Carrier offset estimation commences under the control of the acquisition sequencer.

After the completion of a search, the estimated carrier offset is stored in the carrier frequency error register, CFER. If no signal is found, the CEF bit is asserted. The value contained in CFER may be optionally transferred to the CFO register to adjust the search center frequency and permit the utilization of a smaller search range for subsequent acquisitions. This relationship can be expressed by the following equation:

$$\text{Search center frequency} = f_{\text{desired}} + \text{CFO} \times \frac{f_s}{2^{15}} \text{Hz}$$

6.4.3. Carrier Recovery Loop

The carrier recovery loop is responsible for acquiring frequency and phase lock to the incoming signal. When lock is achieved, the carrier recovery lock indicator, CRL, is asserted. If carrier recovery lock is not achieved within a predefined timeout period, the device declares carrier recovery failure by asserting the CRF bit. The carrier recovery loop commences under the control of the acquisition sequencer.

6.4.4. Symbol Timing Loop

The symbol timing recovery loop is responsible for acquiring and tracking the symbol timing of the incoming data signal. When lock is achieved, the symbol timing loop lock indicator, STL, is asserted. If symbol timing lock is not achieved within a predefined timeout period, the device declares symbol timing loop failure by asserting the STF bit. The symbol timing recovery loop commences under the control of the acquisition sequencer.

6.4.5. Automatic Fade Recovery

The device is designed to automatically recover lock in the event of a fade condition. Fade recovery is performed when any stage loses synchronization after receiver lock has been achieved. It is assumed that symbol rate, code rate, and puncturing pattern have not changed; so, these parameters remain fixed during the attempted reacquisition. The fade recovery sequence is shown in Figure 15.

The fade recovery sequence continues until either receiver lock is achieved or a new acquisition is initiated.

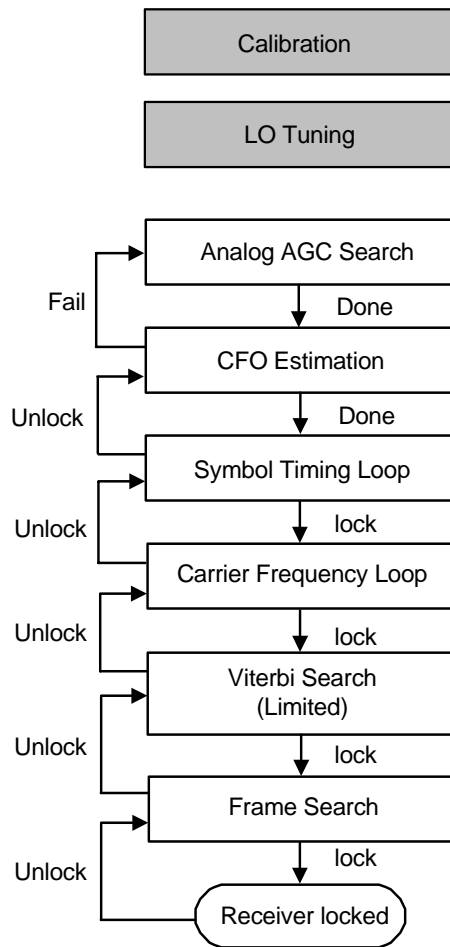


Figure 15. Fade Recovery Sequence

6.4.6. C/N Estimator

A carrier-to-noise estimator is provided to aid in satellite antenna positioning. The C/N measurement mode bit, CNM, controls whether the count is performed over a fixed-length or infinite window. With a fixed-length window, the window size is defined by register CNW. Measurements are stored in a 16-bit saturating register, CNL. Setting the C/N estimator start bit, CNS clears the CNL register and initiates the C/N measurement. When operating in the finite window mode, the CNS bit is automatically cleared when the measurement is complete. The CNS bit must be cleared manually in the infinite mode to stop the count. An external lookup table is used to translate the measurement into a C/N estimate for a given setting of the C/N threshold, CNET, and a given digital AGC setting.

6.5. Channel Decoder

6.5.1. Viterbi Decoder

The Viterbi decoder performs maximum likelihood estimation of convolutional codes in compliance with DVB-S and DSS standards. When lock is achieved, the Viterbi lock indicator, VTL, is asserted. If Viterbi lock is not achieved after exhausting the specified parameter space, the device declares Viterbi search failure by asserting the VTF bit. The Viterbi search commences under the control of the acquisition sequencer.

The device can be programmed to attempt to automatically acquire Viterbi lock using all, one, or a subset of the supported code rates using the VTCS register.

If lock is achieved, the status of the search, including code rate, puncturing pattern phase, 90-degree phase rotation, and I/Q swap, can be monitored in the Viterbi search status registers, VTRS, VTPS, and VTIQS.

6.5.2. Viterbi BER Estimator

The Viterbi BER estimator measures the frequency of bit errors at the input of the Viterbi decoder. The Viterbi BER mode bit, VTERM, controls whether the count is to be performed over a fixed length or infinite window. The window size is defined by VTERW. The BER count is stored in a 16-bit saturating register, VTERC. Setting the Viterbi BER measurement start bit, VTERS, will clear the VTERC register and initiate the measurement. When operating in the finite window mode, the VTERS bit will automatically be cleared when the measurement is complete. The VTERS bit must be cleared manually in the infinite mode to stop the count.

6.5.3. Reed-Solomon Error Monitor

The Reed-Solomon error monitor is capable of counting bit, byte, and uncorrectable packet errors. The error type to be counted is controlled by the Reed-Solomon error type register, RSERT. The Reed-Solomon error mode bit, RSERM, controls whether the count is to be performed over a fixed length or infinite window. The window size is defined by RSERW. The BER count is stored in a 16-bit saturating register, RSERC. Setting the RS BER measurement start bit, RSERS, clears the RSERC register and initiates the measurement. When operating in the finite window mode, the RSERS bit is automatically cleared when the measurement is complete. The RSERS bit must be cleared manually in the infinite mode, to stop the count.

6.5.4. PRBS BER Tester

To facilitate in-system pseudo random bit sequence (PRBS) BER testing, the device provides the ability to synchronize and track test sequences contained in the payload (i.e., not SYNC bytes) of the MPEG data stream. The user can define the payload of each TS packet to exclude a number of header bytes, as set by PRBS_HEADER_SIZE.

A PRBS test pattern must be encoded, modulated, and injected into the channel to be monitored. The device supports a PRBS $2^{23} - 1$ bits long described by the following polynomial:

$$G(x) = x^{23} + x^{18} + 1$$

To enable PRBS testing, the Reed-Solomon error type register, RSERT, must be appropriately programmed. After the device has synchronized to the incoming PRBS test pattern, as indicated by PRBS_SYNC, errors will be reported in the RSERC register.

Measurements can be performed at the output of the Viterbi or Reed-Solomon decoder. To record errors at the output of the Viterbi decoder, the Reed-Solomon decoder and interleaver must be bypassed by setting RS_BP and DI_BP in the "System Configuration" section of the register map. To record errors at the output of the Reed-Solomon block, the RS_BP bit must be cleared.

6.5.5. Frame Synchronizer

The output of the Viterbi decoder is aligned into bytes by detecting sync patterns within the data stream. In DVB-S systems, the sync byte, 47h, occurs during the first byte of a 204 byte RS code block. In DSS systems, a sync byte, 1Dh, is appended to the beginning of each RS encoded 146-byte block, resulting in 147-byte RS code blocks. In DSS mode, sync bytes are discarded before the byte stream is output to subsequent decoding stages. When lock is achieved, the frame synchronization lock bit, FSL, is asserted. If lock is not achieved, the frame synchronizer fail bit, FSF, is asserted.

The frame synchronizer commences under the control of the acquisition sequencer.

Following frame synchronization lock, the device examines the byte stream for a possible 180-degree phase shift. If an inversion is detected, data are inverted prior to being output.

6.6. Automatic Gain Control

The Si2107/08/09/10 is equipped with the ability to adjust signal levels via an automatic gain control (AGC) loop. This ensures that the noise and linearity characteristics of the signal path are optimized at all times. The AGC loop automatically adjusts the gain in the analog signal chain and 2 points in the digital signal chain.

6.6.1. Analog AGC

System gain is distributed into four independent stages as shown in Figure 16. The gain range of all stages combined is over 80 dB. When the AGC search completes, the AGCL bit is asserted. If an error is encountered during the AGC search, the AGCF bit is also set. The AGC search commences under the control of the acquisition sequencer.

The AGC loop works to automatically adjust the gain of each stage to minimize the error between a measured signal power and a desired output level. Signal power is measured at the output of the ADC using an internal rms power calculator. The result is stored in a 7-bit saturating register, AGCPWR. The desired output level is stored in the AGC threshold register, AGCTH. Signal power measurements occur at a frequency dictated by the AGC measurement window size, AGCW. This frequency can be described using the following equation, where f_s equals the ADC sampling rate, ADCSR.

$$\text{AGC measurement frequency} = \frac{f_s}{\text{AGCW}} \text{ Hz}$$

When gain adjustments are made, the device allows up to 100 μ s for the gain changes to settle before beginning the next measurement.

To facilitate a rapid initial acquisition, Si2107/08/09/10 includes an acquisition mode wherein the measurement window size is reduced by a factor of 64 when compared to the normal tracking mode.

During the AGC search, the device is in acquisition mode, and the gain is adjusted until the measured signal power crosses the desired threshold or a limit is reached. If the signal power crosses the threshold before reaching a limit, the search completes, and the AGCL bit is asserted. If a gain limit is reached, the device asserts both the AGCL bit and the AGCF bit.

In the normal tracking mode, the device continuously measures the input signal power according to the AGC measurement window size. If the absolute value of the difference between the AGCTH and AGCPWR exceeds the value of the AGC tracking threshold, AGCTR, the AGC loop adjusts gain settings until the AGCPWR level matches AGCTH.

The AGC gain offset register, AGCO, provides the ability to apply a static gain offset to the input channel. Silicon Laboratories will provide the recommended values for this register. It is possible to read out the instantaneous settings of each of the four VGAs from the AGC<n>, <n = 1..4>, registers. These values may be used to estimate the input power to the device as described in AN298.

6.6.2. Digital AGC

Downstream of the analog VGAs, after A/D conversion of the signal, there are two points at which the digital gain can be programmed. Digital AGC1 is used to change signal power after removal of adjacent channels

by the (digital) anti-aliasing filter.

By default, DAGC1 is enabled and periodically adjusts the gain of the I & Q data streams based on a comparison of the measured complex RMS level and a target value. The target value can be selected with the DAGC1T register. Two levels are provided to allow operation with additional headroom for signal peaks during signal acquisition. The gain function of DAGC1 can be disabled using DAGC1_EN; then, no gain is applied to I & Q data streams. The signal measurement and gain adjustment normally operate continuously, allowing the gain to track the input level. The measurement window can be adjusted by register DAGC1W. The automatic updating of the gain can be frozen by register bit DAGC1HOLD. This holds the gain to the last setting. The value of the gain can be read from the DAGC1 register. It is possible to override the internal AGC algorithm and provide host-based control of AGC1 by appropriately programming register bit DAGC1HOST.

Digital AGC2 (DAGC2) is intended to optimally scale the soft decision outputs of the demodulator prior to Viterbi decoding. This allows it to compensate for signal level variations after matched filtering and equalization. Normally, operation is continuous, but tracking can be disabled using register bit DAGC2_TDIS. This holds the gain to the last setting.

During AGC operation, the average power of the signal is compared to a threshold set by register DAGC2T. The signal power is measured over a finite window specified by DAGC2W. The gain applied to the signal to make the input match the programmed threshold can be read from register DAGC2GA.

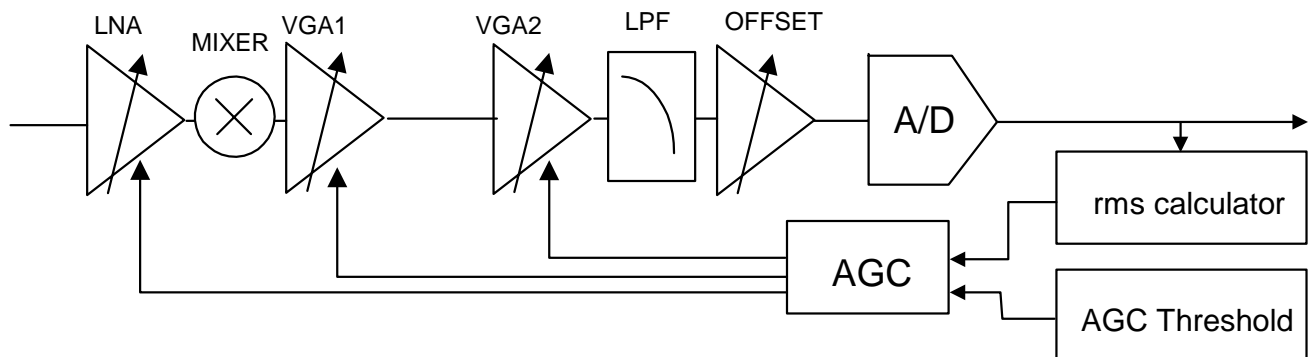


Figure 16. Analog AGC Control Loop

6.7. LNB Signaling Controller

All device versions provide LNB signaling capability. The device supports several LNB signaling methods including dc voltage selection, continuous tone, tone burst, DiSEqC 1.x- and DiSEqC 2.x-compliant messaging. A description of each method follows.

6.7.1. DC Voltage Selection

A constant dc voltage of 18 or 13 V is typically used to switch the LNB between horizontal and vertical polarity or clockwise and counterclockwise polarization. The LNBV bit is used to select the desired voltage.

When an external LNB supply regulator is used, the DCS pin is driven high or low depending on the selection of high or low voltage.

6.7.2. Tone Generation

Tone-related information is communicated to external devices via the TGEN pin. The tone format select bit, TFS, specifies whether the output of TGEN is an internally-generated tone or a tone envelope. The frequency of the internal tone generator is governed by the following equation:

$$f_{\text{tone}} = \frac{100}{[32 \times (\text{TFQ}[7:0] + 1)]} \text{ MHz}$$

Frequencies between 20 and 24 kHz are supported. The default value of TFQ results in a nominal tone frequency of 22 kHz. When tone envelope output is selected, a high signal on TGEN corresponds to "tone on" while a low signal corresponds to "tone off." When operating in the "Manual LNB messaging mode", the TT bit directly controls the output of the tone or tone envelope.

6.7.2.1. Continuous Tone

A continuous tone is typically used to select between the high and low band of an incoming satellite signal. The LNBCT bit can be set to one to generate a continuous tone.

6.7.2.2. Tone Burst

The tone burst signaling method can be used to facilitate the control of a simple two-way switch. Two types of tone burst are available, as shown in Figure 17. An unmodulated tone burst persists for 12.5 ms. A modulated tone burst lasts for the same duration but consists of a sequence of nine 0.5 ms pulses and 1 ms gaps. Tone burst selection is controlled via the LNBB bit. The tone burst command can optionally be disabled to support systems that do not use tone burst signaling by setting the burst disable bit, BRST_DS, to one. This disables the tone/burst generation as part of the DiSEqC signaling sequence when the device uses

"Automatic LNB messaging mode" as described below.

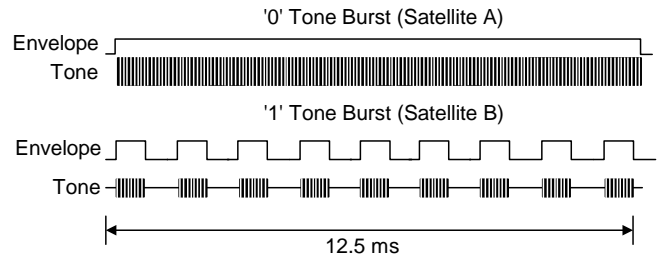


Figure 17. Tone Burst Modulation

6.7.3. DiSEqC™

The DiSEqC signaling method extends the functionality of the legacy 22 kHz tone by superimposing a command protocol and adding an optional return channel. A DiSEqC command normally consists of a framing byte, an address byte, a command byte, and, optionally, one or more data bytes. This format is illustrated in Figure 18.



Figure 18. DiSEqC Message Format

The length of a message is specified by MSGL. When the message length is set to one byte, the message is modulated using tone burst modulation. When the message length is set to two or more bytes, the message is modulated using DiSEqC-compliant modulation, and the odd parity bit is automatically added. The DiSEqC modulation scheme is illustrated in Figure 19.

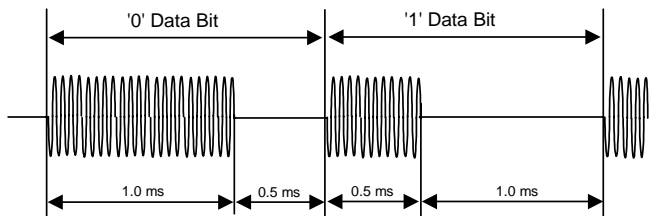


Figure 19. DiSEqC Compliant Modulation

6.7.3.1. DiSEqC 1.x One-Way Communication

Messages are programmed directly into the device using a message FIFO that consists of six byte wide registers, FIFO1–6. The messages must be written in a first-in-first-out manner such that the first byte of a message is stored in FIFO1; the second byte is stored in FIFO2, and so on. If messages are longer than six bytes, the device asserts the FIFO empty indicator, FE, as soon as the sixth byte has been read. The LNB control module then takes its next byte from FIFO1 and

continues the process. The message length must also be reprogrammed to indicate how many more bytes remain to be sent. The interval between FIFO reads is typically 13.5 ms.

To support cascaded DiSEqC devices, it may be necessary to repeat commands. Repeated commands should be separated by at least 100 ms to ensure that the far-end device is connected to the signaling path. To facilitate the required 100 ms delay, a four byte command can be inserted between repeated commands.

6.7.3.2. DiSEqC 2.x Two-Way Communication

Two-way communication is supported via DiSEqC 2.x-compliant messages. When the seventh bit in the framing byte of an outgoing message is set to 1, the device anticipates a response and monitors the line for up to 150 ms for an incoming message. If no message is detected during the 150 ms monitoring period, the MSGTO bit is asserted to indicate the time-out condition. A DiSEqC reply message typically consists of a single framing byte and optionally one or more data bytes as shown in Figure 20.



Figure 20. DiSEqC Reply Format

When a complete message has been received (one or more bytes followed by 4 ms of silence), the MSGR bit is asserted. Should parity errors exist in the received message, the MSGPE flag is also asserted. If the received message is longer than 6 bytes, the FIFO full bit, FF, is asserted to indicate that a byte has been written to FIFO6. The LNB control module writes the next byte to FIFO1. The length of the received message is recorded in the MSGRL register.

6.7.4. LNB Signaling Modes

The LNB signaling modes are described in the following sections.

6.7.4.1. Automatic LNB Messaging Mode

The Si2107/08/09/10 LNB Signaling Controller can fully manage the generation and sequencing of all LNB commands. The device is configured in this mode by appropriately programming the LNB Messaging mode register, LNBM. To initiate a message sequence, the user should first program LNB voltage selection (LNBV), continuous tone enable (LNBCT), tone burst type (LNBB), and DiSEqC message parameters (MMSG, MSGL, and FIFO1.6). Subsequently, the LNB sequence start bit, LNBS, must be set to start the automated transmission sequence. The device automatically allocates the required delays between

each signaling method. Prior dc voltage levels and continuous tones, if present, persist until the sequence is initiated. A typical sequence is shown in Figure 21.

Multiple messages can be sent in a sequential manner by setting the MMSG bit. When this bit is set, the LNB control module delays continuous tone and tone burst commands until all messages in the sequence have been sent. After the current message is transmitted, the MMSG bit is automatically cleared. The tone burst can be disabled as part of this sequence depending on the setting of BRST_DS.

When the sequence has completed, the device clears the LNB sequence start bit, LNBS, automatically. Note that, when operating in this mode, the DRC pin is high while transmitting and low while receiving.

6.7.4.2. Step-by-Step LNB Messaging Mode

By appropriately programming the LNB Messaging Mode register, LNBM, the device allows for individual control of each signaling method by the host. In this mode, the LNB voltage, LNBV, and LNB continuous tone enable, LNBCT, take effect once they are set without waiting for the user to set the LNB sequence start bit, LNBS.

The DiSEqC message uses the LNBS bit to start transmission and behaves the same as in Automatic LNB Messaging Mode. However, the guard intervals between each signaling method (LNB voltage change, DiSEqC message, tone burst, and continuous tone resumption) are controlled by the host.

In this mode, the tone burst should be implemented by using a 1-byte DiSEqC message of all 0s or all 1s programmed into FIFO1. The device uses appropriate modulation for the tone burst; i.e., when FIFO1 is programmed to 00h (rather than a DiSEqC-compliant modulation for a '00h' byte), no tone is generated. Also, the device does not expect a reply if FIFO1 is programmed to FFh; i.e., the assertion of bit7 is not considered a request for the peripheral to reply in step-by-step LNB messaging mode.

6.7.4.3. Manual LNB Messaging Mode

The manual LNB messaging mode provides the maximum level of signaling flexibility but at the expense of increased software interaction. The device is configured in this mode by appropriately programming the LNBM register. The continuous tone, tone burst, and messaging controls are not functional in this mode. When the tone format bit, TFS, is programmed for use of the internal oscillator, assertion of the TT bit modulates the output of the internal tone generator on the TGEN pin, and the TR bit records the envelope of a tone presented to the TDET pin.

When the tone format select bit, TFS, is programmed to use an external oscillator, the TT bit directly controls the output of the TGEN pin, and the TR bit directly reflects the input of the TDET pin. In this mode, the tone direction control bit, TDIR, directly controls the output of the DRC pin.

6.8. On-Chip LNB DC-DC Step-Up Controller (Si2108/10 Only)

In addition to the LNB signaling controller present on all device versions, Si2108 and Si2110 devices contain an internal supply controller circuit. This internal dc-dc controller can be enabled via register bit LNB_EN. The internal circuit requires the connection of an external circuit with a specified bill-of-materials, and this combination generates the selected LNB voltage with superimposed one-way or two-way LNB signaling communications. Si2108/10 devices include short-circuit protection, overcurrent protection, and a step-up dc-dc controller to implement a low-cost LNB power supply using minimal external components. The

required circuit for DiSEqC1.x operation is illustrated in Figure 9 on page 14. A circuit for DiSEqC2.x operation is shown in Figure 6 on page 12.

When the LNB supply circuit is populated, the Si2108/10 detects a connection to ground on the ISEN pin via R10 during reset and configures the LNB pins for dc-dc converter control instead of providing the interfaces to an external LNB supply regulator discussed in the previous section. See Table 17.

Table 17. LNB Pin Configuration

Pin	LNB Supply Circuit	
	Connected	Unconnected
7	VSEN	TDET
10	LNB2	DRC
9	ISEN	NC
8	LNB1	TGEN
12	PWM	DCS

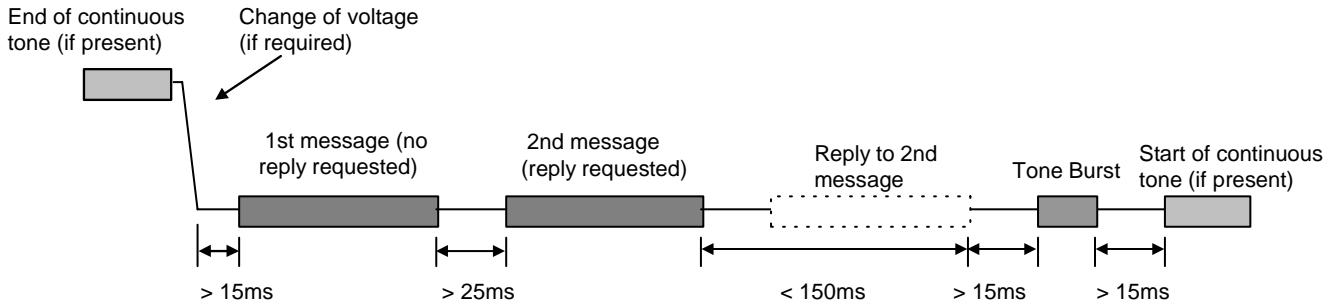


Figure 21. LNB Signaling Sequence

The LNB supply controller is disabled by default. To use the supply, it must be enabled by setting the LNB enable bit, LNB_EN. If the LNB supply circuit is connected, the TFS bit is ignored; the internal LNB supply controller uses its internal oscillator to generate the 22 kHz tone. The TFQ setting can still be used to modify the nominal frequency as explained earlier.

Selection of high or low voltage outputs the corresponding PWM control signal for the boost converter. To compensate for long cable lengths, a 1 V boost can be applied to both levels by setting the COMP bit.

The nominal level of both the low- and high-output voltages can be further fine-tuned using the VLOW and VHIGH registers. Register bit LNBV selects whether to output high or low dc voltage to the LNB. During operation, the voltage level of the line can be monitored via the VMON register.

The maximum current draw of the LNB supply can be set using the IMAX register. The overcurrent threshold of the LNB supply may be set via the ILIM register. If the output current exceeds this value, the external LNB power supply is automatically disabled, and the overcurrent detect bit, OCD, is asserted. The device attempts to restore normal operation after 1 s by supplying power to the line. During the recovery period, overcurrent detection is disabled for the time specified by the OLOT register.

Short circuit protection circuitry operates in conjunction with overcurrent detection to rapidly identify short-circuit conditions. If the output is shorted to ground, the external LNB power supply is automatically disabled, and the short-circuit detect bit, SCD, is asserted. The device attempts to restore normal operation after one second by supplying power to the line. During the recovery period, short-circuit detection is disabled for the time specified by the SLOT register.

The LNB supply circuit is protected from an overvoltage condition by design. In the event that the LNB supply circuit is accidentally connected to a voltage source greater than the intended output voltage, it remains operational. The LNB supply circuit resumes normal operation when the connection to the external voltage source has been removed.

6.9. On-Chip Blindscan Controller: *QuickScan* (Si2109/10 Only)

QuickScan is comprised of a two stage process: a blindscan stage and confirmation stage. It is an automated process whereby the minimum and maximum RF frequency and symbol rate limits are entered in the following registers BS_FMIN, BS_FMAX, SRMIN, and SRMAX. After blindscan is completed, the host may further use the resulting candidate channel information (channel center frequencies and baud rates) to try to actually acquire such channels by locking the receiver to them. Further information such as C/N, BER, channel program IDs, and etc. can be obtained once the receiver locks to a candidate channel. Through this confirmation process, any falsely identified channels can be rejected.

6.9.1. Programming Sequence

If *QuickScan* is conducted whereby the symbol rate search range is above 12.5 MBaud (for example SRMIN = 2 MBaud and SRMAX = 20 MBaud) Silicon Laboratories recommends that blindscan is performed twice to ensure the most favorable estimates of channel frequencies and symbol rates.

The programming sequence is as follows:

1. Program the frequency range (BS_FMIN, BS_FMAX) and symbol rate range (SRMIN, SRMAX) values over which to perform blindscan.
 - a. Default values
 - i. SRMIN = 0 MBaud
 - ii. SRMAX = 0 MBaud
 - iii. BS_FMIN = 825 MHz
 - iv. BS_MAX = 2087 MHz

The default values for the minimum and maximum symbol rates are zero. Enter minimum and maximum symbol rates.

Recommended values are SRMIN = 1 MBaud and SRMAX = 45 MBaud for discovery of all possible DVB-S channels.

2. Program the following registers with the following parameters.
 - a. LSA Control Register 1. The length of the time averaging window is set by setting AVG_WIN. The averaging removes uncorrelated noise from the spectrum.
 - b. Tilt Correction Threshold Register. A correction can be applied to the spectrum to compensate for "tilts" in the spectrum due to frequency dependent attenuation such as poor cables for example.
 - c. Reference Noise Level Margin Threshold Register. This sets the power level threshold for the detection of channels.
 - d. 1 dB Bandwidth Threshold Register. This sets the

- tolerance level for determination of the 1 dB bandwidth for a detected channel.
- e. 2 dB Bandwidth Threshold Register. This sets the tolerance level for determination of the 2 dB bandwidth for a detected channel.
- f. 3 dB Bandwidth Threshold Register. This sets the tolerance level for determination of the 3 dB bandwidth for a detected channel.
- g. Inband Power Threshold Register. This sets the threshold for determining the drop in power in a detected channel to determine the channel bandwidth.

Important: It is highly recommended that the registers in Step 2 be programmed with default values provided by Silicon Laboratories. Refer to “AN298: Si2107/08/09/10 Application Programming Interface Example Software”, for the recommended values. The values are documented in the *QuickScan* section of the application note. Silicon Laboratories has tested *QuickScan* under real world conditions in a number of countries and the recommended values provide the best performance.

3. Clear the following Host Control Register bits.

- a. SR_CTRL_HOST
- b. ADCSR_CTRL_HOST
- c. CTF_CTRL_HOST
- d. FTF_CTRL_HOST

Important: These bits should be returned to their default settings (allowing host control) if the user wants to tune to individual channels following blindscan for single channel acquisition.

- 4. Set BS_START in the Blind Scan Control Register. This initiates the blindscan process.
- 5. Wait for either BSDA (or interrupt BSDA_I) or BSDO (or interrupt BSDO_I) to be set.
- 6. Take the following actions depending on which condition is present:
 - a. When BSDA (or BSDA_I) is set: the device has found a potential DVB-S or DSS (depending on the part's operating mode) channel. The host can read out:
 - i. BS_CTF, BS_FTF, CFER, and BS_ADCSR to determine the channel's RF frequency from the following formula:

$$RF(\text{MHz}) = BS_CTF \times 10 + \{BS_FTF(\text{decimal}) + CFER(\text{decimal})\} \times BS_ADCSR$$

Note: The registers BS_FTF with a fixed format of <15,14> and CFER with a fixed format of <16,15> are 2's complement numbers which need to be converted into decimal numbers first.

- ii. SREST to determine the channel's symbol rate estimate from the following formula:

$$\text{Symbol Rate (MBaud)} = SREST \times BS_FS / 2^{23}$$

$$\text{Where } BS_FS = BS_ADCSR \times 1 \text{ MHz}$$

- iii. Upon reading these registers, the host should clear the BSDA & BSDA_I bits. Go back to Step 6.
 - b. When BSDO (or BSDO_I) is set: the blindscan operation is complete within the RF and symbol rate search ranges. The device automatically clears BS_START.
7. Repeat Steps 1 through 6 with the change in values for the following parameters if the Symbol Rate search range is below 12.5 MBaud.
- a. Set SRMIN to 12.5 MBaud.
 - b. Keep SRMAX the same value from the first pass.
 - c. Set Inband Power Threshold Register to the second recommended default value.
 - d. Set 2 dB Bandwidth Threshold Register to the second recommended default value.
8. End of blindscan operation. The final set of estimates for RF center frequencies and associated symbol rates can be used by the host to lock to the detected channels to obtain channel information such as Channel ID for example. Also at this point channels falsely identified during blindscan can be rejected upon failure to lock.

6.10. Sleep Mode Operation

A low power mode can be enabled by setting the PDE bit to 1. In Sleep mode, the System Mode register can be read and written to, but all other registers can be read only. The Sleep mode is exited by setting the PDE bit to 0.

7. I²C Control Interface

The I²C bus interface is provided for configuration and monitoring of all internal registers. The Si2107/08/09/10 supports the 7-bit addressing procedure and is capable of operating at rates up to 400 kbps. Individual data transfers to and from the device are 8-bits. The I²C bus consists of two wires: a serial clock line (SCL) and a serial data line (SDA). The device always operates as a bus slave. Read and write operations are performed in accordance with the I²C-bus specification and the following sequences.

The first byte after the START condition consists of the slave address (SLAVE ADR, 7-bits) of the target device. The slave address is configured during a hard reset by setting the voltage on the ADDR pin. Possible slave addresses and their corresponding ADDR voltages are listed in Table 18.

Table 18. I²C Slave Address Selection

Fixed Address	LSBs	ADDR Voltage (V)
11010	00	0 (pulldown)
11010	01	$1/3 \times V_{3.3} \pm 10\%$
11010	10	$2/3 \times V_{3.3} \pm 10\%$
11010	11	$V_{3.3}$ (pullup)

Four addresses are available, allowing up to four devices to share the same I²C bus. The R/W bit determines the direction of data transfer. During a read operation, data is sent from the device to the bus master. During a write, data is sent from the bus master to the device. The field labeled “DATA (ADR)” must contain the 8-bit address of the target register. The data to be transferred to or from the target register must be placed in the following 8-bit “DATA” field. When the auto-increment feature is enabled, INC_DS, the target register address, is automatically incremented for subsequent data transfers until a STOP condition ends the operation.

Some registers in the device are larger than the 8-bit DATA field permitted by I²C. These registers are split into 8-bit addressable chunks that are uniquely identified by a positional suffix. The suffix L indicates the low-byte; the suffix M indicates the middle-byte (for 24-bit registers only), and the suffix H indicates the high-byte.

To read a multibyte register as a single unit, the low byte must be read first. This forces the device to sample and hold the contents of the remaining bytes until the multibyte read is complete. If a STOP condition occurs before the operation is complete, the buffered data is discarded.

To write a multibyte register as a single unit, the low byte must be written first. All bytes must be transferred to the device before the multibyte value is recorded. If a STOP condition occurs before the operation is complete, the buffered data is discarded.

The slave address consists of a fixed part and a programmable part. The voltage of the ADDR pin is used to set the two least significant bits of the address during device power-up according to Table 18. This enables up to four devices to share the same I²C bus.

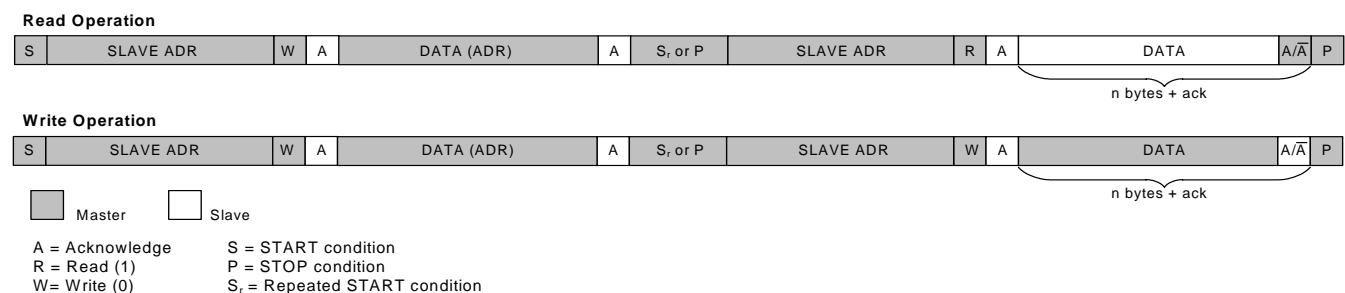


Figure 22. I²C Interface Protocol

8. Control Registers

The control registers can be divided into three main classes: Initialization, Run-time, and Status. Initialization registers (“I”) need only be programmed once following device power-up. Run-time registers (“RT”) are the primary registers for device control. Status registers (“S”) provide device state information. The corresponding category of each register is indicated in the rightmost column of Table 19.

Unused register bits of a register byte are reserved, Their bit values should not be changed from the default values, as identified below under the description of each individual register byte.

Table 18 lists all registers available in Si2110; some registers may not be available in other part versions, as identified below under the description of each individual register byte.

Table 19. Register Summary

Name	i ² C Addr.	D7	D6	D5	D4	D3	D2	D1	D0	
System Configuration										
Device ID	00h	DEV[3:0]				REV[3:0]				S
System Mode	01h		PDE	INC_DS	MOD[1:0]		SYSM[2:0]			I
TS Ctrl 1	02h	TSEP	TSVP	TSSP	TSSL	TSCM	TSCE	TSDF	TSM	I
TS Ctrl 2	03h			TSPCS	TSCD	TSDD	TSPG	TSSCR[1:0]		I
Pin Ctrl 1	04h	INT_EN	INTT	INTP	TSE_OE	TSV_OE	TSS_OE	TSC_OE	TSD_OE	I
Pin Ctrl 2	05h						GPO	PSEL[1:0]		I
Bypass	06h			DS_BP	RS_BP	DI_BP				I
Interrupts										
Int En 1	07h	RCVL_E	AGCL_E	CEL_E		STL_E	CRL_E	VTL_E	FSL_E	I
Int En 2	08h	RCVU_E	AGCTS_E	STU_E	CRU_E	VTU_E	FSU_E		AQF_E	I
Int En 3	09h	CN_E	VTER_E	RSER_E	MSGPE_E	FE_E	FF_E	MSGR_E	MSGTO_E	I
Int En 4	0Ah		BSDO_E	BSDA_E				SCD_E	OCD_E	I
Int Stat 1	0Bh	RCVL_I	AGCL_I	CEL_I		STL_I	CRL_I	VTL_I	FSL_I	S
Int Stat 2	0Ch	RCVU_I	AGCTS_I	STU_I	CRU_I	VTU_I	FSU_I		AQF_I	S
Int Stat 3	0Dh	CN_I	VTER_I	RSER_I	MSGPE_I	FE_I	FF_I	MSGR_I	MSGTO_I	S
Int Stat 4	0Eh		BSDO_I	BSDA_I				SCD_I	OCD_I	S
Receiver Status										
Lock Stat 1	0Fh		AGCL	CEL	SRL	STL	CRL	VTL	FSL	S
Lock Stat 2	10h	RCVL						BSDA	BSDO	S
Acq Stat	11h	AQF	AGCF	CEF	SRF	STF	CRF	VTF	FSF	S

Table 19. Register Summary (Continued)

Name	I ² C Addr.	D7	D6	D5	D4	D3	D2	D1	D0	
Tuning Control										
Acq Ctrl 1	14h	AQS								RT
ADC SR	15h					ADCSR[7:0]				RT
Coarse Tune	16h					CTF[7:0]				RT
Fine Tune L	17h					FTF[7:0]				RT
Fine Tune H	18h					FTF[14:8]				RT
CE Ctrl	29h							CESR[2:0]		I
CE Offset L	36h					CFO[7:0]				RT
CE Offset H	37h					CFO[15:8]				RT
CE Err L	38h					CFER[7:0]				RT
CE Err H	39h					CFER[15:8]				RT
Sym Rate L	3Fh					SR[7:0]				RT
Sym Rate M	40h					SR[15:8]				RT
Sym Rate H	41h					SR[23:16]				RT
CN Ctrl	7Ch	CNS					CNM	CNW[1:0]		I
CN TH	7Dh					CNET[7:0]				I
CN L	7Eh					CNL[7:0]				RT
CN H	7Fh					CNL[15:8]				RT
Channel Decoder										
VT Ctrl 1	A0h							VTCS[5:0]		I
VT Ctrl 2	A2h					VTERS	VTERM	VTERW[1:0]		RT
VT Stat	A3h		VTRS[2:0]					VTPS	VTIQS	S
VT BER Cnt L	ABh							VTERC[7:0]		RT
VT BER Cnt H	ACH							VTERC[15:8]		RT
RS Err Ctrl	B0h				RSERS	RSERM	RSERW	RSERT[1:0]		RT
RS Err Cnt L	B1h							RSERC[7:0]		RT
RS Err Cnt H	B2h							RSERC[15:8]		RT
DS Ctrl	B3h							DST_DS	DSO_DS	I
PRBS Ctl	B5h	PRBS_START	PRBS_INVERT	PRBS_SYNC				PRBS_HEADER_SIZE		RT

Table 19. Register Summary (Continued)

Name	I ² C Addr.	D7	D6	D5	D4	D3	D2	D1	D0	
Automatic Gain Control										
AGC Ctrl 1	23h			AGCW[1:0]						I
AGC Ctrl 2	24h	AGCTR[3:0]				AGCO[3:0]				I
AGC 1–2 Gain	25h	AGC2[3:0]				AGC1[3:0]				I
AGC 3–4 Gain	26h	AGC4[3:0]				AGC3[3:0]				I
AGC TH	27h	AGCTH[6:0]								I
AGC PL	28h	AGCPWR[6:0]								S
DAGC 1 Ctrl	75h		DAGC1_EN	DAGC1W[1:0]		DAGC1T	DAGC1HOLD	DAGC1HOST		I
DAGC1 L	76h	DAGC1[7:0]								I
DAGC1 H	77h	DAGC1[15:8]								I
DAGC2 Ctrl	78h		DAGC2[3:0]			DAGC2W[1:0]		DAGC2DIS		I
DAGC2 TH	79h	DAGC2T[7:0]								I
DAGC2Lvl L	7Ah	DAGC2GA[7:0]								I
DAGC2Lvl H	7Bh	DAGC2GA[15:8]								I
LNB Supply Controller										
LNB Ctrl 1	C0h	LNBS	LNBV	LNBSCT	LNBB	MMSG	MSGL[2:0]			RT
LNB Ctrl 2	C1h	LNBM[1:0]					BRST_DS	TFS		RT
LNB Ctrl 3	C2h	TDIR	TT	TR					RT	
LNB Ctrl 4	C3h	TFQ[7:0]								RT
LNB Stat	C4h	FE	FF	MSGPE	MSGR	MSGTO	MSGRL[2:0]			S
Msg FIFO 1	C5h	FIFO1[7:0]								RT
Msg FIFO 2	C6h	FIFO2[7:0]								RT
Msg FIFO 3	C7h	FIFO3[7:0]								RT
Msg FIFO 4	C8h	FIFO4[7:0]								RT
Msg FIFO 5	C9h	FIFO5[7:0]								RT
Msg FIFO 6	CAh	FIFO6[7:0]								RT
LNB S Ctrl1	CBh	VLOW[3:0]				VHIGH[3:0]				I
LNB S Ctrl2	CCh	ILIM[1:0]		IMAX[1:0]		SLOT[1:0]		OLOT[1:0]		I
LNB S Ctrl3	CDh	VMON[7:0]								S
LNB S Ctrl4	CEh	LNBL				LNB_EN	COMP		LNBM	I
LNB S Stat	CFh							SCD	OCD	S

Table 19. Register Summary (Continued)

Name	I ² C Addr.	D7	D6	D5	D4	D3	D2	D1	D0	
QuickScan										
Host Ctrl	1Ch			SR_CTRL_HOST			ADCSR_CTRL_HOST	CTF_CTRL_HOST	FTF_CTRL_HOST	I
SR Est L	31h						SREST[7:0]			RT
SR Est M	32h						SREST[15:8]			RT
SR Est H	33h						SREST[23:16]			RT
SR Est Ctrl 2	3Ah								FALSE_ALARM_PROC_EN	I
SR Max	42h						SRMAX[7:0]			I
SR Min	43h						SRMIN[7:0]			I
BS Ctrl	80h	BS_START		BSDA					COESM	RT
BS MinFreq L	81h						BS_FMIN[7:0]			I
BS MinFreq M	82h						BS_FMIN[15:8]			I
BS MinFreq H	83h							BS_FMIN[17:16]		I
BS MaxFreq L	84h						BS_FMAX[7:0]			I
BS MaxFreq M	85h						BS_FMAX[15:8]			I
BS MaxFreq H	86h							BS_FMAX[17:16]		I
BS CoarseFreq	89h						BS_CTF[7:0]			RT
BS FineFreq L	8Ah						BS_FTF[7:0]			RT
BS FineFreq H	8Bh						BS_FTF[14:8]			RT
BS PLL Div	8Ch						BS_ADCSR[7:0]			RT
LSA Ctrl 1	8Dh		AVG WIN[6:5]							I
Spectrum Tilt Correction Threshold	8Fh						SPEC_TILT_CORREC[7:0]			I
1dB BW Threshold	90h						BW_1dB[7:0]			I
2dB BW Threshold	91h						BW_2dB[7:0]			I
3dB BW Threshold	92h						BW_3dB[7:0]			I
Inband Power Threshold	93h						INBAND_THRESHOLD[7:0]			I
Noise Level Margin Threshold	94h						REF_NOISE_MARGIN[7:0]			I

Si2107/08/09/10

Register 00h. Device ID Register

Bit	D7	D6	D5	D4	D3	D2	D1	D0
Name	DEV[3:0]				REV[3:0]			

Bit	Name	Function
7:4	DEV[3:0]	Device ID. 0h = Si2110 1h = Si2109 2h = Si2108 3h = Si2107
3:0	REV[3:0]	Revision. Current revision = 4h

Register 01h. System Mode

Bit	D7	D6	D5	D4	D3	D2	D1	D0
Name	0	PDE	INC_DS	MOD[1:0]		SYSM[2:0]		

Bit	Name	Function
7	Reserved	Program as shown above.
6	PDE	Sleep Mode. 0 = Disabled (default): normal operation 1 = Enabled
5	INC_DS	I²C Automatic Address Increment Disable. 0 = Enabled (default) 1 = Disabled
4:3	MOD[1:0]	Modulation Selection. 00 = BPSK demodulation 01 = QPSK demodulation (default) 10 = Reserved 11 = Reserved
2:0	SYSM[2:0]	System Mode. 000 = DVB-S (default) 001 = DSS 010–111 = Reserved

Register 02h. Transport Stream Control 1

Bit	D7	D6	D5	D4	D3	D2	D1	D0
Name	TSEP	TSVP	TSSP	TSSL	TSCM	TSCE	TSDF	TSM

Bit	Name	Function
7	TSEP	Transport Stream Error Polarity. 0 = Active high (default) 1 = Active low
6	TSVP	Transport Stream Valid Polarity. 0 = Active high (default) 1 = Active low
5	TSSP	Transport Stream Sync Polarity. 0 = Active high (default) 1 = Active low
4	TSSL	Transport Stream Start Length. 0 = Byte wide (default) 1 = Bit wide Note: This bit is ignored in parallel mode.
3	TSCM	Transport Stream Clock Mode. 0 = Gapped mode (default) 1 = Continuous mode
2	TSCE	Transport Stream Clock Edge. 0 = Data transitions on rising edge (default) 1 = Data transitions on falling edge
1	TSDF	Transport Stream Serial Data Format. 0 = MSB first (default) 1 = LSB first Note: This bit is ignored in parallel mode
0	TSM	Transport Stream Mode. 0 = Serial (default) 1 = Parallel

Register 03h. Transport Stream Control 2

Bit	D7	D6	D5	D4	D3	D2	D1	D0
Name	0		TSPCS	TSCD	TSDD	TSPG	TSSCR[1:0]	

Bit	Name	Function
7:6	Reserved	Program as shown above.
5	TSPCS	Transport Stream Parallel Clock Smoother. Smoothens TS_CLK to ~50% duty cycle. 0 = Smoothing disabled 1 = Smoothen clock to ~50% duty cycle (default)
4	TSCD	Transport Stream Clock Delay. Adds delay to TS_CLK to adjust clock-data timing relationship. 0 = Normal operation (default) 1 = Delay clock relative to data
3	TSDD	Transport Stream Data Delay. Adds delay to TS_DATA, TS_SYNC, TS_VAL, TS_ERR output to adjust clock-data timing relationship. 0 = Normal operation (default) 1 = Delay data relative to clock
2	TSPG	Transport Stream Parity Gate. 0 = Normal operation (default) 1 = Zero data lines during parity
1:0	TSSCR[1:0]	Transport Stream Serial Clock Rate. 00 = 80–88.5 MHz (default) 01 = 76.8–82.8 MHz 10 = 54.8–59.2 MHz 11 = 34.9–37.7 MHz The user should select a setting such that the corresponding minimum clock output frequency is higher than the expected output bit rate.

Register 04h. Pin Control 1

Bit	D7	D6	D5	D4	D3	D2	D1	D0
Name	INT_EN	INTT	INTP	TSE_OE	TSV_OE	TSS_OE	TSC_OE	TSD_OE

Bit	Name	Function
7	INT_EN	Interrupt Pin Enable. 0 = Disabled (default) 1 = Enabled
6	INTT	Interrupt Pin Type. 0 = CMOS (default) 1 = Open drain/source
5	INTP	Interrupt Polarity. 0 = Active low (default) 1 = Active high
4	TSE_OE	Transport Stream Error Output Enable. 0 = Enabled 1 = Tri-state (default)
3	TSV_OE	Transport Stream Valid Output Enable. 0 = Enabled 1 = Tri-state (default)
2	TSS_OE	Transport Stream Sync Output Enable. 0 = Enabled 1 = Tri-state (default)
1	TSC_OE	Transport Stream Clock Output Enable. 0 = Enabled 1 = Tri-state (default)
0	TSD_OE	Transport Stream Data Output Enable. 0 = Enabled 1 = Tri-state (default)

Register 05h. Pin Control 2

Bit	D7	D6	D5	D4	D3	D2	D1	D0
Name	0	0	1	0	0	GPO	PSEL[1:0]	

Bit	Name	Function
7:3	Reserved	Program as shown above.
2	GPO	General Purpose Output Control. Controls output of pin 30 when PSEL = 10 0 = Output logic zero (default) 1 = Output logic 1
1:0	PSEL[1:0]	Pin Select (Pin 30). 00 = Interrupt (default) 01 = Receiver lock indicator 10 = General Purpose Output 11 = Reserved

Register 06h. Bypass

Bit	D7	D6	D5	D4	D3	D2	D1	D0
Name	0	0	DS_BP	RS_BP	DI_BP	0	0	0

Bit	Name	Function
7:6	Reserved	Program as shown above.
5	DS_BP	Descrambler Bypass. 0 = Normal operation (default) 1 = Bypass Note: This bit is ignored in DSS mode; the descrambler is automatically bypassed.
4	RS_BP	Reed-Solomon Bypass. 0 = Normal operation (default) 1 = Bypass
3	DI_BP	Deinterleaver Bypass. 0 = Normal operation (default) 1 = Bypass
2:0	Reserved	Program as shown above.

Register 07h. Interrupt Enable 1

Bit	D7	D6	D5	D4	D3	D2	D1	D0
Name	RCVL_E	AGCL_E	CEL_E	0	STL_E	CRL_E	VTL_E	FSL_E

Bit	Name	Function
7	RCVL_E	Receiver Lock Interrupt Enable. 0 = Disabled (default) 1 = Enabled
6	AGCL_E	AGC Lock Interrupt Enable. 0 = Disabled (default) 1 = Enabled
5	CEL_E	Carrier Estimator Lock Interrupt Enable. 0 = Disabled (default) 1 = Enabled
4	Reserved	Program as shown above.
3	STL_E	Symbol Timing Lock Interrupt Enable. 0 = Disabled (default) 1 = Enabled
2	CRL_E	Carrier Recovery Lock Interrupt Enable. 0 = Disabled (default) 1 = Enabled
1	VTL_E	Viterbi Search Lock Interrupt Enable. 0 = Disabled (default) 1 = Enabled
0	FSL_E	Frame Sync Lock Interrupt Enable. 0 = Disabled (default) 1 = Enabled

Register 08h. Interrupt Enable 2

Bit	D7	D6	D5	D4	D3	D2	D1	D1
Name	RCVU_E	AGCTS_E	STU_E	CRU_E	VTU_E	FSU_E	0	AQF_E

Bit	Name	Function
7	RCVU_E	Receiver Unlock Interrupt Enable. 0 = Disabled (default) 1 = Enabled
6	AGCTS_E	AGC Tracking Threshold Interrupt Enable. 0 = Disabled (default) 1 = Enabled
5	STU_E	Symbol Timing Unlock Interrupt Enable. 0 = Disabled (default) 1 = Enabled
4	CRU_E	Carrier Recovery Unlock Interrupt Enable. 0 = Disabled (default) 1 = Enabled
3	VTU_E	Viterbi Search Unlock Interrupt Enable. 0 = Disabled (default) 1 = Enabled
2	FSU_E	Frame Sync Unlock Interrupt Enable. 0 = Disabled (default) 1 = Enabled
1	Reserved	Program as shown above.
0	AQF_E	Acquisition Fail Interrupt Enable. 0 = Disabled (default) 1 = Enabled

Register 09h. Interrupt Enable 3

Bit	D7	D6	D5	D4	D3	D2	D1	D0
Name	CN_E	VTER_E	RSER_E	MSGPE_E	FE_E	FF_E	MSGR_E	MSGTO_E

Bit	Name	Function
7	CN_E	C/N Estimator Interrupt Enable. 0 = Disabled (default) 1 = Enabled
6	VTER_E	Viterbi BER Interrupt Enable. 0 = Disabled (default) 1 = Enabled
5	RSER_E	Reed-Solomon Error Measurement Interrupt Enable. 0 = Disabled (default) 1 = Enabled
4	MSGPE_E	LNB Message Parity Error Interrupt Enable. 0 = Disabled (default) 1 = Enabled
3	FE_E	LNB Transmit FIFO Empty Interrupt Enable. 0 = Disabled (default) 1 = Enabled
2	FF_E	LNB Receive FIFO Full Interrupt Enable. 0 = Disabled (default) 1 = Enabled
1	MSGR_E	LNB Receive Message Interrupt Enable. 0 = Disabled (default) 1 = Enabled
0	MSGTO_E	LNB Receive Timeout Interrupt Enable. 0 = Disabled (default) 1 = Enabled

Register 0Ah. Interrupt Enable 4

Bit	D7	D6	D5	D4	D3	D2	D1	D0
Part	Si2107/8							
Name	0	0	0	0	0	0	SCD_E	OCD_E
Part	Si2109/10							
Name	0	BSDO_E	BSDA_E0	0	0	0	SCD_E	OCD_E

Bit	Name	Function
7	Reserved	Program as shown above.
6	BSDO_E	Blindscan Done Interrupt Enable. 0 = Disabled (default) 1 = Enabled
5	BSDA_E	Blindscan Data Ready Interrupt Enable. 0 = Disabled (default) 1 = Enabled
4:2	Reserved	Program as shown above.
1	SCD_E	Short Circuit Detect Interrupt Enable. 0 = Disabled (default) 1 = Enabled
0	OCD_E	Over Current Detect Interrupt Enable. 0 = Disabled (default) 1 = Enabled

Register 0Bh. Interrupt Status 1

Bit	D7	D6	D5	D4	D3	D2	D1	D0
Name	RCVL_I	AGCL_I	CEL_I	0	STL_I	CRL_I	VTL_I	FSL_I

Bit	Name	Function
7	RCVL_I	Receiver Lock Interrupt. 0 = Disabled (default) 1 = Enabled
6	AGCL_I	AGC Lock Interrupt. 0 = Disabled (default) 1 = Enabled
5	CEL_I	Carrier Estimator Lock Interrupt. 0 = Disabled (default) 1 = Enabled
4	Reserved	Program as shown above.
3	STL_I	Symbol Timing Lock Interrupt. 0 = Disabled (default) 1 = Enabled
2	CRL_I	Carrier Recovery Lock Interrupt. 0 = Disabled (default) 1 = Enabled
1	VTL_I	Viterbi Search Lock Interrupt. 0 = Disabled (default) 1 = Enabled
0	FSL_I	Frame Sync Lock Interrupt. 0 = Disabled (default) 1 = Enabled

Register 0Ch. Interrupt Status 2

Bit	D7	D6	D5	D4	D3	D2	D1	D0
Name	RCVU_I	AGCTS_I	STU_I	CRU_I	VTU_I	FSU_I	0	AQF_I

Bit	Name	Function
7	RCVU_I	Receiver Unlock Interrupt.
6	AGCTS_I	AGC Tracking Threshold Interrupt. 0 = Normal operation (default) 1 = Event recorded
5	STU_I	Symbol Timing Unlock Interrupt. 0 = Normal operation (default) 1 = Event recorded
4	CRU_I	Carrier Recovery Unlock Interrupt. 0 = Normal operation (default) 1 = Event recorded
3	VTU_I	Viterbi Search Unlock Interrupt. 0 = Normal operation (default) 1 = Event recorded
2	FSU_I	Frame Sync Unlock Interrupt. 0 = Normal operation (default) 1 = Event recorded
1	Reserved	Program as shown above.
0	AQF_I	Acquisition Fail Interrupt. 0 = Normal operation (default) 1 = Event recorded

Register 0Dh. Interrupt Status 3

Bit	D7	D6	D5	D4	D3	D2	D1	D1
Name	CN_I	VTER_I	RSER_I	MSGPE_I	FE_I	FF_I	MSGR_I	MSGTO_I

Bit	Name	Function
7	CN_I	C/N Estimator Interrupt. 0 = Normal operation (default) 1 = Event recorded
6	VTER_I	Viterbi BER Interrupt. 0 = Normal operation (default) 1 = Event recorded
5	RSER_I	Reed-Solomon Error Measurement Complete Interrupt. 0 = Normal operation (default) 1 = Event recorded
4	MSGPE_I	LNB Message Parity Error Interrupt. 0 = Normal operation (default) 1 = Event recorded
3	FE_I	LNB Transmit FIFO Empty Interrupt. 0 = Normal operation (default) 1 = Event recorded
2	FF_I	LNB Receive FIFO Full Interrupt. 0 = Normal operation (default) 1 = Event recorded
1	MSGR_I	LNB Receive Message Interrupt. 0 = Normal operation (default) 1 = Event recorded
0	MSGTO_I	LNB Receive Timeout Interrupt. 0 = Normal operation (default) 1 = Event recorded

Register 0Eh. Interrupt Status 4

Bit	D7	D6	D5	D4	D3	D2	D1	D0
Part	Si2107/8							
Name	0	0	0	0	0	0	SCD_I	OCD_I
Part	Si2109/10							
Name	0	BSDO_I	BSDA_I	0	0	0	SCD_I	OCD_I

Bit	Name	Function
7	Reserved	Program to zero.
6	BSDO_I	Blindscan Done Interrupt. 0 = Normal operation (default) 1 = Blindscan done over the specified frequency range
5	BSDA_I	Blindscan Data Ready Interrupt. 0 = Normal operation (default) 1 = Blindscan data can be read from registers: BS_CTF, BS_FTF, CFER, SREST, BS_ADCSR.
4:2	Reserved	Program as shown above.
1	SCD_I	Short Circuit Detect Interrupt. 0 = Normal operation (default) 1 = Event recorded
0	OCD_I	Over Current Detect Interrupt. 0 = Normal operation (default) 1 = Event recorded

Register 0Fh. Lock Status 1

Bit	D7	D6	D5	D4	D3	D2	D1	D0
Name	0	AGCL	CEL	SRL	STL	CRL	VTL	FSL

Bit	Name	Function
7	Reserved	Program as shown above.
6	AGCL	AGC Lock Status. 0 = Pending (default) 1 = Complete
5	CEL	Carrier Estimation Status. 0 = Pending (default) 1 = Complete
4	SRL	Symbol Rate Estimation Status. 0 = Pending (default) 1 = Complete Note: Available on Si2109/10 only.
3	STL	Symbol Timing Lock Status. 0 = Unlocked (default) 1 = Locked
2	CRL	Carrier Lock Status. 0 = Unlocked (default) 1 = Locked
1	VTL	Viterbi Lock Status. 0 = Unlocked (default) 1 = Locked
0	FSL	Frame Sync Lock Status. 0 = Unlocked (default) 1 = Locked

Register 10h. Lock Status 2

Bit	D7	D6	D5	D4	D3	D2	D1	D0
Part	Si2107/8							
Name	RCVL	0	0	0	0	0	0	0
Part	Si2109/10							
Name	RCVL	0	0	0	0	0	BSDA	BSDO

Bit	Name	Function
7	RCVL	Receiver Lock Status. 0 = Unlocked (default) 1 = Locked
6:2	Reserved	Program as shown above.
1	BSDA	Blindscan Data Ready (LSA stage) 0 = Normal operation (default) 1 = Raw carrier and symbol rate ready for readout by host.
0	BSDO	Blindscan Done. 0 = Normal operation (default) 1 = Blindscan sequence complete over the specified frequency range.

Register 11h. Acquisition Status

Bit	D7	D6	D5	D4	D3	D2	D1	D1
Name	AQF	AGCF	CEF	SRF	STF	CRF	VTF	FSF

Bit	Name	Function
7	AQF	Receiver Acquisition Status. 0 = Normal operation (default) 1 = Acquisition failed
6	AGCF	AGC Search Status. 0 = Normal operation (default) 1 = Gain control limit reached
5	CEF	Carrier Estimation Search Status. 0 = Normal operation (default) 1 = Carrier offset not found
4	SRF	Symbol Rate Search Status. 0 = Normal operation (default) 1 = Search failed Note: Available on Si2109/10 only.
3	STF	Symbol Timing Search Status. 0 = Normal operation (default) 1 = Search failed
2	CRF	Carrier Search Status. 0 = Normal operation (default) 1 = Search failed
1	VTF	Viterbi Search Status. 0 = Normal operation (default) 1 = Search failed
0	FSF	Frame Sync Search Status. 0 = Normal operation (default) 1 = Search failed

Register 14h. Acquisition Control 1

Bit	D7	D6	D5	D4	D3	D2	D1	D0
Name	AQS	0	0	0	0	0	0	0

Bit	Name	Function
7	AQS	Automatic Acquisition Start. Writing a one to this bit initiates the acquisition sequence. This bit is automatically cleared when the acquisition sequence completes.
6:0	Reserved	Program as shown above.

Register 15h. ADC Sampling Rate

Bit	D7	D6	D5	D4	D3	D2	D1	D0
Name	ADCSR[7:0]							

Bit	Name	Function
7:0	ADCSR[7:0]	ADC Sampling Rate. $f_s = \text{ADCSR} \times 1 \text{ MHz}$ Default: C8h (200 MHz)

Register 16h. Coarse Tune Frequency

Bit	D7	D6	D5	D4	D3	D2	D1	D0
Name	CTF[7:0]							

Bit	Name	Function
7:0	CTF[7:0]	Coarse Tune Frequency. Calculation of the coarse tune value is determined by the reference software driver. $f_{\text{coarse}} = \text{CTF} \times 10 \text{ MHz}$ Default: 00h

Register 17h. Fine Tune Frequency L

Bit	D7	D6	D5	D4	D3	D2	D1	D0
Name	FTF[7:0]							

Bit	Name	Function
7:0	FTF[7:0]	Fine Tune Frequency (Low Byte). $f_{\text{fine}} = \text{FTF} \times \frac{f_s}{2^{14}}$ where FTF is stored as a 2s complement value. Calculation of the fine tune value is determined by the reference software driver. Default: 00h

Register 18h. Fine Tune Frequency H

Bit	D7	D6	D5	D4	D3	D2	D1	D0
Name	0	FTF[14:8]						

Bit	Name	Function
7	Reserved	Program as shown above.
6:0	FTF[14:8]	Fine Tune Frequency (High Byte). See Register 17h.

Register 1Ch. Host Control Register (Si2109 and Si2110 only)

Bit	D7	D6	D5	D4	D3	D2	D1	D0
Name	0	0	0	0	SR_CTRL_HOST	ADCSR_CTRL_HOST	CTF_CTRL_HOST	FTF_CTRL_HOST

Bit	Name	Function
7:4	Reserved	Program as shown above.
3	SR_CTRL_HOST	Symbol Rate Host Control 0 = control by chip (during BSC) 1 = control from host (during normal operation) (default)
2	ADCSR_CTRL_HOST	ADC Sampling Rate Host Control. 0 = Control by chip (during BSC) 1 = Control by host (during normal operation) (default)
1	CTF_CTRL_HOST	Coarse Tune Frequency Host Control. 0 = Control by chip (during BSC) 1 = Control by host (during normal operation) (default)
0	FTF_CTRL_HOST	Fine Tune Frequency Host Control. 0 = Control by chip (during BSC) 1 = Control by host (during normal operation) (default)

Register 23h. Analog AGC Control 1

Bit	D7	D6	D5	D4	D3	D2	D1	D0
Name	0	0	AGCW[1:0]		0	0	0	0

Bit	Name	Function										
7:6	Reserved	Program as shown above.										
5:4	AGCW[1:0]	AGC Measurement Window. <table border="0"> <tr> <td>Acquisition</td> <td>Tracking</td> </tr> <tr> <td>00 = 1024 (default)</td> <td>65536 samples (default)</td> </tr> <tr> <td>01 = 2048</td> <td>131072 samples</td> </tr> <tr> <td>10 = 4096</td> <td>262144 samples</td> </tr> <tr> <td>11 = 8192</td> <td>524288 samples</td> </tr> </table>	Acquisition	Tracking	00 = 1024 (default)	65536 samples (default)	01 = 2048	131072 samples	10 = 4096	262144 samples	11 = 8192	524288 samples
Acquisition	Tracking											
00 = 1024 (default)	65536 samples (default)											
01 = 2048	131072 samples											
10 = 4096	262144 samples											
11 = 8192	524288 samples											
3:0	Reserved	Program as shown above.										

Register 24h. AGC Control 2

Bit	D7	D6	D5	D4	D3	D2	D1	D0
Name	AGCTR[3:0]				AGCO[3:0]			
Bit	Name		Function					
7:4	AGCTR[3:0]		AGC Tracking Threshold. Specifies the maximum difference between AGCPWR (28h) and AGCTH (27h) before making a gain adjustment. Default: 1000.					
3:0	AGCO[3:0]		AGC Gain Offset. Minimum value for gain stage 4. 0000 = +0 dB (default) 0001 = +1 dB 1110 = +14 dB 1111 = +15 dB					

Register 25h. Analog AGC 1–2 Gain

Bit	D7	D6	D5	D4	D3	D2	D1	D0
Name	AGC2[3:0]				AGC1[3:0]			
Bit	Name		Function					
7:4	AGC2[3:0]		Analog Gain stage 2 setting. Default: 0h					
3:0	AGC1[3:0]		Analog Gain stage 1 setting. Default: 0h					

Register 26h. Analog AGC 3–4 Gain

Bit	D7	D6	D5	D4	D3	D2	D1	D0
Name	AGC4[3:0]				AGC3[3:0]			
Bit	Name		Function					
7:4	AGC4[3:0]		Analog Gain stage 4 setting Default: 0h					
3:0	AGC3[3:0]		Analog Gain stage 3 setting Default: 0h					

Register 27h. AGC Threshold

Bit	D7	D6	D5	D4	D3	D2	D1	D0
Name	0	AGCTH[6:0]						

Bit	Name	Function
7	Reserved	Program as shown above.
6:0	AGCTH[6:0]	<p>Analog AGC Threshold.</p> <p>The value specified in this register corresponds to the desired analog AGC power level. The AGC loop adjusts the gain of the system to drive the AGC power level to this value.</p> <p>Default: 20h.</p>

Register 28h. AGC Power Level

Bit	D7	D6	D5	D4	D3	D2	D1	D0
Name	0	AGCPWR[6:0]						

Bit	Name	Function
7	Reserved	Program as shown above.
6:0	AGCPWR[6:0]	<p>AGC Power Level.</p> <p>Represents the measured input power level after the ADC in rms format. The measurement window is set by AGCW. This register saturates at full scale.</p> <p>Default: 00h.</p>

Register 29h. Carrier Estimation Control

Bit	D7	D6	D5	D4	D3	D2	D1	D0
Name	0	0	0	0	1	CESR[2:0]		

Bit	Name	Function
7:3	Reserved	Program as shown above.
2:0	CESR[2:0]	Carrier Estimation Search Range. 000 = $\pm f_s/16$ (± 12.0 MHz typ.) Exclusive to <i>QuickLock</i> . 001 = $\pm f_s/32$ (± 6.3 MHz typ.) (default) 010 = $\pm f_s/64$ (± 3.1 MHz typ.) 011 = $\pm f_s/128$ (± 1.6 MHz typ.) 100 = $\pm f_s/256$ (± 0.8 MHz typ.) 101 = $\pm f_s/512$ (± 0.4 MHz typ.) 110 = $\pm f_s/1024$ (± 0.2 MHz typ.) 111 = $\pm f_s/2048$ (± 0.1 MHz typ.)

Register 31h. Symbol Rate Estimator Register L (Si2109 and Si2110 only)

Bit	D7	D6	D5	D4	D3	D2	D1	D0
Name	SREST[7:0]							

Bit	Name	Function
7:0	SREST[7:0]	Symbol Rate Estimate (Low Byte). Result of blindscan symbol rate estimator. Symbol rate = $SREST \times \text{sampling_rate} / 2^{23}$. sampling_rate is the ADC sampling rate as calculated from BS_ADCSR. Default: 00h

Register 32h. Symbol Rate Estimator Register M (Si2109 and Si2110 only)

Bit	D7	D6	D5	D4	D3	D2	D1	D0
Name	SREST[15:8]							

Bit	Name	Function
7:0	SREST[15:8]	Symbol Rate Estimate (Mid Byte). See register 31h. Default: 00h

Register 33h. Symbol Rate Estimator Register H (Si2109 and Si2110 only)

Bit	D7	D6	D5	D4	D3	D2	D1	D0
Name	SREST[23:16]							
Bit	Name		Function					
7:0	SREST[23:16]		Symbol Rate Estimate (High Byte). See register 31h. Default: 00h					

Register 36h. Carrier Estimator Offset L

Bit	D7	D6	D5	D4	D3	D2	D1	D0
Name	CFO[7:0]							
Bit	Name		Function					
7:0	CFO[7:0]		Carrier Frequency Offset (Low Byte). Designed to store a residual carrier frequency offset for future acquisitions. Used during carrier offset estimation to adjust the center frequency. $\text{Search center frequency} = f_{\text{desired}} + \text{CFO} \times \frac{f_s}{2^{15}} \text{ Hz}$ Note: CFO is a 16-bit two's complement number. Default: 00h					

Register 37h. Carrier Estimator Offset H

Bit	D7	D6	D5	D4	D3	D2	D1	D0
Name	CFO[15:8]							
Bit	Name		Function					
7:0	CFO[15:8]		Carrier Frequency Offset (High Byte). See register 36h.					

Register 38h. Carrier Frequency Offset Error L

Bit	D7	D6	D5	D4	D3	D2	D1	D0
Name	CFER[7:0]							
Bit	Name		Function					
7:0	CFER[7:0]		Carrier Frequency Offset Error (Low Byte). Stores the carrier frequency offset that is identified during the carrier offset estimation stage. $\text{Offset} = -\text{CFER} \times \frac{f_s}{2^{15}} \text{ Hz}$ Note: CFER is a 16-bit two's complement number. Default: 00h					

Register 39h. Carrier Frequency Offset Error H

Bit	D7	D6	D5	D4	D3	D2	D1	D0
Name	CFER[15:8]							
Bit	Name		Function					
7:0	CFER[15:8]		Carrier Frequency Offset Error (High Byte). See register 38h.					

Register 3Ah. Symbol Rate Estimator Control 2 Register

Bit	D7	D6	D5	D4	D3	D2	D1	D0
Name	0	0	0	0	0	0	0	FALSE_ALARM_PROC_EN

Bit	Name	Function
7:1	Reserved	Program as shown above.
0	FALSE_ALARM_PROC_EN	Enable the SRE to check for false symbol rate alarms Default: 01h

Register 3Fh. Symbol Rate L

Bit	D7	D6	D5	D4	D3	D2	D1	D0
Name	SR[7:0]							

Bit	Name	Function
7:0	SR[7:0]	Symbol Rate (Low Byte). $\text{Symbol rate} = \text{SR} \times \frac{f_s}{2^{23}} \text{ Hz}$ Sampling_rate is the ADC sampling rate as calculated from BS_ADCSR. Default: 00h.

Register 40h. Symbol Rate M

Bit	D7	D6	D5	D4	D3	D2	D1	D0
Name	SR[15:8]							

Bit	Name	Function
7:0	SR[15:8]	Symbol Rate (Mid Byte). See register 3Fh.

Register 41h. Symbol Rate H

Bit	D7	D6	D5	D4	D3	D2	D1	D0
Name	SR[23:16]							

Bit	Name	Function
7:0	SR[23:16]	Symbol Rate (High Byte). See register 3F.

Register 42h. Symbol Rate Maximum (Si2109 and Si2110 only)

Bit	D7	D6	D5	D4	D3	D2	D1	D0
Name	SRMAX[7:0]							

Bit	Name	Function
7:0	SRMAX[7:0]	Symbol Rate Estimation Maximum. $\text{Max symbol rate} = \text{SRMX} \times \frac{f_s}{2^{16}} \text{Hz}$ Sampling_rate is the ADC sampling rate as calculated from BS_ADCSR. Default: 00h.

Register 43h. Symbol Rate Minimum (Si2109 and Si2110 only)

Bit	D7	D6	D5	D4	D3	D2	D1	D0
Name	SRMIN[7:0]							

Bit	Name	Function
7:0	SRMIN[7:0]	Symbol Rate Estimation Minimum. $\text{Min symbol rate} = \text{SRMN} \times \frac{f_s}{2^{16}} \text{Hz}$ Sampling_rate is the ADC sampling rate as calculated from BS_ADCSR. Default: 00h.

Register 75h. Digital AGC 1 Control

Bit	D7	D6	D5	D4	D3	D2	D1	D0
Name	0	DAGC1_EN	DAGC1W[1:0]		DAGC1T	DAGC1HOLD	DAGC1HOST	0

Bit	Name	Function
7	Reserved	Program as shown above. (Device may change the value of this bit during operation.)
6	DAGC1_EN	Enable digital AGC 1 0 = Disabled 1 = Enabled (default)
5:4	DAGC1W[1:0]	Digital AGC Measurement Window 00 = 256 samples 01 = 512 samples 10 = 1024 samples (default) 11 = 2048 samples
3	DAGC1T	Select AGC threshold 0 = -15 dBFS (default) 1 = -9 dBFS
2	DAGC1HOLD	Hold previous computed gain value on DAGC1 0 = Update gain after each calculation (default) 1 = Do not update gain value
1	DAGC1HOST	Host-controlled DAGC1 Enable host control of holding of gain. 0 = control internal to chip (default) 1 = host control via registers DAGC1HOLD and DAGC1T
0	Reserved	Program as shown above.

Register 76h. Digital AGC 1 Gain L

Bit	D7	D6	D5	D4	D3	D2	D1	D0
Name	DAGC1[7:0]							

Bit	Name	Function
7:0	DAGC1[7:0]	Gain of digital AGC 1 (low-byte). Default: 00h

Register 77h. Digital AGC 1 Gain H

Bit	D7	D6	D5	D4	D3	D2	D1	D0
Name	DAGC1[15:8]							
Bit	Name		Function					
7:0	DAGC1[15:8]		Gain of digital AGC 1 (high-byte). Default: 00h					

Register 78h. Digital AGC 2 Control

Bit	D7	D6	D5	D4	D3	D2	D1	D0	
Name	Reserved	DAGC2[3:0]				DAGC2W[1:0]		DAGC2TDIS	
Bit	Name		Function						
7	Reserved		Program as shown above. (Device may change the value of this bit during operation.)						
6:3	DAGC2[3:0]		Digital AGC2 gain factor Default: 0h						
2:1	DAGC2W[1:0]		Digital AGC2 Measurement window						
			Acquisition			Tracking			
			00 = 16 samples (default)			1024 samples (default)			
			01 = 32 samples			2048 samples			
			10 = 64 samples			4096 samples			
			11 = 128 samples			8192 samples			
0	DAGC2TDIS		Digital AGC2 Automatic Tracking Disable 1 = Disable automatic tracking. Freeze applied to gain. 0 = Enable automatic tracking. (default)						

Register 79h. Digital AGC 2 Threshold

Bit	D7	D6	D5	D4	D3	D2	D1	D0
Name	DAGC2T[7:0]							
Bit	Name		Function					
7:0	DAGC2T[7:0]		Digital AGC2 Threshold. Default: B5h					

Register 7Ah. Digital AGC 2 Level L

Bit	D7	D6	D5	D4	D3	D2	D1	D0
Name	DAGC2GA[7:0]							

Bit	Name	Function
7:0	DAGC2GA[7:0]	Digital AGC2 Gain Auto (low byte). Digital AGC2 gain applied to meet threshold Default: 00h

Register 7Bh. Digital AGC 2 Level H

Bit	D7	D6	D5	D4	D3	D2	D1	D0
Name	DAGC2GA[15:8]							

Bit	Name	Function
7:0	DAGC2GA[15:8]	Digital AGC2 Gain Auto (high byte). See register 7Ah. Default: 00h

Register 7Ch. C/N Estimator Control

Bit	D7	D6	D5	D4	D3	D2	D1	D0
Name	CNS	0	0	0	0	CNM	CNW[1:0]	

Bit	Name	Function
7	CNS	C/N Estimator Start. Writing a one to this bit initiates an C/N estimator and clears the result stored in CNL. This bit is automatically cleared to zero when the measurement period elapses.
6:3	Reserved	Program as shown above.
2	CNM	C/N Estimator Mode. 0 = Finite window 1 = Infinite window (default)
1:0	CNW[1:0]	C/N Measurement Window. 00 = 1024 samples 01 = 4096 samples (default) 10 = 16384 samples 11 = 65536 samples

Register 7Dh. C/N Estimator Threshold0

Bit	D7	D6	D5	D4	D3	D2	D1	D0
Name	CNET[7:0]							
Bit	Name		Function					
7:0	CNET[7:0]		C/N Estimator Threshold. This value defines a noise threshold for the C/N estimator. Default: 13h					

Register 7Eh. C/N Estimator Level L

Bit	D7	D6	D5	D4	D3	D2	D1	D0
Name	CNL[7:0]							
Bit	Name		Function					
7:0	CNL[7:0]		C/N Estimator Level (Low Byte). The value in this register is to be used with an external lookup table to estimate the C/N of the input signal. Default: 00h					

Register 7Fh. C/N Estimator Level H

Bit	D7	D6	D5	D4	D3	D2	D1	D0
Name	CNL[15:8]							
Bit	Name		Function					
7:0	CNL[15:8]		C/N Estimator Level (High Byte). See Register 7Eh.					

Register 80h. *QuickScan* Control Register

Bit	D7	D6	D5	D4	D3	D2	D1	D0
Name	BS_START	0	BSDA	0	0	0	0	COESM

Bit	Name	Function
7	BS_START	QuickScan Start. 0 = normal operation (default) 1 = start <i>QuickScan</i>
6	Reserved	Program as shown above.
5	BSDA	QuickScan Data Ready. 0 = Cleared by host. Indicates host has read the valid channel information from the register bank and the device can write new values for the next channel. 1 = Set by the device. Remains set as long as the host has not read the channel information from the register bank. The blindscan operation waits for the host to clear the bit before writing values for the next channel.
4:1	Reserved	Program as shown above.
0	COESM	Carrier Offset Estimation Selection Mode. 0 = Legacy Mode (default) 1 = <i>QuickLock</i>

Register 81h. *QuickScan* Controller Minimum Frequency Register L (Si2109 and Si2110 only)

Bit	D7	D6	D5	D4	D3	D2	D1	D0
Name	BS_FMIN[7:0]							

Bit	Name	Function
7:0	BS_FMIN[7:0]	Lower RF frequency limit for <i>QuickScan</i> range: $BS_FMIN = \frac{\text{Minimum Frequency (MHz)}}{BS_ADCSR \text{ (MHz)}} \times 2^{14}$ Default: 14h

Register 82h. QuickScan Controller Minimum Frequency Register M (Si2109 and Si2110 only)

Bit	D7	D6	D5	D4	D3	D2	D1	D0
Name	BS_FMIN[15:8]							
Bit	Name		Function					
7:0	BS_FMIN[15:8]		See register 81h. Default: 08h					

Register 83h. QuickScan Controller Minimum Frequency Register H (Si2109 and Si2110 only)

Bit	D7	D6	D5	D4	D3	D2	D1	D0
Name	0	0	0	0	0	0	BS_FMIN[17:16]	
Bit	Name		Function					
7:2	Reserved		Program as shown above.					
1:0	BS_FMIN[17:16]		See register 81h. Default: 01h					

Register 84h. QuickScan Controller Maximum Frequency Register L (Si2109 and Si2110 only)

Bit	D7	D6	D5	D4	D3	D2	D1	D0
Name	BS_FMAX[7:0]							
Bit	Name		Function					
7:0	BS_FMAX[7:0]		Higher RF frequency limit for <i>QuickScan</i> range: $BS_FMAX = \frac{\text{Maximum Frequency (MHz)}}{BS_ADCSR \text{ (MHz)}} \times 2^{14}$ Default: F6h					

Register 85h. QuickScan Controller Maximum Frequency Register M (Si2109 and Si2110 only)

Bit	D7	D6	D5	D4	D3	D2	D1	D0
Name	BS_FMAX[15:8]							
Bit	Name		Function					
7:0	BS_FMAX[15:8]		See register 84h. Default: 9Bh					

Register 86h. QuickScan Controller Maximum Frequency Register H (Si2109 and Si2110 only)

Bit	D7	D6	D5	D4	D3	D2	D1	D0
Name	0	0	0	0	0	0	BS_FMAX[17:16]	
Bit	Name		Function					
7:2	Reserved		Program as shown above.					
1:0	BS_FMAX[17:16]		See register 84h. Default: 02h					

Register 89h. QuickScan Controller Coarse Tuning Frequency Register (Si2109 and Si2110 only)

Bit	D7	D6	D5	D4	D3	D2	D1	D0
Name	BS_CTF[7:0]							
Bit	Name		Function					
7:0	BS_CTF[7:0]		Coarse frequency of identified channel = 10 MHz x BS_CTF. Default: 00h					

Register 8Ah. QuickScan Controller Fine Tuning Frequency Register L (Si2109 and Si2110 only)

Bit	D7	D6	D5	D4	D3	D2	D1	D0
Name	BS_FTF[7:0]							
Bit	Name		Function					
7:0	BS_FTF[7:0]		Fine frequency of identified channel, low byte. Fine frequency = BS_Fs/16384 x BS_FTF Default: 00h					

Register 8Bh. QuickScan Controller Fine Tuning Frequency Register H (Si2109 and Si2110 only)

Bit	D7	D6	D5	D4	D3	D2	D1	D0
Name	0	BS_FTF[14:8]						

Bit	Name	Function
7	Reserved	Program as shown above.
6:0	BS_FTF[14:8]	Fine frequency of identified channel, high byte. See register 8Ah. Default: 00h

Register 8Ch. QuickScan Controller ADC Sampling Rate Register (Si2109 and Si2110 only)

Bit	D7	D6	D5	D4	D3	D2	D1	D0
Name	BS_ADCSR[7:0]							

Bit	Name	Function
7:0	BS_ADCSR[7:0]	QuickScan ADC sampling rate used for the identified channel. $BS_{Fs} = BS_ADCSR \times 1 \text{ MHz}$ Default: 00h

Register 8Dh. LSA Control 1 Register (Si2109 and Si2110 only)

Bit	D7	D6	D5	D4	D3	D2	D1	D0
Name	0	AVG_WIN[6:5]	02h		01h		02h	

Bit	Name	Function
7	Reserved	Program as shown above.
6:5	AVG_WIN[6:5]	Length of the time averaging window for computation for LSA in blind scan mode. Refer to Silicon Laboratories application note AN298 for recommended default values for QuickLock/QuickScan operation.
4:3	Reserved	Program as shown above.
2	Reserved	Program as shown above.
1:0	Reserved	Program as shown above.

Register 8Fh. Spectrum Tilt Correction Threshold Register (Si2109 and Si2110 only)

Bit	D7	D6	D5	D4	D3	D2	D1	D0
Name	SPEC_TILT_CORREC[7:0]							
Bit	Name		Function					
7:0	SPEC_TILT_CORREC[7:0]		Correction to be applied for spectrum tilt. Refer to Silicon Laboratories application note AN298 for recommended default values for <i>QuickLock/QuickScan</i> operation.					

Register 90h. 1dB Bandwidth Threshold Register (Si2109 and Si2110 only)

Bit	D7	D6	D5	D4	D3	D2	D1	D0
Name	BW_1dB							
Bit	Name		Function					
7:0	BW_1dB[7:0]		Threshold used to determine 1 dB bandwidth for a detected channel. Refer to Silicon Laboratories application note AN298 for recommended default values for <i>QuickLock/QuickScan</i> operation.					

Register 91h. 2dB Bandwidth Threshold Register (Si2109 and Si2110 only)

Bit	D7	D6	D5	D4	D3	D2	D1	D0
Name	BW_2dB							
Bit	Name		Function					
7:0	BW_2dB[7:0]		Threshold used to determine 2 dB bandwidth for a detected channel. Refer to Silicon Laboratories application note AN298 for recommended default values for <i>QuickLock/QuickScan</i> operation.					

Register 92h. 3dB Bandwidth Threshold Register (Si2109 and Si2110 only)

Bit	D7	D6	D5	D4	D3	D2	D1	D0
Name	BW_3dB							
Bit	Name		Function					
7:0	BW_3dB[7:0]		Threshold used to determine 3 dB bandwidth for a detected channel. Refer to Silicon Laboratories application note AN298 for recommended default values for <i>QuickLock/QuickScan</i> operation.					

Register 93h. Inband Power Threshold Register (Si2109 and Si2110 only)

Bit	D7	D6	D5	D4	D3	D2	D1	D0
Name	INBAND_THRESHOLD							

Bit	Name	Function
7:0	INBAND_THRESHOLD[7:0]	Threshold for determining the drop in power in a channel as the LSA scans a detected channel to determine the channel bandwidth. Refer to Silicon Laboratories application note AN298 for recommended default values for <i>QuickLock/QuickScan</i> operation.

Register 94h. Noise Level Margin Threshold Register (Si2109 and Si2110 only)

Bit	D7	D6	D5	D4	D3	D2	D1	D0
Name	REF_NOISE_MARGIN[7:0]							

Bit	Name	Function
7:0	REF_NOISE_MARGIN[7:0]	Power level threshold for the detection of channels. Refer to Silicon Laboratories application note AN298 for recommended default values for <i>QuickLock/QuickScan</i> operation.

Register A0h. Viterbi Search Control 1

Bit	D7	D6	D5	D4	D3	D2	D1	D0
Name	0	0	VTCS[5:0]					

Bit	Name	Function
7:6	Reserved	Program as shown above.
5:0	VTCS[5:0]	Viterbi Code Rate Search Parameter Enable. The code rates to be used in the Viterbi search are selected by writing a one into the appropriate bit position. The list below illustrates the relationship between bit position and code rate. Bit 5 = 7/8 code rate (MSB) Bit 4 = 6/7 code rate Bit 3 = 5/6 code rate Bit 2 = 3/4 code rate Bit 1 = 2/3 code rate Bit 0 = 1/2 code rate (LSB) Default: All code rates selected (3Fh).

Register A2h. Viterbi Search Control 2

Bit	D7	D6	D5	D4	D3	D2	D1	D0
Name	0	0	0	0	VTERS	VTERM	VTERW[1:0]	

Bit	Name	Function
7:4	Reserved	Program as shown above.
3	VTERS	Viterbi BER Measurement Start Writing a one to this bit initiates the Viterbi BER measurement.
2	VTERM	Viterbi BER Measurement Mode 0 = finite window (default) 1 = infinite window
1:0	VTERW[1:0]	Viterbi BER Measurement Window 00 = 2^{13} bits (default) 01 = 2^{17} bits 10 = 2^{21} bits 11 = 2^{25} bits

Register A3h. Viterbi Search Status

Bit	D7	D6	D5	D4	D3	D2	D1	D0
Name	VTRS[2:0]			0	0	0	VTPS	VTIQS

Bit	Name	Function
7:5	VTRS[2:0]	Viterbi Current Code Rate Status. 000 = 1/2 code rate (default) 001 = 2/3 code rate 010 = 3/4 code rate 011 = 5/6 code rate 100 = 6/7 code rate 101 = 7/8 code rate 11x = Undefined
4:2	Reserved	Program as shown above.
1	VTPS	Viterbi Constellation Rotation Phase Status. 0 = Not rotated (default) 1 = Rotated by 90 degrees
0	VTIQS	Viterbi I/Q Swap Status. 0 = Not swapped (default) 1 = Swapped

Register ABh. Viterbi BER Count L

Bit	D7	D6	D5	D4	D3	D2	D1	D0
Name	VTERC[7:0]							
Bit	Name		Function					
7:0	VTERC[7:0]		Viterbi BER Counter (Low Byte). Stores the number of the Viterbi bit errors detected within the specified measurement window. This register saturates when it reaches the limit of its range. Default: 00h					

Register ACh. Viterbi BER Count H

Bit	D7	D6	D5	D4	D3	D2	D1	D0
Name	VTERC[15:8]							
Bit	Name		Function					
7:0	VTERC[15:8]		Viterbi BER Counter (High Byte). See Register ABh.					

Register B0h. Reed-Solomon BER Error Monitor Control

Bit	D7	D6	D5	D4	D3	D2	D1	D0
Name	0	0	0	RSERS	RSERM	RSERW	RSERT[1:0]	

Bit	Name	Function
7:5	Reserved	Program as shown above.
4	RSERS	Reed-Solomon BER Measurement Start. Writing a one to this bit initiates the Reed-Solomon BER measurement.
3	RSERM	Reed-Solomon Measurement Mode. 0 = Finite window (default) 1 = Infinite window
2	RSERW	Reed-Solomon Measurement Window. 0 = 2^{12} frames (default) 1 = 2^{16} frames
1:0	RSERT[1:0]	Reed-Solomon Error Type. 00 = Corrected bit errors (default) 01 = Corrected byte errors 10 = Uncorrected packets 11 = PRBS errors

Register B1h. Reed-Solomon Error Monitor Count L

Bit	D7	D6	D5	D4	D3	D2	D1	D0
Name	RSERC[7:0]							

Bit	Name	Function
7:0	RSERC[7:0]	Reed-Solomon Error Counter (Low Byte). Stores the number of RS or PRBS errors detected within the specified window. This register saturates when it reaches the limit of its range. Default: 00h

Register B2h. Reed-Solomon Error Monitor Count H

Bit	D7	D6	D5	D4	D3	D2	D1	D0
Name	RSERC[15:8]							

Bit	Name	Function
7:0	RSERC[15:8]	Reed-Solomon Error Counter (High Byte). See Register B1h.

Register B3h. Descrambler Control

Bit	D7	D6	D5	D4	D3	D2	D1	D0
Name	0	0	0	0	0	0	DST_DS	DSO_DS

Bit	Name	Function
7:2	Reserved	Program as shown above.
1	DST_DS	Descrambler Transport Error Insertion Disable. 0 = Enabled (default) 1 = Disabled
0	DSO_DS	Descrambler Inverted SYNC Overwrite Disable. 0 = Enabled (default) 1 = Disabled

Register B5h. PRBS Control

Bit	D7	D6	D5	D4	D3	D2	D1	D0
Name	PRBS_START	PRBS_INVERT	PRBS_SYNC	0	0	0	PRBS_HEADER_SIZE[1:0]	

Bit	Name	Function										
7	PRBS_START	Start PRBS Synchronization. 1 = Start PRBS synchronization Default = 0										
6	PRBS_INVERT	Invert PRBS Output. 1 = PRBS inverted. Default = 0										
5	PRBS_SYNC	Synchronization Achieved for PRBS Test. 0 = Not synchronized. 1 = Synchronized Default = 0										
4:2	Reserved	Read returns zero.										
1:0	PRBS_HEADER_SIZE	Packet Header Size. This signals the number of bytes at the start of a TS packet that are considered TS header, and that are not occupied by PRBS data in PRBS test mode. <table style="margin-left: 40px;"> <tr> <td><u>DVB-S mode</u></td> <td><u>DSS mode</u></td> </tr> <tr> <td>00 = 1</td> <td>0 (Default)</td> </tr> <tr> <td>01 = 2</td> <td>1</td> </tr> <tr> <td>10 = 3</td> <td>2</td> </tr> <tr> <td>11 = 4</td> <td>3</td> </tr> </table>	<u>DVB-S mode</u>	<u>DSS mode</u>	00 = 1	0 (Default)	01 = 2	1	10 = 3	2	11 = 4	3
<u>DVB-S mode</u>	<u>DSS mode</u>											
00 = 1	0 (Default)											
01 = 2	1											
10 = 3	2											
11 = 4	3											

Register C0h. LNB Control 1

Bit	D7	D6	D5	D4	D3	D2	D1	D0
Part	Si2107/9							
Name	LNBS	0	LNBSCT	LNBB	MMSG	MSGL[2:0]		
Part	Si2108/10							
Name	LNBS	LNBV	LNBSCT	LNBB	MMSG	MSGL[2:0]		

Bit	Name	Function
7	LNBS	<p>LNB Start.</p> <p>Writing a one to this bit initiates an LNB signaling sequence. This bit is automatically cleared to zero when the sequence is complete.</p> <p>Note: Not available in manual LNB mode.</p>
6	LNBV	<p>LNB DC Voltage Selection.</p> <p>0 = 13 V (default) 1 = 18 V</p>
5	LNBSCT	<p>Continuous Tone Selection.</p> <p>0 = Normal operation (default) 1 = Send continuous tone</p> <p>Note: Not available in manual LNB mode.</p>
4	LNBB	<p>Tone Burst Selection.</p> <p>0 = Unmodulated tone burst (default) 1 = Modulated tone burst</p> <p>Note: For use in automatic LNB mode only. Use a 1-byte DiSEqC message for tone burst implementation in step-by-step LNB mode.</p>
3	MMSG	<p>More Messages.</p> <p>0 = Normal operation (default) 1 = Indicates more DiSEqC messages to be sent</p> <p>This bit is automatically cleared to zero when the sequence is complete.</p> <p>Note: For use in automatic LNB mode only.</p>
2:0	MSGL[2:0]	<p>Message Length.</p> <p>000 = No message (default) 001 = One byte 010 = Two bytes 011 = Three bytes 100 = Four bytes 101 = Five bytes 110 = Six bytes 111 = Longer than six bytes.</p> <p>Notes:</p> <ol style="list-style-type: none"> 1. When message length is set to one byte, tone burst modulation is used. When message length is set to two or more bytes, DiSEqC modulation is used. 2. Not available in manual LNB mode.

Register C1h. LNB Control 2

Bit	D7	D6	D5	D4	D3	D2	D1	D0
Name	LNBM[1:0]		0	0	0	BRST_DS	TFS	0

Bit	Name	Function
7:6	LNBM[1:0]	LNB Signaling Mode. 00 = Automatic (default) 01 = Step-by-step 10 = Manual 11 = Reserved
5:3	Reserved	Program as shown above.
2	BRST_DS	Tone Burst Disable. 0 = Enabled (default) 1 = Disabled Note: For use in automatic LNB mode only, in conjunction with LNBB (C0h[4])
1	TFS	Tone Format Select. 0 = Tone generation/detection (default) 1 = Envelope generation/detection
0	Reserved	Program as shown above.

Register C2h. LNB Control 3

Bit	D7	D6	D5	D4	D3	D2	D1	D0
Name	TDIR	TT	TR	0	0	0	0	0

Bit	Name	Function
7	TDIR	Tone Direction Control. Controls output of DRC pin. 0 = Low (logic zero) (default) 1 = High (logic one) Note: This bit is only active in manual LNB mode.
6	TT	Tone Transmit. Controls output of TGEN pin. 0 = Tone off / Low (logic zero) (default) 1 = Tone on / High (logic one) Note: This bit is only active in manual LNB mode.
5	TR	Tone Receive. Detects input on TDET pin. 0 = No tone or low signal detected (default) 1 = Tone or high signal detected Note: This bit is only active in manual LNB mode.
4:0	Reserved	Program as shown above.

Register C3h. LNB Control 4

Bit	D7	D6	D5	D4	D3	D2	D1	D0
Name	TFQ[7:0]							

Bit	Name	Function
7	TFQ[7:0]	<p>LNB Tone Frequency Control.</p> <p>Used to set the frequency of the LNB tone according to the following equation:</p> $\text{Frequency} = 100 \text{ MHz} / [32 \times (\text{TFQ} + 1)]$ <p>00000000–01111011 = Reserved 01111100–10011011 = Valid range 10011100–11111111 = Reserved Default: 8Dh = 22 kHz</p>

Register C4h. LNB Status

Bit	D7	D6	D5	D4	D3	D2	D1	D0
Name	FE	FF	MSGPE	MSGR	MSGTO	MSGRL[2:0]		

Bit	Name	Function
7	FE	Message FIFO Empty. 0 = Normal operation (default) 1 = Message FIFO empty
6	FF	Message FIFO Full. 0 = Normal operation (default) 1 = Message FIFO full
5	MSGPE	Message Parity Error. 0 = Normal operation (default) 1 = Parity error detected
4	MSGR	Message Received. 0 = Normal operation (default) 1 = Message received
3	MSGTO	Message Timeout. 0 = Normal operation (default) 1 = Message reply not received within 150 ms
2:0	MSGRL[2:0]	Received Message Length. 000 = No message (default) 001 = One byte 010 = Two bytes 011 = Three bytes 100 = Four bytes 101 = Five bytes 110 = Six bytes 111 = Longer than six bytes

Register C5-CAh. Message FIFO 1–6

Bit	D7	D6	D5	D4	D3	D2	D1	D0
Name	FIFOx[7:0]							
Bit	Name		Function					
7:0	FIFO1–6[7:0]		Message FIFO. Contains message to be transmitted or message received.					

Register CBh. LNB Supply Control 1 (Si2108 and Si2110 only)

Bit	D7	D6	D5	D4	D3	D2	D1	D0
Name	VLOW[3:0]				VHIGH[3:0]			
Bit	Name		Function					
7:4	VLOW[3:0]		LNB Supply Low Voltage. Low voltage = $V_{low_nom} + VLOW[3:0] \times 0.0625V + V_{boost}$, where V_{low_nom} is determined by the LNBV(C0h[6]) register bit, and V_{boost} is determined by the COMP(CEh[2]) register bit. Default: Low voltage = $V_{low_nom} + 0.0 V + V_{boost}$.					
3:0	VHIGH[3:0]		LNB Supply High Voltage. High voltage = $V_{high_nom} + VHIGH[3:0] \times 0.0625V + V_{boost}$, where V_{high_nom} is determined by the LNBV(C0h[6]) register bit, and V_{boost} is determined by the COMP(CEh[2]) register bit. Default: High voltage = $V_{high_nom} + 0.0 V + V_{boost}$.					

Si2107/08/09/10

Register CCh. LNB Supply Control 2 (Si2108 and Si2110 only)

Bit	D7	D6	D5	D4	D3	D2	D1	D0
Name	ILIM[1:0]		IMAX[1:0]		SLOT[1:0]		OLOT[1:0]	

Bit	Name	Function
7:6	ILIM[1:0]	Average Current Limit. 00 = 400 – 550 mA (default) 01 = 500 – 650 mA 10 = 650 – 850 mA 11 = 800 – 1000 mA
5:4	IMAX[1:0]	Peak Current Limit. 00 = 1.2 A (default) 01 = 1.6 A 10 = 2.4 A 11 = 3.2 A
3:2	SLOT[1:0]	Short Circuit Lockout Time. 00 = 15 µs initial; 240 µs secondary 01 = 20 µs initial; 320 µs secondary (default) 10 = 40 µs initial; 480 µs secondary 11 = 20 µs
1:0	OLOT[1:0]	Overcurrent Lockout Time. 00 = 2.5 ms 01 = 3.75 ms 10 = 5.0 ms (default) 11 = 7.5 ms

Note: This register byte is read-only if LNBL=1.

Register CDh. LNB Supply Control 3 (Si2108 and Si2110 only)

Bit	D7	D6	D5	D4	D3	D2	D1	D0
Name	VMON[7:0]							

Bit	Name	Function
7:0	VMON[7:0]	LNB Voltage Monitor (read only). LNB output voltage = VMON x 0.0625 + 6 V

Register CEh. LNB Supply Control 4 (Si2108 and Si2110 only)

Bit	D7	D6	D5	D4	D3	D2	D1	D0
Name	LNBL	0	0	0	LNBL_EN	COMP	0	LNBLMD

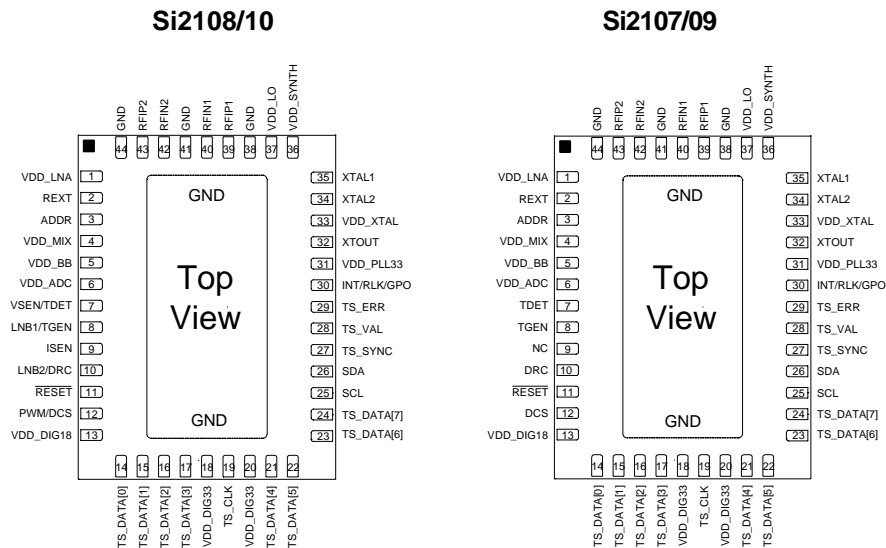
Bit	Name	Function
7	LNBL	LNB Supply Lock. Writing a one to this bit locks the contents of Register CCh. This bit can only be cleared by a device reset.
6:4	Reserved	Program as shown above.
3	LNBL_EN	LNB Supply Enable. 0 = Disabled (default) 1 = Enabled
2	COMP	LNB Cable Compensation Boost. 0 = Normal operation (default) 1 = LNB output voltage increased +1 V
1	Reserved	Program as shown above.
0	LNBLMD	LNB Mode Detect. Detected supply mode (read-only) 0 = External LNB supply circuit 1 = Internal LNB supply circuit

Register CFh. LNB Supply Status (Si2108 and Si2110 only)

Bit	D7	D6	D5	D4	D3	D2	D1	D0
Name	0	0	0	0	0	0	SCD	OCD

Bit	Name	Function
7:2	Reserved	Program as shown above.
1	SCD	Short-Circuit Detect Flag. 0 = Normal operation (default) 1 = Short-circuit detected
0	OCD	Overcurrent Detect Flag. 0 = Normal operation (default) 1 = Overcurrent detected

9. Pin Descriptions



Pin #	Name	I/O	Description
1	VDD_LNA	I	Supply Voltage. LNA power supply. Connect to 3.3 V.
2	REXT	I	External Reference Resistor. Connect 4.53 kΩ to GND.
3	ADDR	I	I²C Address Select.
4	VDD_MIX	I	Supply Voltage. Mixer power supply. Connect to 3.3 V.
5	VDD_BB	I	Supply Voltage. Baseband power supply. Connect to 1.8 V.
6	VDD_ADC	I	Supply Voltage. ADC power supply. Connect to 3.3 V.
7	VSEN/TDET	I	Voltage Sense/Tone Detect. VSEN (Si2108/10 only)—Line voltage of LNB supply circuit. TDET—Detect input of external tone or tone envelope.
8	LNB1/TGEN	O	LNB Control 1/Tone Generation. LNB1 (Si2108/10 only)—Required connection to LNB supply circuit. TGEN—Outputs tone or tone envelope.
9	ISEN	I	Current Sense (Si2108/10 only). Monitors current of LNB supply circuit. When LNB supply circuit is not populated or when using Si2107/09, leave pin unconnected.
10	LNB2/DRC	O	LNB Control 2/Direction Control. LNB2 (Si2108/10 only)—required connection to LNB supply circuit. DRC—Outputs signal to indicate message transmission (HIGH) or reception (LOW).
11	RESET	I	Device Reset. Active low.

Pin #	Name	I/O	Description
12	PWM/DCS	O	PWM/DC Voltage Select. PWM (Si2108/10 only)—Connected to gate of power MOSFET for LNB supply circuit. DCS—Outputs signal to indicate 18 V (HIGH) or 13 V (LOW) LNB supply voltage selection.
13	VDD_DIG18	I	Supply voltage. Digital power supply. Connect to 1.8 V.
14–17, 21–24	TS_DATA[7:0]	O	Transport Stream Data Bus. Serial data is output on TS_DATA[0].
18, 20	VDD_DIG33	I	Supply Voltage. Digital power supply. Connect to 3.3 V.
19	TS_CLK	O	Transport Stream Clock.
25	SCL	I	I²C Clock.
26	SDA	I/O	I²C Data.
27	TS_SYNC	O	Transport Stream Sync.
28	TS_VAL	O	Transport Stream Valid.
29	TS_ERR	O	Transport Stream Error.
30	INT/RLK/ GPO	O	Multi Purpose Output Pin. This pin can be configured to one of the following outputs using the Pin Ctrl 2 (05h) register. INT = Interrupt RLK = Receiver lock indicator GPO = General purpose output
31	VDD_PLL33	I	Supply Voltage. Analog PLL power supply. Connect to 3.3 V.
32	XTOUT	O	No Connect/Crystal oscillator output. If this device is to be used as the clock master in a multi-channel design, this pin should be connected to the XTAL1 pin of a clock slave device. (Otherwise, this pin should be left unconnected.)
33	VDD_XTAL	I	Supply Voltage. Crystal oscillator power supply. Connect to 3.3 V.
34	XTAL2	O	Crystal Oscillator. Connect to 20 MHz crystal unit.
35	XTAL1	I	Crystal Oscillator. Connect to 20 MHz crystal unit.
36	VDD_SYNTH	I	Supply Voltage. Synthesizer power supply. Connect to 3.3 V.
37	VDD_LO	I	Supply Voltage. Local oscillator power supply. Connect to 3.3 V.
38,41,44	GND	I	Ground. Reference ground.
39, 43	RFIP1, RFIP2	I	RF Input. These pins must be connected together on the board.
40, 42	RFIN1, RFIN2	I	RF Input. These pins must be connected together on the board.
ePad	GND	I	Ground. Reference ground.

10. Ordering Guide *

Ordering Part #	Description	Temperature
Si2110-D-FM	Satellite receiver for DVB-S/DSS with LNB step-up dc-dc controller and on-chip blindscan accelerator, Pb-free and RoHS Compliant	0 to 70 °C
Si2109-D-FM	Satellite receiver for DVB-S/DSS with on-chip blindscan accelerator, Pb-free and RoHS Compliant	0 to 70 °C
Si2108-D-FM	Satellite receiver for DVB-S/DSS with step-up dc-dc controller, Pb-free and RoHS Compliant	0 to 70 °C
Si2107-D-FM	Satellite receiver for DVB-S/DSS, Pb-free and RoHS Compliant	0 to 70 °C

***Note:** Add an "R" at the end of the device to denote tape and reel option; 2500 quantity per reel.

11. Package Outline: 44-pin QFN

Figure 23 illustrates the package details for the Si2110. Table 20 lists the values for the dimensions shown in the illustration.

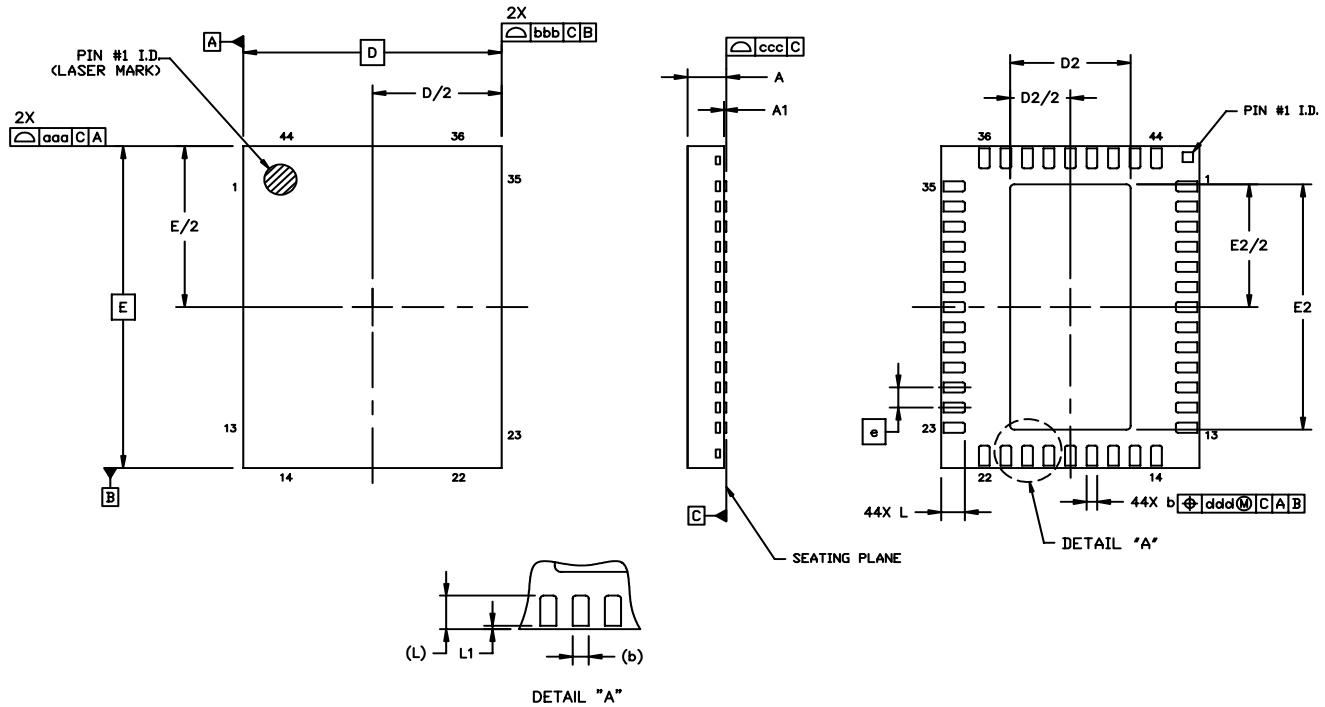


Figure 23. 44-Pin QFN

Table 20. Package Diagram Dimensions

Dimension	Millimeters			Dimension	Millimeters		
	Min	Nom	Max		Min	Nom	Max
A	0.80	0.90	1.00	E2	6.00	6.10	6.20
A1	0.00	0.02	0.05	L	0.45	0.55	0.65
b	0.18	0.25	0.30	L1	0.03	0.05	0.08
D	6.00 BSC.			aaa	0.10		
D2	2.70	2.80	2.90	bbb	0.10		
e	0.50 BSC.			ccc	0.08		
E	8.00 BSC.			ddd	0.10		

Notes:

1. Dimensioning and tolerancing per ANSI Y14.5M-1994.
2. This drawing conforms to the JEDEC Solid State Outline MO-220, Variation VJLD.
3. Recommended card reflow profile is per the JEDEC/IPC J-STD-020C specification for small body components.
4. The pin 1 I.D. pad is for component orientation only and is not to be soldered to the PCB.

12. PCB Land Pattern

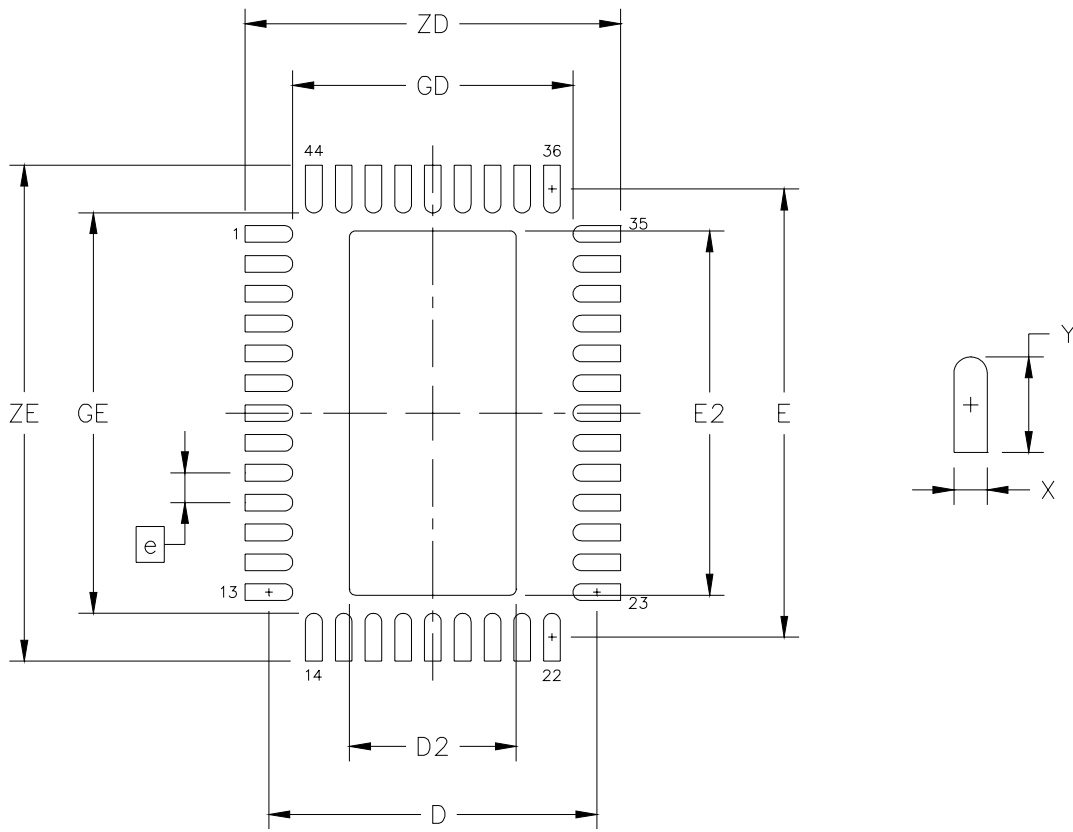


Figure 24. PCB Land Pattern

Table 21. PCB Land Pattern Dimensions

Dimension	Min	Max
e	0.50 BSC	
E	7.51 REF	
D	5.51 REF	
E2	6.00	6.20
D2	2.70	2.90
GE	6.71	--
GD	4.71	--
X	—	0.28
Y	0.80 REF	
ZE	—	8.31
ZD	—	6.31

Notes - General:

1. All dimensions shown are in millimeters (mm) unless otherwise noted.
2. Dimensioning and Tolerancing is per the ANSI Y14.5M-1994 specification.
3. This Land Pattern Design is based on IPC-SM-782 guidelines.
4. All dimensions shown are at Maximum Material Condition (MMC). Least Material Condition (LMC) is calculated based on a Fabrication Allowance of 0.05 mm.

Notes - Solder Mask Design:

1. All metal pads are to be non-solder mask defined (NSMD). Clearance between the solder mask and the metal pad is to be 60 μm minimum, all the way around the pad.

Notes - Stencil Design:

1. A stainless steel, laser-cut and electro-polished stencil with trapezoidal walls should be used to assure good solder paste release.
2. The stencil thickness should be 0.125mm (5 mils).
3. The ratio of stencil aperture to land pad size should be 1:1 for the perimeter pads.
4. A 3x6 array of 0.70mm square openings on 0.95mm pitch should be used for the center ground pad.

Notes - Card Assembly:

1. A No-Clean, Type-3 solder paste is recommended.
2. The recommended card reflow profile is per the JEDEC/IPC J-STD-020C specification for Small Body Components.

NOTES:

DOCUMENT CHANGE LIST

Revision 0.4 to Revision 0.5

- Package dimensions changed to 6 x 8 mm.
- Updated pin numbering and pin descriptions.
- Schematics updated.
- I²C interface description added.
- MPEG-TS timing specifications added.

Revision 0.5 to Revision 0.6

- Data sheet for Si2107/08/09/10.
- Added detailed operational description.
- Register map changed for Rev. C silicon.
- Various editorial changes and corrections.

Revision 0.6 to Revision 0.7

- Updated application diagram and BOM.
- Added table for multi-device I²C address support.

Revision 0.7 to Revision 0.8

- Added detailed operational description of *QuickScan* functionality in "6.9. On-Chip Blindscan Controller: QuickScan (Si2109/10 Only)" on page 35.
- Added graphs of performance illustrating typical performance.
 - Figure 4, "Eb/No (QEF Operation) vs. Input Power for Si2107/08/09/10 (Typical) SR = 27.5 Mbaud, CR = 7/8," on page 11.
 - Figure 5, "BER After Viterbi vs. Eb/No for Si2107/08/09/10," on page 11.
 - Figure 6, "Phase Noise Performance for Si2107/08/09/10 (Typical)," on page 12.
- Updated "2. Typical Application Schematics".
 - Figure 8, "Si2107/08/09/10 Schematic," on page 13
 - Figure 9, "DiSEqC 1.x LNB Supply Circuit," on page 14
 - Figure 10, "DiSEqC 2.x LNB Supply Circuit," on page 15.
- Updated "3. Bill of Materials" on page 16.
- Added "12. PCB Land Pattern" on page 94.

Revision 0.8 to Revision 0.81

- Updated documentation on *Quicklock* and *QuickScan* details.
- Added Figure 7, "Frequency Offset vs. Carrier Lock/ Acquisition Time for Various Baudrates Using QuickLock (Typical)," on page 12.

Revision 0.81 to Revision 1.0

- Table 3 on page 5 updated.
- Table 6 on page 7 updated.
- "3. Bill of Materials" on page 16 updated.

CONTACT INFORMATION

Silicon Laboratories Inc.

400 West Cesar Chavez
Austin, TX 78701
Tel: 1+(512) 416-8500
Fax: 1+(512) 416-9669
Toll Free: 1+(877) 444-3032
Email: DBSinfo@silabs.com
Internet: www.silabs.com

The information in this document is believed to be accurate in all respects at the time of publication but is subject to change without notice. Silicon Laboratories assumes no responsibility for errors and omissions, and disclaims responsibility for any consequences resulting from the use of information included herein. Additionally, Silicon Laboratories assumes no responsibility for the functioning of undescribed features or parameters. Silicon Laboratories reserves the right to make changes without further notice. Silicon Laboratories makes no warranty, representation or guarantee regarding the suitability of its products for any particular purpose, nor does Silicon Laboratories assume any liability arising out of the application or use of any product or circuit, and specifically disclaims any and all liability, including without limitation consequential or incidental damages. Silicon Laboratories products are not designed, intended, or authorized for use in applications intended to support or sustain life, or for any other application in which the failure of the Silicon Laboratories product could create a situation where personal injury or death may occur. Should Buyer purchase or use Silicon Laboratories products for any such unintended or unauthorized application, Buyer shall indemnify and hold Silicon Laboratories harmless against all claims and damages.

Silicon Laboratories and Silicon Labs are trademarks of Silicon Laboratories Inc.

Other products or brandnames mentioned herein are trademarks or registered trademarks of their respective holders.