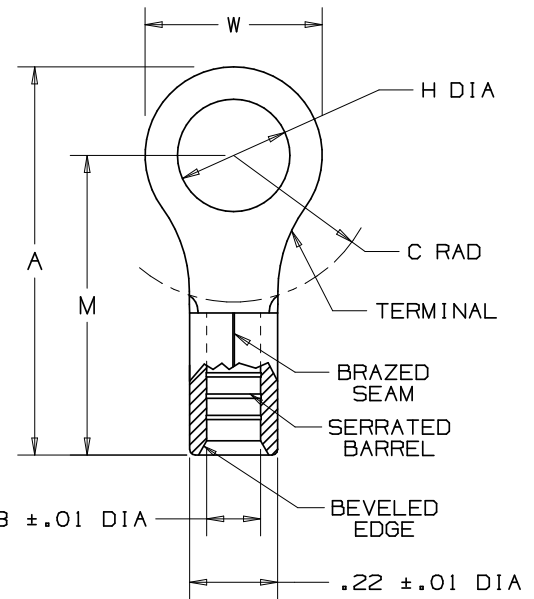


THIS COPY IS PROVIDED ON A RESTRICTED BASIS AND IS NOT TO BE USED IN ANY WAY DETRIMENTAL TO THE INTERESTS OF PANDUIT CORP.

PANDUIT PART NUMBER	MILITARY PART NO. AND CLASS	STUD SIZE	DIMENSIONS in.				
			A $\pm .03$	W $\pm .01$	C $\pm .02$	M $\pm .03$	H $\pm .01$
P10-6R	-L -D MS25036-111 CLASS I	#6	.78 (19.8)	.31 (7.9)	.31 (7.9)	.62 (15.8)	.15 (3.8)
P10-8R	-L -D MS25036-156 CLASS I	#8	.78 (19.8)	.31 (7.9)	.31 (7.9)	.62 (15.8)	.17 (4.3)
P10-10R	-L -D MS25036-112 CLASS I	#10	.81 (20.6)	.38 (9.7)	.31 (7.9)	.62 (15.8)	.20 (5.1)
P10-14R	-L -D MS25036-157 CLASS I	1/4"	.96 (24.4)	.52 (13.2)	.38 (9.7)	.70 (17.8)	.27 (6.9)
P10-56R	-L -D MS25036-113 CLASS I	5/16"	.95 (24.1)	.52 (13.2)	.38 (9.7)	.70 (17.8)	.33 (8.4)
P10-38R	-L -D MS25036-114 CLASS I	3/8"	1.05 (26.7)	.58 (14.7)	.44 (11.2)	.75 (19.1)	.39 (9.9)
P10-12R	-L -----	1/2"	1.20 (30.5)	.72 (18.3)	.53 (13.5)	.84 (21.3)	.52 (13.2)



**NOTES:**

- 1) UL LISTED AND CSA CERTIFIED FOR:
  - A. #14-10 AWG (2.5-6.0 mm<sup>2</sup>) SOLID OR STRANDED COPPER WIRE
  - B. 302°F. (150°C) MAX. TEMP. RATING
- 2) MATERIAL:
  - A. STAMPING- .04" (1.02) THK. COPPER, TIN PLATED
- 3) WIRE STRIP LENGTH- 9/32" +1/32, -0 (7.1, +.8, -0)
- 4) PACKAGE QUANTITY: -2K = 2000 PCS.
- 5) DIMENSIONS IN PARENTHESIS ARE IN MILLIMETERS
- 6) INSTALLATION TOOLS:
  - A. UL LISTED AND CSA CERTIFIED: CT-100, CT-200, CT-1550, CT-1701
  - B. PANDUIT APPROVED: CT-160, CT-260

Panduit part numbers shown on this drawing meet the material requirements of RoHS (EUROPEAN DIRECTIVES 2002/95/EC) as proposed by the Technical Adaptation Committee.



A41188\_07

07	8/06	DAW	DAW	ADDED MILITARY PART NUMBER & CLASS	TR00155	LCA	TRO	 TINLEY PARK, ILLINOIS NON-INSULATED, 12-10 BARREL, RINGS
06	12/02	SAC	SKB	FOR P10-12R DIM A WAS 1.22 & DIM M WAS .86	10504	LA	TRO	
05	5/02	SRB	SKB	ADDED SERRATIONS	10231	LA	TRO	
04	4/02	SRB	SKB	ADDED P10-12R	10171	LA	TRO	
REV	DATE	BY	CHK	DESCRIPTION	ECN #	CUST	PM	
								DRAWN BY: FES CHK'D: [ ] SCALE: NONE DRAWING NO.: A41188