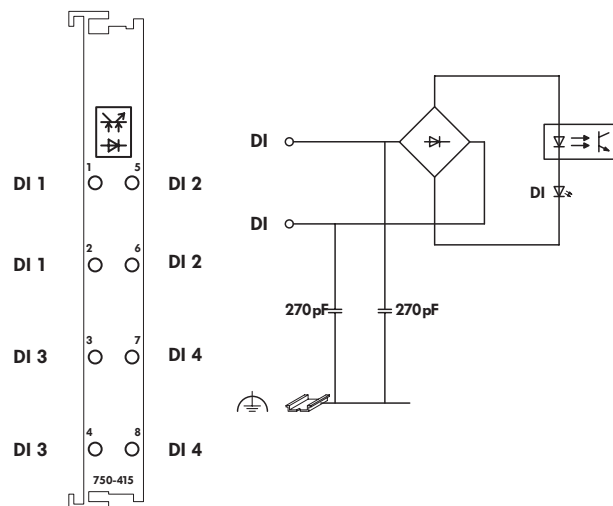
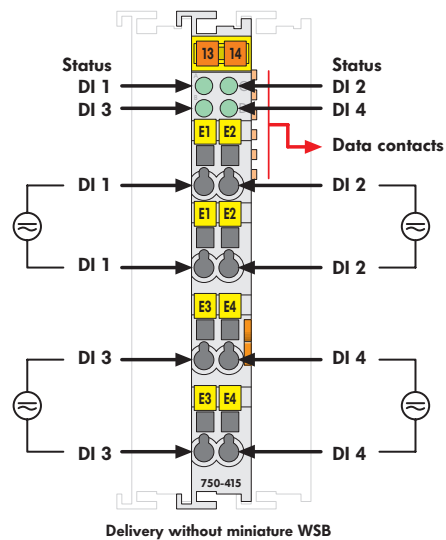
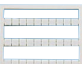


## 4-Channel Digital Input Module AC / DC 24 V

2-conductor connection



The digital input module receives signals from digital field devices (sensors, etc.). Each input module has a noise-rejection filter with a time constant. An optocoupler is used for electrical isolation between the bus and the field side. All inputs are isolated.

Description	Item-No.	Pack.-unit pcs	Technical Data	
4DI 24V AC/DC 20ms	750-415	1	No. of inputs	4
			Current consumption (internal)	10 mA
			Signal voltage (0)	DC -3 V ... +5 V AC 0 V ... 5 V
			Signal voltage (1)	DC 11 V ... 30 V AC 10 V ... 27 V
<b>General specifications</b>			Input filter	20 ms
Operating temperature	0 °C ... +55 °C		Input current typ.	DC 7.5 mA AC 9.5 mA
Wire connection CAGE CLAMP®	0.08 mm <sup>2</sup> ... 2.5 mm <sup>2</sup> ; AWG 28 ... 14		Isolation	500 V system / supply 50 V channel / channel
	8 ... 9 mm / 0.33 in stripped length		Internal bit width	4 bits
Dimensions (mm) W x H x L	12 x 64* x 100			
	* from upper edge of 35 DIN rail			
Weight	ca 50 g			
Storage temperature	-25 °C ... +85 °C			
Relative air humidity	95% no condensation			
Vibration and shock resistance	acc. to IEC 60068-2-6 acc. to IEC 60068-2-27			
Degree of protection	IP 20			
EMC CE -Immunity to interference	acc. to EN 50082-2 (1996)			
EMC CE -Emission of interference	acc. to EN 50081-1 (1993)			
EMC marine applications -Immunity to interf.	acc. to Germanischer Lloyd (1997)			
EMC marine applications -Emission of interf.	acc. to Germanischer Lloyd (1997)			
<b>Approvals</b>				
UL and marine applications	see pages 1.10 ... 1.13			
Ex	II 3 GD EEx nA II T4, Class I Div2 ABCD T4A			
Conformity marking	CE			
<b>Accessories</b>				
	<b>Miniature WSB quick marking system</b>			
	plain	248-501	5	
	with marking	see pages 1.174 ... 1.175		