

IEC Contactors & Starters

Contents

<i>Description</i>	<i>Page</i>
XT IEC Power Control	
Contactors and Starters	4-2
Product Description	4-2
Catalog Number Selection	4-3
Cover Control	4-4
Product Selection	4-6
Wiring Diagrams	4-20
Combination Motor Controllers	4-23
Product Description	4-23
Catalog Number Selection	4-24
Cover Control	4-25
Product Selection	4-27



IEC Starters



ECX Enclosed Control

Product Description

Eaton's Cutler-Hammer® **XT** Line includes IEC Contactors, Starters and Combination Motor Controllers (CMCs). Designed to meet International Standards, the Enclosed Control **XT** Line (ECX), carries UL and cUL certifications.

Features and Benefits

- AC control from 12V to 600V 50/60 Hz
- DC control from 12V to 220V
- Available with screw or spring cage terminals
- Reversing or non-reversing contactors and starters
- AC-3 contactor ratings to 1000A and AC-1 contactor ratings to 2000A
- Non-reversing starters to 650A
- Panel or DIN rail mounting to 65A
- IP20 finger and back-of-hand proof
- Large ambient temperature range, -25 to 50°C [-13 to 122°F]
- AC and DC controlled contactors in the same compact frame
- Low power consumption DC coils
- Built-in NO or NC auxiliary contacts to 32A
- Plug-in accessories for reduced installation time
- Nonmetallic and metallic enclosures in Types 1 (IP23), 4 (IP66), 4X (IP66), 12 (IP65) and 3R (IP32)
- Circuit breakers, fused, non-fused and non-combination designs available
- Opaque (standard) or clear covers available on nonmetallic Halyester enclosure option

Short Circuit Ratings

- Fused, Non-fused
 - 10K AIC @ 600V
- HMCP
 - 0 – 10 hp 15K AIC @ 600V
 - 15 – 125 hp 25K AIC @ 600V
- Non-combination
 - 0 – 1 hp 1K AIC @ 600V
 - 1.5 – 50 hp 5K AIC @ 600V
 - 50 – 200 hp 10K AIC @ 600V

Standards and Certifications

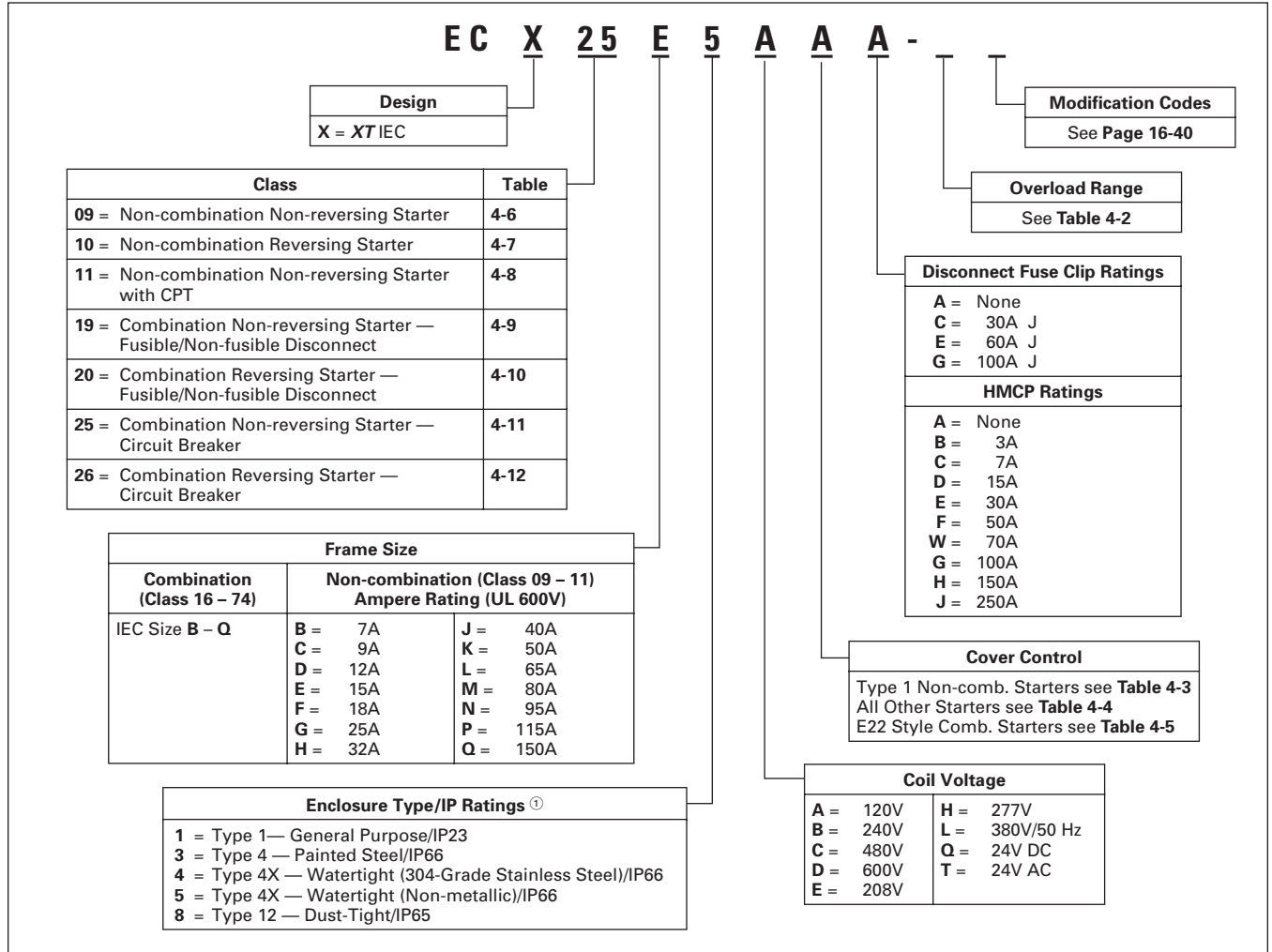
Note: See **Page 18-2** for additional information on Standards and Certifications that apply to all Cutler-Hammer Enclosed Control products.

- Fusible — with Class J fuses
 - UL Listed
 - cUL Listed ①
- Circuit Breaker HMCP/E
 - UL Listed
 - cUL Listed ①

① cUL Listing indicates appropriate CSA standard investigation.

Catalog Number Selection

Table 4-1. IEC XT Line Enclosed Control Catalog Numbering System



① See Table 1-2 on Page 1-4 for Enclosure Type/IP Rating Cross-Reference.

Table 4-2. XTOB Overload Relays for Enclosed XT

FLA Ratings	Size B – E 7 – 15A	Size F – H 18 – 32A	Size J – L 40 – 65A	Size M – N 80 – 95A	Size P – Q 115 – 150A	FLA Ratings	Size B – E 7 – 15A	Size F – H 18 – 32A	Size J – L 40 – 65A	Size M – N 80 – 95A	Size P – Q 115 – 150A
0.1 – 0.16	A	A	—	—	—	16 – 24	—	M	M	—	—
0.16 – 0.24	B	B	—	—	—	24 – 32	—	N	—	—	—
0.24 – 0.4	C	C	—	—	—	24 – 40	—	P	—	—	—
0.4 – 0.6	D	D	—	—	—	25 – 35	—	—	—	S	S
0.6 – 1	E	E	—	—	—	35 – 50	—	—	—	T	T
1 – 1.6	F	F	—	—	—	40 – 57	—	—	Q	—	—
1.6 – 2.4	G	G	—	—	—	50 – 65	—	—	R	—	—
2.4 – 4	H	H	—	—	—	50 – 70	—	—	—	U	U
4 – 6	I	I	—	—	—	70 – 100	—	—	—	V	V
6 – 10	J	J	J	—	—	95 – 125	—	—	—	—	W
9 – 12	K	—	—	—	—						
12 – 16	L ^②	L	L	—	—						

② Size B – E is 10 – 16A.

Cover Control

Non-combination Starters

Control Power Transformer (CPT) may be required.

Combination Starters

- Cover control for Combination Starters uses 10250T style devices as standard.
- E22 style cover control options are available (Table 4-5).
- Selector switches are maintained with lever operators.
- Pushbuttons are momentary type with extended pushbutton.
- The kit includes hardware and connecting wires (where possible).
- For factory installed control devices other than shown below, refer to Modification Codes, Page 16-40.



Type 1 Cover Control

Table 4-3. Type 1 Non-combination Cover Control

Description	Factory Installed Flange Control ①	Field Installation Kits
	Position 9 Code	Catalog Number

Non-reversing

No Cover Mounted Pilot Devices START/STOP Pushbuttons with Red RUN Pilot Light with Red RUN/Green OFF Lights	A B C D	C400GK0 C400GK1 C400GK12 ② C400GK16 ②
HAND/OFF/AUTO Selector Switch with Red RUN Pilot Light with Red RUN/Green OFF Lights	H J K	C400GK3 C400GK32 ② C400GK36 ②
Red RUN Pilot Light Green OFF Red RUN/Green OFF Pilot Lights	P Q R	C400GK42 ② C400GK41 ② C400GK46 ②

Reversing

No Cover Mounted Pilot Devices FOR/REV/STOP Pushbuttons with 2 Red Pilot Lights	A B C	C400GK0 C400GR1 C400GR14 ②
UP/STOP/DOWN Pushbuttons with 2 Red Pilot Lights	E F	C400GR2 C400GR24 ②
Two Red Pilot Lights One Green Pilot Light	P Q	C400GK44 ② C400GK41 ②

① For more available factory installed flange control, see Table 4-4.

② Add Code Letter from the table below to Catalog Number for voltage — Kits only. Example: C400T9B.

Rating	Code Letter	Rating	Code Letter	Rating	Code Letter
120V 60 Hz	A	277V 60 Hz	H	480V 60 Hz	C
208V 60 Hz	E	380V 50 Hz	L	600V 60 Hz	D
240V 60 Hz	B				



10250T Selector Switch

Table 4-4. Type 1 Combination and All Type 3R, 4X and 12 Cover Control ③

Description	Factory Installed Flange Control	Field Installation Kits
	Position 9 Code	Catalog Number

Non-reversing

No Cover Mounted Pilot Devices START/STOP Pushbuttons with Red RUN Pilot Light with Red RUN/Green OFF Lights	A B C D	— C400T1 — —
ON/OFF Pushbuttons with Red RUN Pilot Light with Red RUN/Green OFF Lights	E F G	C400T2 — —
HAND/OFF/AUTO Selector Switch with Red RUN Pilot Light with Red RUN/Green OFF Lights	H J K	C400T12 — —
START Pushbutton ON Pushbutton OFF Pushbutton Red RUN Pilot Light Green OFF Red RUN/Green OFF Pilot Lights	L M N P Q R	C400T3 C400T4 C400T5 C400T9 ④ C400T10 ④ C400T11 ④
START/STOP Selector Switch with Red RUN Pilot Light with Red RUN/Green OFF Lights	S T U	C400T13 — —
ON/OFF Selector Switch with Red RUN Pilot Light with Red RUN/Green OFF Lights	V W X	C400T14 — —

Reversing

No Cover Mounted Pilot Devices FOR/REV/STOP Pushbuttons with 2 Red Pilot Lights with 2 Red/1 Green Pilot Lights	A B C D	— C400T6 — —
UP/STOP/DOWN Pushbuttons with 2 Red Pilot Lights	E F	— —
FOR/OFF/REV Selector Switch with 2 Red Pilot Lights with 2 Red/1 Green Pilot Lights	H J K	C400T15 — —
Two Red Pilot Lights One Green Pilot Light Two Red/One Green Pilot Lights OPEN/OFF/CLOSE Selector Switch with 2 Red Pilot Lights	P Q R V W X	⑤ C400T10 ④ — C400T16 — —

③ For Type 1 Non-combination field installation kits, see Table 4-3.

④ Add Code Letter from the table below to Catalog Number for voltage — Kits only. Example: C400T9B.

Rating	Code Letter	Rating	Code Letter	Rating	Code Letter
120V 60 Hz	A	277V 60 Hz	H	480V 60 Hz	C
208V 60 Hz	E	380V 50 Hz	L	600V 60 Hz	D
240V 60 Hz	B				

⑤ Order Quantity (2) of C400T10.



E22 Selector Switch

Table 4-5. Type 1, 3R, 4X and 12 E22 Style Combination Starter Cover Control

Description	Factory Installed ①	Field Installation Kits
	Position 9 Cover Control Code	Combination Only Catalog Number
Non-reversing		
No Cover Mounted Pilot Devices	A	—
START/STOP Pushbuttons (PB)	B	CE400T01
START/STOP PB & Red RUN Light	C	CE400T02 ②
START/STOP PB, Red RUN, & Green STOPPED Light	D	CE400T03 ②
HAND/OFF/AUTO Selector Switch (SS)	H	CE400T04
H-O-A SS & Red RUN Light	J	CE400T05 ②
H-O-A SS, Red RUN, & Green STOPPED Light	K	CE400T06 ②
Red RUN Pilot Light	P	CE400T10 ②
Green Off Pilot Light	Q	CE400T11 ②
Red RUN/Green OFF Pilot Light	R	CE400T12 ②
ON/OFF Selector Switch (SS)	S	CE400T07
ON/OFF SS, Red RUN Light	T	CE400T08 ②
ON/OFF SS, Red RUN, & Green STOPPED Light	U	CE400T09 ②
Reversing		
No Cover Mounted Pilot Devices	A	—
FWD/REV/STOP Pushbuttons (PB)	B	CE400T50
FWD/REV/STOP PB + Red FWD & REV Lights	C	CE400T51 ②
FWD/REV/STOP PB, Red FWD/REV, & Green STOPPED	D	CE400T52 ②
FOR/OFF/REV Selector Switch (SS)	H	CE400T53
FOR/OFF/REV SS + Red FWD & REV Lights	J	CE400T54 ②
FOR/OFF/REV SS, Red FWD/REV, & Green STOPPED	K	CE400T55 ②
OPEN/OFF/CLOSE Selector Switch (SS)	V	CE400T56
OPEN/OFF/CLOSE SS + Red FWD & REV Lights	W	CE400T57 ②
OPEN/OFF/CLOSE SS, Red FWD/REV, & Green STOPPED	X	CE400T58 ②

① To include any of the above cover controls, place the control code character in position 9 of your Catalog Number and add Mod Code **C29**.

Example: EXE19B4ADA_ **C29**.

Full voltage non-reversing fusible starter with START/STOP pushbutton with red RUN and green OFF pilot lights.

② Suffix for lights (required for field installed kits only) in the table below:

Rating	Code Letter	Rating	Code Letter	Rating	Code Letter
120V 60 Hz	A	277V 60 Hz	H	480V 60 Hz	C
208V 60 Hz	E	380V 50 Hz	L	600V 60 Hz	D
240V 60 Hz	B				

Product Selection

Table 4-6. Class ECX09 — Non-combination Non-reversing Starter

Amps	Maximum hp ^①			Coil Voltage @ 60 Hz ^②	Type 1/IP23	Type 4X/IP66 ^④	Type 12/IP65	Component
	Motor Voltage ^⑤	1-Phase	3-Phase		Catalog Number ^③	Catalog Number ^③	Catalog Number ^③	Catalog Number ^③
Frame B								
7	115	1/4	—	120	ECX09B1AAA_	ECX09B4AAA_	ECX09B8AAA_	XTAE007B10A_
	208	3/4	1-1/2	208	ECX09B1EAA_	ECX09B4EAA_	ECX09B8EAA_	XTAE007B10E_
	230	1	2	240	ECX09B1BAA_	ECX09B4BAA_	ECX09B8BAA_	XTAE007B10B_
	380	—	3	380/50 Hz	ECX09B1LAA_	ECX09B4LAA_	ECX09B8LAA_	XTAE007B10L_
	460	—	3	480	ECX09B1CAA_	ECX09B4CAA_	ECX09B8CAA_	XTAE007B10C_
575	—	5	600	ECX09B1DAA_	ECX09B4DAA_	ECX09B8DAA_	XTAE007B10D_	
Frame C								
9	115	1/2	—	120	ECX09C1AAA_	ECX09C4AAA_	ECX09C8AAA_	XTAE009B10A_
	208	1	2	208	ECX09C1EAA_	ECX09C4EAA_	ECX09C8EAA_	XTAE009B10E_
	230	1-1/2	3	240	ECX09C1BAA_	ECX09C4BAA_	ECX09C8BAA_	XTAE009B10B_
	380	—	5	380/50 Hz	ECX09C1LAA_	ECX09C4LAA_	ECX09C8LAA_	XTAE009B10L_
	460	—	5	480	ECX09C1CAA_	ECX09C4CAA_	ECX09C8CAA_	XTAE009B10C_
575	—	7-1/2	600	ECX09C1DAA_	ECX09C4DAA_	ECX09C8DAA_	XTAE009B10D_	
Frame D								
12	115	1/2	—	120	ECX09D1AAA_	ECX09D4AAA_	ECX09D8AAA_	XTAE012B10A_
	208	1-1/2	3	208	ECX09D1EAA_	ECX09D4EAA_	ECX09D8EAA_	XTAE012B10E_
	230	2	3	240	ECX09D1BAA_	ECX09D4BAA_	ECX09D8BAA_	XTAE012B10B_
	380	—	5	380/50 Hz	ECX09D1LAA_	ECX09D4LAA_	ECX09D8LAA_	XTAE012B10L_
	460	—	7-1/2	480	ECX09D1CAA_	ECX09D4CAA_	ECX09D8CAA_	XTAE012B10C_
575	—	10	600	ECX09D1DAA_	ECX09D4DAA_	ECX09D8DAA_	XTAE012B10D_	
Frame E								
15	115	3/4	—	120	ECX09E1AAA_	ECX09E4AAA_	ECX09E8AAA_	XTAE015B10A_
	208	2	3	208	ECX09E1EAA_	ECX09E4EAA_	ECX09E8EAA_	XTAE015B10E_
	230	2	3	240	ECX09E1BAA_	ECX09E4BAA_	ECX09E8BAA_	XTAE015B10B_
	380	—	5	380/50 Hz	ECX09E1LAA_	ECX09E4LAA_	ECX09E8LAA_	XTAE015B10L_
	460	—	7-1/2	480	ECX09E1CAA_	ECX09E4CAA_	ECX09E8CAA_	XTAE015B10C_
575	—	10	600	ECX09E1DAA_	ECX09E4DAA_	ECX09E8DAA_	XTAE015B10D_	
Frame F								
18	115	2	—	120	ECX09F1AAA_	ECX09F4AAA_	ECX09F8AAA_	XTAE018C10A_
	208	2	5	208	ECX09F1EAA_	ECX09F4EAA_	ECX09F8EAA_	XTAE018C10E_
	230	3	5	240	ECX09F1BAA_	ECX09F4BAA_	ECX09F8BAA_	XTAE018C10B_
	380	—	7-1/2	380/50 Hz	ECX09F1LAA_	ECX09F4LAA_	ECX09F8LAA_	XTAE018C10L_
	460	—	10	480	ECX09F1CAA_	ECX09F4CAA_	ECX09F8CAA_	XTAE018C10C_
575	—	15	600	ECX09F1DAA_	ECX09F4DAA_	ECX09F8DAA_	XTAE018C10D_	
Frame G								
25	115	2	—	120	ECX09G1AAA_	ECX09G4AAA_	ECX09G8AAA_	XTAE025C10A_
	208	3	7-1/2	208	ECX09G1EAA_	ECX09G4EAA_	ECX09G8EAA_	XTAE025C10E_
	230	5	7-1/2	240	ECX09G1BAA_	ECX09G4BAA_	ECX09G8BAA_	XTAE025C10B_
	380	—	10	380/50 Hz	ECX09G1LAA_	ECX09G4LAA_	ECX09G8LAA_	XTAE025C10L_
	460	—	15	480	ECX09G1CAA_	ECX09G4CAA_	ECX09G8CAA_	XTAE025C10C_
575	—	10	600	ECX09G1DAA_	ECX09G4DAA_	ECX09G8DAA_	XTAE025C10D_	
Frame H								
32	115	3	—	120	ECX09H1AAA_	ECX09H4AAA_	ECX09H8AAA_	XTAE032C10A_
	208	5	10	208	ECX09H1EAA_	ECX09H4EAA_	ECX09H8EAA_	XTAE032C10E_
	230	5	10	240	ECX09H1BAA_	ECX09H4BAA_	ECX09H8BAA_	XTAE032C10B_
	380	—	15	380/50 Hz	ECX09H1LAA_	ECX09H4LAA_	ECX09H8LAA_	XTAE032C10L_
	460	—	20	480	ECX09H1CAA_	ECX09H4CAA_	ECX09H8CAA_	XTAE032C10C_
575	—	25	600	ECX09H1DAA_	ECX09H4DAA_	ECX09H8DAA_	XTAE032C10D_	

① 1 hp = 0.746 kW.

② Voltage is listed @ 60 Hz unless otherwise noted. Other voltages available upon request.

③ Select proper "XTOB" Overload Amperage range as per motor FLA, see **Table 4-2**.

④ These are the Catalog Numbers for Type 4X 304-Grade Stainless Steel, as indicated by the seventh digit 4. Example: ECX09B4AAA_. To order Type 4X 316-Grade Stainless Steel, change that digit to 9. To order Type 4 Painted Steel, change that digit to 3. To order Nonmetallic, change that digit to 5. For details on these Alternate Enclosures, see **Tab 14**.

⑤ Contact factory for other voltage options.

Cover Control **Page 4-4**
 Wiring Diagrams **Page 4-20**
 Dimensions **Page 15-5**
 Accessories **Page 16-23**
 Modification Codes **Page 16-40**
 Technical Data **Page 18-19**

Contactors and Starters

Table 4-6. Class ECX09 — Non-combination Non-reversing Starter (Continued)

Amps	Maximum hp ^①			Coil Voltage @ 60 Hz ^②	Type 1/IP23	Type 4X/IP66 ^④	Type 12/IP65	Component
	Motor Voltage ^⑤	1-Phase	3-Phase		Catalog Number ^③	Catalog Number ^③	Catalog Number ^③	Catalog Number ^③
Frame J								
40	115	3	—	120	ECX09J1AAA-	ECX09J4AAA-	ECX09J8AAA-	XTAE040D00A
	208	5	10	208	ECX09J1EAA-	ECX09J4EAA-	ECX09J8EAA-	XTAE040D00E
	230	7-1/2	15	240	ECX09J1BAA-	ECX09J4BAA-	ECX09J8BAA-	XTAE040D00D
	380	—	15	380/50 Hz	ECX09J1LAA-	ECX09J4LAA-	ECX09J8LAA-	XTAE040D00L
	460	—	30	480	ECX09J1CAA-	ECX09J4CAA-	ECX09J8CAA-	XTAE040D00C
	575	—	40	600	ECX09J1DAA-	ECX09J4DAA-	ECX09J8DAA-	XTAE040D00D
Frame K								
50	115	3	—	120	ECX09K1AAA-	ECX09K4AAA-	ECX09K8AAA-	XTAE050D00A
	208	7-1/2	15	208	ECX09K1EAA-	ECX09K4EAA-	ECX09K8EAA-	XTAE050D00E
	230	10	20	240	ECX09K1BAA-	ECX09K4BAA-	ECX09K8BAA-	XTAE050D00B
	380	—	20	380/50 Hz	ECX09K1LAA-	ECX09K4LAA-	ECX09K8LAA-	XTAE050D00L
	460	—	40	480	ECX09K1CAA-	ECX09K4CAA-	ECX09K8CAA-	XTAE050D00C
	575	—	50	600	ECX09K1DAA-	ECX09K4DAA-	ECX09K8DAA-	XTAE050D00D
Frame L								
65	115	5	—	120	ECX09L1AAA-	ECX09L4AAA-	ECX09L8AAA-	XTAE065D00A
	208	10	20	208	ECX09L1EAA-	ECX09L4EAA-	ECX09L8EAA-	XTAE065D00E
	230	15	25	240	ECX09L1BAA-	ECX09L4BAA-	ECX09L8BAA-	XTAE065D00B
	380	—	30	380/50 Hz	ECX09L1LAA-	ECX09L4LAA-	ECX09L8LAA-	XTAE065D00L
	460	—	50	480	ECX09L1CAA-	ECX09L4CAA-	ECX09L8CAA-	XTAE065D00C
	575	—	60	600	ECX09L1DAA-	ECX09L4DAA-	ECX09L8DAA-	XTAE065D00D
Frame M								
80	115	7-1/2	—	120	ECX09M1AAA-	ECX09M4AAA-	ECX09M8AAA-	XTAE080F00A
	208	15	25	208	ECX09M1EAA-	ECX09M4EAA-	ECX09M8EAA-	XTAE080F00E
	230	15	30	240	ECX09M1BAA-	ECX09M4BAA-	ECX09M8BAA-	XTAE080F00B
	380	—	50	380/50 Hz	ECX09M1LAA-	ECX09M4LAA-	ECX09M8LAA-	XTAE080F00L
	460	—	60	480	ECX09M1CAA-	ECX09M4CAA-	ECX09M8CAA-	XTAE080F00C
	575	—	75	600	ECX09M1DAA-	ECX09M4DAA-	ECX09M8DAA-	XTAE080F00D
Frame N								
95	115	7-1/2	—	120	ECX09N1AAA-	ECX09N4AAA-	ECX09N8AAA-	XTAE095F00A
	208	15	25	208	ECX09N1EAA-	ECX09N4EAA-	ECX09N8EAA-	XTAE095F00E
	230	15	40	240	ECX09N1BAA-	ECX09N4BAA-	ECX09N8BAA-	XTAE095F00B
	380	—	60	380/50 Hz	ECX09N1LAA-	ECX09N4LAA-	ECX09N8LAA-	XTAE095F00L
	460	—	75	480	ECX09N1CAA-	ECX09N4CAA-	ECX09N8CAA-	XTAE095F00C
	575	—	100	600	ECX09N1DAA-	ECX09N4DAA-	ECX09N8DAA-	XTAE095F00D
Frame P								
115	115	10	—	120	ECX09P1AAA-	ECX09P4AAA-	ECX09P8AAA-	XTAE115G00A
	208	25	40	208	ECX09P1EAA-	ECX09P4EAA-	ECX09P8EAA-	XTAE115G00E
	230	25	50	240	ECX09P1BAA-	ECX09P4BAA-	ECX09P8BAA-	XTAE115G00B
	380	—	60	380/50 Hz	ECX09P1LAA-	ECX09P4LAA-	ECX09P8LAA-	XTAE115G00L
	460	—	100	480	ECX09P1CAA-	ECX09P4CAA-	ECX09P8CAA-	XTAE115G00C
	575	—	125	600	ECX09P1DAA-	ECX09P4DAA-	ECX09P8DAA-	XTAE115G00D
Frame Q								
150	115	15	—	120	ECX09Q1AAA-	ECX09Q4AAA-	ECX09Q8AAA-	XTAE150G00A
	208	25	40	208	ECX09Q1EAA-	ECX09Q4EAA-	ECX09Q8EAA-	XTAE150G00E
	230	30	60	240	ECX09Q1BAA-	ECX09Q4BAA-	ECX09Q8BAA-	XTAE150G00B
	380	—	60	380/50 Hz	ECX09Q1LAA-	ECX09Q4LAA-	ECX09Q8LAA-	XTAE150G00L
	460	—	125	480	ECX09Q1CAA-	ECX09Q4CAA-	ECX09Q8CAA-	XTAE150G00C
	575	—	150	600	ECX09Q1DAA-	ECX09Q4DAA-	ECX09Q8DAA-	XTAE150G00D

- ① 1 hp = 0.746 kW.
- ② Voltage is listed @ 60 Hz unless otherwise noted. Other voltages available upon request.
- ③ Select proper "XTOB" Overload Amperage range as per motor FLA, see Table 4-2.
- ④ These are the Catalog Numbers for Type 4X 304-Grade Stainless Steel, as indicated by the seventh digit 4. Example: ECX09B4AAA-. To order Type 4X 316-Grade Stainless Steel, change that digit to 9. To order Type 4 Painted Steel, change that digit to 3. To order Nonmetallic, change that digit to 5. For details on these Alternate Enclosures, see Tab 14.
- ⑤ Contact factory for other voltage options.

Cover Control Page 4-4
 Wiring Diagrams Page 4-20
 Dimensions Page 15-5
 Accessories Page 16-23
 Modification Codes Page 16-40
 Technical Data Page 18-19

Contactor and Starters

4

Table 4-7. Class ECX10 — Non-combination Reversing Starter

Amps	Maximum hp ^①			Coil Voltage @ 60 Hz ^②	Type 1/IP23	Type 4X/IP66 ^④	Type 12/IP65	Component
	Motor Voltage ^⑤	1-Phase	3-Phase		Catalog Number ^③	Catalog Number ^③	Catalog Number ^③	Catalog Number ^③
Frame B								
7	115	1/4	—	120	ECX10B1AAA-	ECX10B4AAA-	ECX10B8AAA-	XTAR007B10A
	208	3/4	1-1/2	208	ECX10B1EAA-	ECX10B4EAA-	ECX10B8EAA-	XTAR007B10E
	230	1	2	240	ECX10B1BAA-	ECX10B4BAA-	ECX10B8BAA-	XTAR007B10B
	380	—	3	380/50 Hz	ECX10B1LAA-	ECX10B4LAA-	ECX10B8LAA-	XTAR007B10L
	460	—	3	480	ECX10B1CAA-	ECX10B4CAA-	ECX10B8CAA-	XTAR007B10C
	575	—	5	600	ECX10B1DAA-	ECX10B4DAA-	ECX10B8DAA-	XTAR007B10D
Frame C								
9	115	1/2	—	120	ECX10C1AAA-	ECX10C4AAA-	ECX10C8AAA-	XTAR009B10A
	208	1	2	208	ECX10C1EAA-	ECX10C4EAA-	ECX10C8EAA-	XTAR009B10E
	230	1-1/2	3	240	ECX10C1BAA-	ECX10C4BAA-	ECX10C8BAA-	XTAR009B10B
	380	—	5	380/50 Hz	ECX10C1LAA-	ECX10C4LAA-	ECX10C8LAA-	XTAR009B10L
	460	—	5	480	ECX10C1CAA-	ECX10C4CAA-	ECX10C8CAA-	XTAR009B10C
	575	—	7-1/2	600	ECX10C1DAA-	ECX10C4DAA-	ECX10C8DAA-	XTAR009B10D
Frame D								
12	115	1/2	—	120	ECX10D1AAA-	ECX10D4AAA-	ECX10D8AAA-	XTAR012B10A
	208	1-1/2	3	208	ECX10D1EAA-	ECX10D4EAA-	ECX10D8EAA-	XTAR012B10E
	230	2	3	240	ECX10D1BAA-	ECX10D4BAA-	ECX10D8BAA-	XTAR012B10B
	380	—	5	380/50 Hz	ECX10D1LAA-	ECX10D4LAA-	ECX10D8LAA-	XTAR012B10L
	460	—	7-1/2	480	ECX10D1CAA-	ECX10D4CAA-	ECX10D8CAA-	XTAR012B10C
	575	—	10	600	ECX10D1DAA-	ECX10D4DAA-	ECX10D8DAA-	XTAR012B10D
Frame E								
15	115	3/4	—	120	ECX10E1AAA-	ECX10E4AAA-	ECX10E8AAA-	XTAR015B10A
	208	2	3	208	ECX10E1EAA-	ECX10E4EAA-	ECX10E8EAA-	XTAR015B10E
	230	2	3	240	ECX10E1BAA-	ECX10E4BAA-	ECX10E8BAA-	XTAR015B10B
	380	—	5	380/50 Hz	ECX10E1LAA-	ECX10E4LAA-	ECX10E8LAA-	XTAR015B10L
	460	—	7-1/2	480	ECX10E1CAA-	ECX10E4CAA-	ECX10E8CAA-	XTAR015B10C
	575	—	10	600	ECX10E1DAA-	ECX10E4DAA-	ECX10E8DAA-	XTAR015B10D
Frame F								
18	115	2	—	120	ECX10F1AAA-	ECX10F4AAA-	ECX10F8AAA-	XTAR018C10A
	208	2	5	208	ECX10F1EAA-	ECX10F4EAA-	ECX10F8EAA-	XTAR018C10E
	230	3	5	240	ECX10F1BAA-	ECX10F4BAA-	ECX10F8BAA-	XTAR018C10B
	380	—	7-1/2	380/50 Hz	ECX10F1LAA-	ECX10F4LAA-	ECX10F8LAA-	XTAR018C10L
	460	—	10	480	ECX10F1CAA-	ECX10F4CAA-	ECX10F8CAA-	XTAR018C10C
	575	—	15	600	ECX10F1DAA-	ECX10F4DAA-	ECX10F8DAA-	XTAR018C10D
Frame G								
25	115	2	—	120	ECX10G1AAA-	ECX10G4AAA-	ECX10G8AAA-	XTAR025C10A
	208	3	7-1/2	208	ECX10G1EAA-	ECX10G4EAA-	ECX10G8EAA-	XTAR025C10E
	230	5	7-1/2	240	ECX10G1BAA-	ECX10G4BAA-	ECX10G8BAA-	XTAR025C10B
	380	—	10	380/50 Hz	ECX10G1LAA-	ECX10G4LAA-	ECX10G8LAA-	XTAR025C10L
	460	—	15	480	ECX10G1CAA-	ECX10G4CAA-	ECX10G8CAA-	XTAR025C10C
	575	—	10	600	ECX10G1DAA-	ECX10G4DAA-	ECX10G8DAA-	XTAR025C10D
Frame H								
32	115	3	—	120	ECX10H1AAA-	ECX10H4AAA-	ECX10H8AAA-	XTAR032C10A
	208	5	10	208	ECX10H1EAA-	ECX10H4EAA-	ECX10H8EAA-	XTAR032C10E
	230	5	10	240	ECX10H1BAA-	ECX10H4BAA-	ECX10H8BAA-	XTAR032C10B
	380	—	15	380/50 Hz	ECX10H1LAA-	ECX10H4LAA-	ECX10H8LAA-	XTAR032C10L
	460	—	20	480	ECX10H1CAA-	ECX10H4CAA-	ECX10H8CAA-	XTAR032C10C
	575	—	25	600	ECX10H1DAA-	ECX10H4DAA-	ECX10H8DAA-	XTAR032C10D

① 1 hp = 0.746 kW.

② Voltage is listed @ 60 Hz unless otherwise noted. Other voltages available upon request.

③ Select proper "XTOB" Overload Amperage range as per motor FLA, see Table 4-2.

④ These are the Catalog Numbers for Type 4X 304-Grade Stainless Steel, as indicated by the seventh digit 4. Example: ECX10B4AAA-. To order Type 4X 316-Grade Stainless Steel, change that digit to 9. To order Type 4 Painted Steel, change that digit to 3. To order Nonmetallic, change that digit to 5. For details on these Alternate Enclosures, see Tab 14.

⑤ Contact factory for other voltage options.

Cover Control Page 4-4
 Wiring Diagrams Page 4-20
 Dimensions Page 15-5
 Accessories Page 16-23
 Modification Codes Page 16-40
 Technical Data Page 18-19

Contactors and Starters

Table 4-7. Class ECX10 — Non-combination Reversing Starter (Continued)

Amps	Maximum hp ^①			Coil Voltage @ 60 Hz ^②	Type 1/IP23	Type 4X/IP66 ^④	Type 12/IP65	Component
	Motor Voltage ^⑤	1-Phase	3-Phase		Catalog Number ^③	Catalog Number ^③	Catalog Number ^③	Catalog Number ^③
Frame J								
40	115	3	—	120	ECX10J1AAA-	ECX10J4AAA-	ECX10J8AAA-	XTAR040D00A
	208	5	10	208	ECX10J1EAA-	ECX10J4EAA-	ECX10J8EAA-	XTAR040D00E
	230	7-1/2	15	240	ECX10J1BAA-	ECX10J4BAA-	ECX10J8BAA-	XTAR040D00B
	380	—	15	380/50 Hz	ECX10J1LAA-	ECX10J4LAA-	ECX10J8LAA-	XTAR040D00L
	460	—	30	480	ECX10J1CAA-	ECX10J4CAA-	ECX10J8CAA-	XTAR040D00C
	575	—	40	600	ECX10J1DAA-	ECX10J4DAA-	ECX10J8DAA-	XTAR040D00D
Frame K								
50	115	3	—	120	ECX10K1AAA-	ECX10K4AAA-	ECX10K8AAA-	XTAR050D00A
	208	7-1/2	15	208	ECX10K1EAA-	ECX10K4EAA-	ECX10K8EAA-	XTAR050D00E
	230	10	20	240	ECX10K1BAA-	ECX10K4BAA-	ECX10K8BAA-	XTAR050D00B
	380	—	20	380/50 Hz	ECX10K1LAA-	ECX10K4LAA-	ECX10K8LAA-	XTAR050D00L
	460	—	40	480	ECX10K1CAA-	ECX10K4CAA-	ECX10K8CAA-	XTAR050D00C
	575	—	50	600	ECX10K1DAA-	ECX10K4DAA-	ECX10K8DAA-	XTAR050D00D
Frame L								
65	115	5	—	120	ECX10L1AAA-	ECX10L4AAA-	ECX10L8AAA-	XTAR065D00A
	208	10	20	208	ECX10L1EAA-	ECX10L4EAA-	ECX10L8EAA-	XTAR065D00E
	230	15	25	240	ECX10L1BAA-	ECX10L4BAA-	ECX10L8BAA-	XTAR065D00B
	380	—	30	380/50 Hz	ECX10L1LAA-	ECX10L4LAA-	ECX10L8LAA-	XTAR065D00L
	460	—	50	480	ECX10L1CAA-	ECX10L4CAA-	ECX10L8CAA-	XTAR065D00C
	575	—	60	600	ECX10L1DAA-	ECX10L4DAA-	ECX10L8DAA-	XTAR065D00D
Frame M								
80	115	7-1/2	—	120	ECX10M1AAA-	ECX10M4AAA-	ECX10M8AAA-	XTAR080F00A
	208	15	25	208	ECX10M1EAA-	ECX10M4EAA-	ECX10M8EAA-	XTAR080F00E
	230	15	30	240	ECX10M1BAA-	ECX10M4BAA-	ECX10M8BAA-	XTAR080F00B
	380	—	50	380/50 Hz	ECX10M1LAA-	ECX10M4LAA-	ECX10M8LAA-	XTAR080F00L
	460	—	60	480	ECX10M1CAA-	ECX10M4CAA-	ECX10M8CAA-	XTAR080F00C
	575	—	75	600	ECX10M1DAA-	ECX10M4DAA-	ECX10M8DAA-	XTAR080F00D
Frame N								
95	115	7-1/2	—	120	ECX10N1AAA-	ECX10N4AAA-	ECX10N8AAA-	XTAR095F00A
	208	15	25	208	ECX10N1EAA-	ECX10N4EAA-	ECX10N8EAA-	XTAR095F00E
	230	15	40	240	ECX10N1BAA-	ECX10N4BAA-	ECX10N8BAA-	XTAR095F00B
	380	—	60	380/50 Hz	ECX10N1LAA-	ECX10N4LAA-	ECX10N8LAA-	XTAR095F00L
	460	—	75	480	ECX10N1CAA-	ECX10N4CAA-	ECX10N8CAA-	XTAR095F00C
	575	—	100	600	ECX10N1DAA-	ECX10N4DAA-	ECX10N8DAA-	XTAR095F00D
Frame P								
115	115	10	—	120	ECX10P1AAA-	ECX10P4AAA-	ECX10P8AAA-	XTAR115G00A
	208	25	40	208	ECX10P1EAA-	ECX10P4EAA-	ECX10P8EAA-	XTAR115G00E
	230	25	50	240	ECX10P1BAA-	ECX10P4BAA-	ECX10P8BAA-	XTAR115G00B
	380	—	60	380/50 Hz	ECX10P1LAA-	ECX10P4LAA-	ECX10P8LAA-	XTAR115G00L
	460	—	100	480	ECX10P1CAA-	ECX10P4CAA-	ECX10P8CAA-	XTAR115G00C
	575	—	125	600	ECX10P1DAA-	ECX10P4DAA-	ECX10P8DAA-	XTAR115G00D
Frame Q								
150	115	15	—	120	ECX10Q1AAA-	ECX10Q4AAA-	ECX10Q8AAA-	XTAR150G00A
	208	25	40	208	ECX10Q1EAA-	ECX10Q4EAA-	ECX10Q8EAA-	XTAR150G00E
	230	30	60	240	ECX10Q1BAA-	ECX10Q4BAA-	ECX10Q8BAA-	XTAR150G00B
	380	—	60	380/50 Hz	ECX10Q1LAA-	ECX10Q4LAA-	ECX10Q8LAA-	XTAR150G00L
	460	—	125	480	ECX10Q1CAA-	ECX10Q4CAA-	ECX10Q8CAA-	XTAR150G00C
	575	—	150	600	ECX10Q1DAA-	ECX10Q4DAA-	ECX10Q8DAA-	XTAR150G00D

- ① 1 hp = 0.746 kW.
- ② Voltage is listed @ 60 Hz unless otherwise noted. Other voltages available upon request.
- ③ Select proper "XTOB" Overload Amperage range as per motor FLA, see **Table 4-2**.
- ④ These are the Catalog Numbers for Type 4X 304-Grade Stainless Steel, as indicated by the seventh digit **4**. Example: ECX10B4AAA-. To order Type 4X 316-Grade Stainless Steel, change that digit to **9**. To order Type 4 Painted Steel, change that digit to **3**. To order Nonmetallic, change that digit to **5**. For details on these Alternate Enclosures, see **Tab 14**.
- ⑤ Contact factory for other voltage options.

Cover Control **Page 4-4**
 Wiring Diagrams **Page 4-20**
 Dimensions **Page 15-5**
 Accessories **Page 16-23**
 Modification Codes **Page 16-40**
 Technical Data **Page 18-19**

Contactors and Starters

Table 4-8. Class ECX11 — Non-combination Non-reversing Starter with CPT

Amps	Maximum hp ^①			Coil Voltage @ 60 Hz ^②	Type 1/IP23	Type 4X/IP66 ^④	Type 12/IP65	Component
	Motor Voltage ^⑤	1-Phase	3-Phase		Catalog Number ^③	Catalog Number ^③	Catalog Number ^③	Catalog Number ^③
Frame B								
7	115	1/4	—	120	ECX11B1AAA_	ECX11B4AAA_	ECX11B8AAA_	XTAE007B10A_
	208	3/4	1-1/2	208	ECX11B1EAA_	ECX11B4EAA_	ECX11B8EAA_	XTAE007B10E_
	230	1	2	240	ECX11B1BAA_	ECX11B4BAA_	ECX11B8BAA_	XTAE007B10B_
	380	—	3	380/50 Hz	ECX11B1LAA_	ECX11B4LAA_	ECX11B8LAA_	XTAE007B10L_
	460	—	3	480	ECX11B1CAA_	ECX11B4CAA_	ECX11B8CAA_	XTAE007B10C_
	575	—	5	600	ECX11B1DAA_	ECX11B4DAA_	ECX11B8DAA_	XTAE007B10D_
Frame C								
9	115	1/2	—	120	ECX11C1AAA_	ECX11C4AAA_	ECX11C8AAA_	XTAE009B10A_
	208	1	2	208	ECX11C1EAA_	ECX11C4EAA_	ECX11C8EAA_	XTAE009B10E_
	230	1-1/2	3	240	ECX11C1BAA_	ECX11C4BAA_	ECX11C8BAA_	XTAE009B10B_
	380	—	5	380/50 Hz	ECX11C1LAA_	ECX11C4LAA_	ECX11C8LAA_	XTAE009B10L_
	460	—	5	480	ECX11C1CAA_	ECX11C4CAA_	ECX11C8CAA_	XTAE009B10C_
	575	—	7-1/2	600	ECX11C1DAA_	ECX11C4DAA_	ECX11C8DAA_	XTAE009B10D_
Frame D								
12	115	1/2	—	120	ECX11D1AAA_	ECX11D4AAA_	ECX11D8AAA_	XTAE012B10A_
	208	1-1/2	3	208	ECX11D1EAA_	ECX11D4EAA_	ECX11D8EAA_	XTAE012B10E_
	230	2	3	240	ECX11D1BAA_	ECX11D4BAA_	ECX11D8BAA_	XTAE012B10B_
	380	—	5	380/50 Hz	ECX11D1LAA_	ECX11D4LAA_	ECX11D8LAA_	XTAE012B10L_
	460	—	7-1/2	480	ECX11D1CAA_	ECX11D4CAA_	ECX11D8CAA_	XTAE012B10C_
	575	—	10	600	ECX11D1DAA_	ECX11D4DAA_	ECX11D8DAA_	XTAE012B10D_
Frame E								
15	115	3/4	—	120	ECX11E1AAA_	ECX11E4AAA_	ECX11E8AAA_	XTAE015B10A_
	208	2	3	208	ECX11E1EAA_	ECX11E4EAA_	ECX11E8EAA_	XTAE015B10E_
	230	2	3	240	ECX11E1BAA_	ECX11E4BAA_	ECX11E8BAA_	XTAE015B10B_
	380	—	5	380/50 Hz	ECX11E1LAA_	ECX11E4LAA_	ECX11E8LAA_	XTAE015B10L_
	460	—	7-1/2	480	ECX11E1CAA_	ECX11E4CAA_	ECX11E8CAA_	XTAE015B10C_
	575	—	10	600	ECX11E1DAA_	ECX11E4DAA_	ECX11E8DAA_	XTAE015B10D_
Frame F								
18	115	2	—	120	ECX11F1AAA_	ECX11F4AAA_	ECX11F8AAA_	XTAE018C10A_
	208	2	5	208	ECX11F1EAA_	ECX11F4EAA_	ECX11F8EAA_	XTAE018C10E_
	230	3	5	240	ECX11F1BAA_	ECX11F4BAA_	ECX11F8BAA_	XTAE018C10B_
	380	—	7-1/2	380/50 Hz	ECX11F1LAA_	ECX11F4LAA_	ECX11F8LAA_	XTAE018C10L_
	460	—	10	480	ECX11F1CAA_	ECX11F4CAA_	ECX11F8CAA_	XTAE018C10C_
	575	—	15	600	ECX11F1DAA_	ECX11F4DAA_	ECX11F8DAA_	XTAE018C10D_
Frame G								
25	115	2	—	120	ECX11G1AAA_	ECX11G4AAA_	ECX11G8AAA_	XTAE025C10A_
	208	3	7-1/2	208	ECX11G1EAA_	ECX11G4EAA_	ECX11G8EAA_	XTAE025C10E_
	230	5	7-1/2	240	ECX11G1BAA_	ECX11G4BAA_	ECX11G8BAA_	XTAE025C10B_
	380	—	10	380/50 Hz	ECX11G1LAA_	ECX11G4LAA_	ECX11G8LAA_	XTAE025C10L_
	460	—	15	480	ECX11G1CAA_	ECX11G4CAA_	ECX11G8CAA_	XTAE025C10C_
	575	—	20	600	ECX11G1DAA_	ECX11G4DAA_	ECX11G8DAA_	XTAE025C10D_
Frame H								
32	115	3	—	120	ECX11H1AAA_	ECX11H4AAA_	ECX11H8AAA_	XTAE032C10A_
	208	5	10	208	ECX11H1EAA_	ECX11H4EAA_	ECX11H8EAA_	XTAE032C10E_
	230	5	10	240	ECX11H1BAA_	ECX11H4BAA_	ECX11H8BAA_	XTAE032C10B_
	380	—	15	380/50 Hz	ECX11H1LAA_	ECX11H4LAA_	ECX11H8LAA_	XTAE032C10L_
	460	—	20	480	ECX11H1CAA_	ECX11H4CAA_	ECX11H8CAA_	XTAE032C10C_
	575	—	25	600	ECX11H1DAA_	ECX11H4DAA_	ECX11H8DAA_	XTAE032C10D_

① 1 hp = 0.746 kW.
 ② Voltage is listed @ 60 Hz unless otherwise noted. Other voltages available upon request.
 ③ Select proper "XTOB" Overload Amperage range as per motor FLA, see **Table 4-2**.
 ④ These are the Catalog Numbers for Type 4X 304-Grade Stainless Steel, as indicated by the seventh digit **4**. Example: ECX11B4AAA_ . To order Type 4X 316-Grade Stainless Steel, change that digit to **9**. To order Type 4 Painted Steel, change that digit to **3**. To order Nonmetallic, change that digit to **5**. For details on these Alternate Enclosures, see **Tab 14**.
 ⑤ Contact factory for other voltage options.

Cover Control **Page 4-4**
 Wiring Diagrams **Page 4-20**
 Dimensions **Page 15-5**
 Accessories **Page 16-23**
 Modification Codes **Page 16-40**
 Technical Data **Page 18-19**

Contactors and Starters

Table 4-8. Class ECX11 — Non-combination Non-reversing Starter with CPT (Continued)

Amps	Maximum hp ^①			Coil Voltage @ 60 Hz ^②	Type 1/IP23	Type 4X/IP66 ^④	Type 12/IP65	Component
	Motor Voltage ^⑤	1-Phase	3-Phase		Catalog Number ^③	Catalog Number ^③	Catalog Number ^③	Catalog Number ^③
Frame J								
40	115	3	—	120	ECX11J1AAA-	ECX11J4AAA-	ECX11J8AAA-	XTAE040D00A
	208	5	10	208	ECX11J1EAA-	ECX11J4EAA-	ECX11J8EAA-	XTAE040D00E
	230	7-1/2	15	240	ECX11J1BAA-	ECX11J4BAA-	ECX11J8BAA-	XTAE040D00B
	380	—	15	380/50 Hz	ECX11J1LAA-	ECX11J4LAA-	ECX11J8LAA-	XTAE040D00L
	460	—	30	480	ECX11J1CAA-	ECX11J4CAA-	ECX11J8CAA-	XTAE040D00C
	575	—	40	600	ECX11J1DAA-	ECX11J4DAA-	ECX11J8DAA-	XTAE040D00D
Frame K								
50	115	3	—	120	ECX11K1AAA-	ECX11K4AAA-	ECX11K8AAA-	XTAE050D00A
	208	7-1/2	15	208	ECX11K1EAA-	ECX11K4EAA-	ECX11K8EAA-	XTAE050D00E
	230	10	20	240	ECX11K1BAA-	ECX11K4BAA-	ECX11K8BAA-	XTAE050D00B
	380	—	20	380/50 Hz	ECX11K1LAA-	ECX11K4LAA-	ECX11K8LAA-	XTAE050D00L
	460	—	40	480	ECX11K1CAA-	ECX11K4CAA-	ECX11K8CAA-	XTAE050D00C
	575	—	50	600	ECX11K1DAA-	ECX11K4DAA-	ECX11K8DAA-	XTAE050D00D
Frame L								
65	115	5	—	120	ECX11L1AAA-	ECX11L4AAA-	ECX11L8AAA-	XTAE065D00A
	208	10	20	208	ECX11L1EAA-	ECX11L4EAA-	ECX11L8EAA-	XTAE065D00E
	230	15	25	240	ECX11L1BAA-	ECX11L4BAA-	ECX11L8BAA-	XTAE065D00B
	380	—	30	380/50 Hz	ECX11L1LAA-	ECX11L4LAA-	ECX11L8LAA-	XTAE065D00L
	460	—	50	480	ECX11L1CAA-	ECX11L4CAA-	ECX11L8CAA-	XTAE065D00C
	575	—	60	600	ECX11L1DAA-	ECX11L4DAA-	ECX11L8DAA-	XTAE065D00D
Frame M								
80	115	7-1/2	—	120	ECX11M1AAA-	ECX11M4AAA-	ECX11M8AAA-	XTAE080F00A
	208	15	25	208	ECX11M1EAA-	ECX11M4EAA-	ECX11M8EAA-	XTAE080F00E
	230	15	30	240	ECX11M1BAA-	ECX11M4BAA-	ECX11M8BAA-	XTAE080F00B
	380	—	50	380/50 Hz	ECX11M1LAA-	ECX11M4LAA-	ECX11M8LAA-	XTAE080F00L
	460	—	60	480	ECX11M1CAA-	ECX11M4CAA-	ECX11M8CAA-	XTAE080F00C
	575	—	75	600	ECX11M1DAA-	ECX11M4DAA-	ECX11M8DAA-	XTAE080F00D
Frame N								
95	115	7-1/2	—	120	ECX11N1AAA-	ECX11N4AAA-	ECX11N8AAA-	XTAE095F00A
	208	15	25	208	ECX11N1EAA-	ECX11N4EAA-	ECX11N8EAA-	XTAE095F00E
	230	15	40	240	ECX11N1BAA-	ECX11N4BAA-	ECX11N8BAA-	XTAE095F00B
	380	—	60	380/50 Hz	ECX11N1LAA-	ECX11N4LAA-	ECX11N8LAA-	XTAE095F00L
	460	—	75	480	ECX11N1CAA-	ECX11N4CAA-	ECX11N8CAA-	XTAE095F00C
	575	—	100	600	ECX11N1DAA-	ECX11N4DAA-	ECX11N8DAA-	XTAE095F00D
Frame P								
115	115	10	—	120	ECX11P1AAA-	ECX11P4AAA-	ECX11P8AAA-	XTAE115G00A
	208	25	40	208	ECX11P1EAA-	ECX11P4EAA-	ECX11P8EAA-	XTAE115G00E
	230	25	50	240	ECX11P1BAA-	ECX11P4BAA-	ECX11P8BAA-	XTAE115G00B
	380	—	60	380/50 Hz	ECX11P1LAA-	ECX11P4LAA-	ECX11P8LAA-	XTAE115G00L
	460	—	100	480	ECX11P1CAA-	ECX11P4CAA-	ECX11P8CAA-	XTAE115G00C
	575	—	125	600	ECX11P1DAA-	ECX11P4DAA-	ECX11P8DAA-	XTAE115G00D
Frame Q								
150	115	15	—	120	ECX11Q1AAA-	ECX11Q4AAA-	ECX11Q8AAA-	XTAE150G00A
	208	25	40	208	ECX11Q1EAA-	ECX11Q4EAA-	ECX11Q8EAA-	XTAE150G00E
	230	30	60	240	ECX11Q1BAA-	ECX11Q4BAA-	ECX11Q8BAA-	XTAE150G00B
	380	—	60	380/50 Hz	ECX11Q1LAA-	ECX11Q4LAA-	ECX11Q8LAA-	XTAE150G00L
	460	—	125	480	ECX11Q1CAA-	ECX11Q4CAA-	ECX11Q8CAA-	XTAE150G00C
	575	—	150	600	ECX11Q1DAA-	ECX11Q4DAA-	ECX11Q8DAA-	XTAE150G00D

- ① 1 hp = 0.746 kW.
- ② Voltage is listed @ 60 Hz unless otherwise noted. Other voltages available upon request.
- ③ Select proper "XTOB" Overload Amperage range as per motor FLA, see Table 4-2.
- ④ These are the Catalog Numbers for Type 4X 304-Grade Stainless Steel, as indicated by the seventh digit 4. Example: ECX11B4AAA-. To order Type 4X 316-Grade Stainless Steel, change that digit to 9. To order Type 4 Painted Steel, change that digit to 3. To order Nonmetallic, change that digit to 5. For details on these Alternate Enclosures, see Tab 14.
- ⑤ Contact factory for other voltage options.

Cover Control Page 4-4
 Wiring Diagrams Page 4-20
 Dimensions Page 15-5
 Accessories Page 16-23
 Modification Codes Page 16-40
 Technical Data Page 18-19

Contactors and Starters

4

Table 4-9. Class ECX19 — Combination Non-reversing Starter — Fusible/Non-fusible Disconnect

Amps	Maximum hp ^①			Coil Voltage @ 60 Hz ^②	Fuse Clips	Type 1/IP23	Type 4X/IP66 ^④	Type 12/IP65	Component
	Motor Voltage ^⑤	1-Phase	3-Phase			Catalog Number ^③	Catalog Number ^③	Catalog Number ^③	Catalog Number ^③
Frame B									
7	—	—	—	—	30A	ECX19B1AAA_	ECX19B4AAA_	ECX19B8AAA_	XTAE007B10A_
	115	1/4	—	120		ECX19B1AAC_	ECX19B4AAC_	ECX19B8AAC_	XTAE007B10A_
	208	3/4	1-1/2	208		ECX19B1EAC_	ECX19B4EAC_	ECX19B8EAC_	XTAE007B10E_
	230	1	2	240		ECX19B1BAC_	ECX19B4BAC_	ECX19B8BAC_	XTAE007B10B_
	380	—	3	380/50 Hz		ECX19B1LAC_	ECX19B4LAC_	ECX19B8LAC_	XTAE007B10L_
	460	—	3	480		ECX19B1CAC_	ECX19B4CAC_	ECX19B8CAC_	XTAE007B10C_
	575	—	5	600		ECX19B1DAC_	ECX19B4DAC_	ECX19B8DAC_	XTAE007B10D_
Frame C									
9	—	—	—	—	30A	ECX19C1AAA_	ECX19C4AAA_	ECX19C8AAA_	XTAE009B10A_
	115	1/2	—	120		ECX19C1AAC_	ECX19C4AAC_	ECX19C8AAC_	XTAE009B10A_
	208	1	2	208		ECX19C1EAC_	ECX19C4EAC_	ECX19C8EAC_	XTAE009B10E_
	230	1-1/2	3	240		ECX19C1BAC_	ECX19C4BAC_	ECX19C8BAC_	XTAE009B10B_
	380	—	5	380/50 Hz		ECX19C1LAC_	ECX19C4LAC_	ECX19C8LAC_	XTAE009B10L_
	460	—	5	480		ECX19C1CAC_	ECX19C4CAC_	ECX19C8CAC_	XTAE009B10C_
	575	—	7-1/2	600		ECX19C1DAC_	ECX19C4DAC_	ECX19C8DAC_	XTAE009B10D_
Frame D									
12	—	—	—	—	30A	ECX19D1AAA_	ECX19D4AAA_	ECX19D8AAA_	XTAE012B10A_
	115	1/2	—	120		ECX19D1AAC_	ECX19D4AAC_	ECX19D8AAC_	XTAE012B10A_
	208	1-1/2	3	208		ECX19D1EAC_	ECX19D4EAC_	ECX19D8EAC_	XTAE012B10E_
	230	2	3	240		ECX19D1BAC_	ECX19D4BAC_	ECX19D8BAC_	XTAE012B10B_
	380	—	5	380/50 Hz		ECX19D1LAC_	ECX19D4LAC_	ECX19D8LAC_	XTAE012B10L_
	460	—	7-1/2	480		ECX19D1CAC_	ECX19D4CAC_	ECX19D8CAC_	XTAE012B10C_
	575	—	10	600		ECX19D1DAC_	ECX19D4DAC_	ECX19D8DAC_	XTAE012B10D_
Frame E									
15	—	—	—	—	30A	ECX19E1AAA_	ECX19E4AAA_	ECX19E8AAA_	XTAE015B10A_
	115	3/4	—	120		ECX19E1AAC_	ECX19E4AAC_	ECX19E8AAC_	XTAE015B10A_
	208	2	3	208		ECX19E1EAC_	ECX19E4EAC_	ECX19E8EAC_	XTAE015B10E_
	230	2	3	240		ECX19E1BAC_	ECX19E4BAC_	ECX19E8BAC_	XTAE015B10B_
	380	—	5	380/50 Hz		ECX19E1LAC_	ECX19E4LAC_	ECX19E8LAC_	XTAE015B10L_
	460	—	7-1/2	480		ECX19E1CAC_	ECX19E4CAC_	ECX19E8CAC_	XTAE015B10C_
	575	—	10	600		ECX19E1DAC_	ECX19E4DAC_	ECX19E8DAC_	XTAE015B10D_
Frame F									
18	—	—	—	—	30A	ECX19F1AAA_	ECX19F4AAA_	ECX19F8AAA_	XTAE018C10A_
	115	2	—	120		ECX19F1AAC_	ECX19F4AAC_	ECX19F8AAC_	XTAE018C10A_
	208	2	5	208		ECX19F1EAC_	ECX19F4EAC_	ECX19F8EAC_	XTAE018C10E_
	230	3	5	240		ECX19F1BAC_	ECX19F4BAC_	ECX19F8BAC_	XTAE018C10B_
	380	—	7-1/2	380/50 Hz		ECX19F1LAC_	ECX19F4LAC_	ECX19F8LAC_	XTAE018C10L_
	460	—	10	480		ECX19F1CAC_	ECX19F4CAC_	ECX19F8CAC_	XTAE018C10C_
	575	—	15	600		ECX19F1DAC_	ECX19F4DAC_	ECX19F8DAC_	XTAE018C10D_
Frame G									
25	—	—	—	—	30A	ECX19G1AAA_	ECX19G4AAA_	ECX19G8AAA_	XTAE025C10A_
	115	2	—	120		ECX19G1AAC_	ECX19G4AAC_	ECX19G8AAC_	XTAE025C10A_
	208	3	7-1/2	208		ECX19G1EAC_	ECX19G4EAC_	ECX19G8EAC_	XTAE025C10E_
	230	5	7-1/2	240		ECX19G1BAC_	ECX19G4BAC_	ECX19G8BAC_	XTAE025C10B_
	380	—	10	380/50 Hz		ECX19G1LAC_	ECX19G4LAC_	ECX19G8LAC_	XTAE025C10L_
	460	—	15	480		ECX19G1CAC_	ECX19G4CAC_	ECX19G8CAC_	XTAE025C10C_
	575	—	10	600		ECX19G1DAC_	ECX19G4DAC_	ECX19G8DAC_	XTAE025C10D_
Frame H									
32	—	—	—	—	60A	ECX19H1AAA_	ECX19H4AAA_	ECX19H8AAA_	XTAE032C10A_
	115	3	—	120		ECX19H1AAE_	ECX19H4AAE_	ECX19H8AAE_	XTAE032C10A_
	208	5	10	208		ECX19H1EAE_	ECX19H4EAE_	ECX19H8EAE_	XTAE032C10E_
	230	5	10	240		ECX19H1BAE_	ECX19H4BAE_	ECX19H8BAE_	XTAE032C10B_
	380	—	15	380/50 Hz		ECX19H1LAE_	ECX19H4LAE_	ECX19H8LAE_	XTAE032C10L_
	460	—	20	480		ECX19H1CAE_	ECX19H4CAE_	ECX19H8CAE_	XTAE032C10C_
	575	—	25	600		ECX19H1DAE_	ECX19H4DAE_	ECX19H8DAE_	XTAE032C10D_

① 1 hp = 0.746 kW.

② Voltage is listed @ 60 Hz unless otherwise noted. Other voltages available upon request.

③ Select proper "XTOB" Overload Amperage range as per motor FLA, see **Table 4-2**.

④ These are the Catalog Numbers for Type 4X 304-Grade Stainless Steel, as indicated by the seventh digit **4**. Example: ECX19B4AAA_-. To order Type 4X 316-Grade Stainless Steel, change that digit to **9**. To order Type 4 Painted Steel, change that digit to **3**. To order Nonmetallic, change that digit to **5**. For details on these Alternate Enclosures, see **Tab 14**.

⑤ Contact factory for other voltage options.

Cover Control **Page 4-4**
 Wiring Diagrams **Page 4-20**
 Dimensions **Page 15-5**
 Accessories **Page 16-23**
 Modification Codes **Page 16-40**
 Technical Data **Page 18-19**

Table 4-9. Class ECX19 — Combination Non-reversing Starter — Fusible/Non-fusible Disconnect (Continued)

Amps	Maximum hp ^①		Coil Voltage @ 60 Hz ^②	Fuse Clips	Type 1/IP23	Type 4X/IP66 ^④	Type 12/IP65	Component
	Motor Voltage ^⑤	1-Phase			3-Phase	Catalog Number ^③	Catalog Number ^③	Catalog Number ^③
Frame J								
40	—	—	—	60A	ECX19J1AAA-	ECX19J4AAA-	ECX19J8AAA-	XTAE040D00A
	115	3	—		ECX19J1AAE-	ECX19J4AAE-	ECX19J8AAE-	XTAE040D00A
	208	5	10		ECX19J1EAE-	ECX19J4EAE-	ECX19J8EAE-	XTAE040D00E
	230	7-1/2	15		ECX19J1BAE-	ECX19J4BAE-	ECX19J8BAE-	XTAE040D00B
	380	—	15		ECX19J1LAE-	ECX19J4LAE-	ECX19J8LAE-	XTAE040D00L
	460	—	30		ECX19J1CAE-	ECX19J4CAE-	ECX19J8CAE-	XTAE040D00C
	575	—	40		ECX19J1DAE-	ECX19J4DAE-	ECX19J8DAE-	XTAE040D00D
Frame K								
50	—	—	—	100A	ECX19K1AAA-	ECX19K4AAA-	ECX19K8AAA-	XTAE050D00A
	115	3	—		ECX19K1AAG-	ECX19K4AAG-	ECX19K8AAG-	XTAE050D00A
	208	7-1/2	15		ECX19K1EAG-	ECX19K4EAG-	ECX19K8EAG-	XTAE050D00E
	230	10	20		ECX19K1BAG-	ECX19K4BAG-	ECX19K8BAG-	XTAE050D00B
	380	—	20		ECX19K1LAG-	ECX19K4LAG-	ECX19K8LAG-	XTAE050D00L
	460	—	40		ECX19K1CAG-	ECX19K4CAG-	ECX19K8CAG-	XTAE050D00C
	575	—	50		ECX19K1DAG-	ECX19K4DAG-	ECX19K8DAG-	XTAE050D00D
Frame L								
65	—	—	—	100A	ECX19L1AAA-	ECX19L4AAA-	ECX19L8AAA-	XTAE065D00A
	115	5	—		ECX19L1AAG-	ECX19L4AAG-	ECX19L8AAG-	XTAE065D00A
	208	10	20		ECX19L1EAG-	ECX19L4EAG-	ECX19L8EAG-	XTAE065D00E
	230	15	25		ECX19L1BAG-	ECX19L4BAG-	ECX19L8BAG-	XTAE065D00B
	380	—	30		ECX19L1LAG-	ECX19L4LAG-	ECX19L8LAG-	XTAE065D00L
	460	—	50		ECX19L1CAG-	ECX19L4CAG-	ECX19L8CAG-	XTAE065D00C
	575	—	60		ECX19L1DAG-	ECX19L4DAG-	ECX19L8DAG-	XTAE065D00D
Frame M								
80	—	—	—	100A	ECX19M1AAA-	ECX19M4AAA-	ECX19M8AAA-	XTAE080F00A
	115	7-1/2	—		ECX19M1AAG-	ECX19M4AAG-	ECX19M8AAG-	XTAE080F00A
	208	15	25		ECX19M1EAG-	ECX19M4EAG-	ECX19M8EAG-	XTAE080F00E
	230	15	30		ECX19M1BAG-	ECX19M4BAG-	ECX19M8BAG-	XTAE080F00B
	380	—	50		ECX19M1LAG-	ECX19M4LAG-	ECX19M8LAG-	XTAE080F00L
	460	—	60		ECX19M1CAG-	ECX19M4CAG-	ECX19M8CAG-	XTAE080F00C
	575	—	75		ECX19M1DAG-	ECX19M4DAG-	ECX19M8DAG-	XTAE080F00D
Frame N ^⑥								
95	—	—	—	⑥	ECX19N1AAA-	ECX19N4AAA-	ECX19N8AAA-	XTAE095F00A
	115	7-1/2	—		ECX19N1AAG-	ECX19N4AAG-	ECX19N8AAG-	XTAE095F00A
	208	15	25		ECX19N1EAG-	ECX19N4EAG-	ECX19N8EAG-	XTAE095F00E
	230	15	40		ECX19N1BAA-	ECX19N4BAA-	ECX19N8BAA-	XTAE095F00B
	380	—	60		ECX19N1LAA-	ECX19N4LAA-	ECX19N8LAA-	XTAE095F00L
	460	—	75		ECX19N1CAA-	ECX19N4CAA-	ECX19N8CAA-	XTAE095F00C
	575	—	100		ECX19N1DAA-	ECX19N4DAA-	ECX19N8DAA-	XTAE095F00D
Frame P ^⑥								
105	—	—	—	⑥	ECX19P1AAA-	ECX19P4AAA-	ECX19P8AAA-	XTAE115G00A
	115	10	—		ECX19P1AAG-	ECX19P4AAG-	ECX19P8AAG-	XTAE115G00A
	208	25	30		ECX19P1EAG-	ECX19P4EAG-	ECX19P8EAG-	XTAE115G00E
	230	25	40		ECX19P1BAA-	ECX19P4BAA-	ECX19P8BAA-	XTAE115G00B
	380	—	60		ECX19P1LAA-	ECX19P4LAA-	ECX19P8LAA-	XTAE115G00L
	460	—	75		ECX19P1CAA-	ECX19P4CAA-	ECX19P8CAA-	XTAE115G00C
	575	—	100		ECX19P1DAA-	ECX19P4DAA-	ECX19P8DAA-	XTAE115G00D

① 1 hp = 0.746 kW.

② Voltage is listed @ 60 Hz unless otherwise noted. Other voltages available upon request.

③ Select proper "XTOB" Overload Amperage range as per motor FLA, see Table 4-2.

④ These are the Catalog Numbers for Type 4X 304-Grade Stainless Steel, as indicated by the seventh digit 4. Example: ECX19B4AAA-. To order Type 4X 316-Grade Stainless Steel, change that digit to 9. To order Type 4 Painted Steel, change that digit to 3. To order Nonmetallic, change that digit to 5. For details on these Alternate Enclosures, see Tab 14.

⑤ Contact factory for other voltage options.

⑥ Non-fused Disconnect only.

Cover Control Page 4-4
 Wiring Diagrams Page 4-20
 Dimensions Page 15-5
 Accessories Page 16-23
 Modification Codes Page 16-40
 Technical Data Page 18-19

Contactors and Starters

Table 4-10. Class ECX20 — Combination Reversing Starter — Fusible/Non-fusible Disconnect

Amps	Maximum hp ^①			Coil Voltage @ 60 Hz ^②	Fuse Clips	Type 1/IP23	Type 4X/IP66 ^④	Type 12/IP65	Component
	Motor Voltage ^⑤	1-Phase	3-Phase			Catalog Number ^③	Catalog Number ^③	Catalog Number ^③	Catalog Number ^③
Frame B									
7	—	—	—	—	30A	ECX20B1AAA_	ECX20B4AAA_	ECX20B8AAA_	XTAR007B10A_
	115	1/4	—	120		ECX20B1AAC_	ECX20B4AAC_	ECX20B8AAC_	XTAR007B10A_
	208	3/4	1-1/2	208		ECX20B1EAC_	ECX20B4EAC_	ECX20B8EAC_	XTAR007B10E_
	230	1	2	240		ECX20B1BAC_	ECX20B4BAC_	ECX20B8BAC_	XTAR007B10B_
	380	—	3	380/50 Hz		ECX20B1LAC_	ECX20B4LAC_	ECX20B8LAC_	XTAR007B10L_
	460	—	3	480		ECX20B1CAC_	ECX20B4CAC_	ECX20B8CAC_	XTAR007B10C_
	575	—	5	600		ECX20B1DAC_	ECX20B4DAC_	ECX20B8DAC_	XTAR007B10D_
Frame C									
9	—	—	—	—	30A	ECX20C1AAA_	ECX20C4AAA_	ECX20C8AAA_	XTAR009B10A_
	115	1/2	—	120		ECX20C1AAC_	ECX20C4AAC_	ECX20C8AAC_	XTAR009B10A_
	208	1	2	208		ECX20C1EAC_	ECX20C4EAC_	ECX20C8EAC_	XTAR009B10E_
	230	1-1/2	3	240		ECX20C1BAC_	ECX20C4BAC_	ECX20C8BAC_	XTAR009B10B_
	380	—	5	380/50 Hz		ECX20C1LAC_	ECX20C4LAC_	ECX20C8LAC_	XTAR009B10L_
	460	—	5	480		ECX20C1CAC_	ECX20C4CAC_	ECX20C8CAC_	XTAR009B10C_
	575	—	7-1/2	600		ECX20C1DAC_	ECX20C4DAC_	ECX20C8DAC_	XTAR009B10D_
Frame D									
12	—	—	—	—	30A	ECX20D1AAA_	ECX20D4AAA_	ECX20D8AAA_	XTAR012B10A_
	115	1/2	—	120		ECX20D1AAC_	ECX20D4AAC_	ECX20D8AAC_	XTAR012B10A_
	208	1-1/2	3	208		ECX20D1EAC_	ECX20D4EAC_	ECX20D8EAC_	XTAR012B10E_
	230	2	3	240		ECX20D1BAC_	ECX20D4BAC_	ECX20D8BAC_	XTAR012B10B_
	380	—	5	380/50 Hz		ECX20D1LAC_	ECX20D4LAC_	ECX20D8LAC_	XTAR012B10L_
	460	—	7-1/2	480		ECX20D1CAC_	ECX20D4CAC_	ECX20D8CAC_	XTAR012B10C_
	575	—	10	600		ECX20D1DAC_	ECX20D4DAC_	ECX20D8DAC_	XTAR012B10D_
Frame E									
15	—	—	—	—	30A	ECX20E1AAA_	ECX20E4AAA_	ECX20E8AAA_	XTAR015B10A_
	115	3/4	—	120		ECX20E1AAC_	ECX20E4AAC_	ECX20E8AAC_	XTAR015B10A_
	208	2	3	208		ECX20E1EAC_	ECX20E4EAC_	ECX20E8EAC_	XTAR015B10E_
	230	2	3	240		ECX20E1BAC_	ECX20E4BAC_	ECX20E8BAC_	XTAR015B10B_
	380	—	5	380/50 Hz		ECX20E1LAC_	ECX20E4LAC_	ECX20E8LAC_	XTAR015B10L_
	460	—	7-1/2	480		ECX20E1CAC_	ECX20E4CAC_	ECX20E8CAC_	XTAR015B10C_
	575	—	10	600		ECX20E1DAC_	ECX20E4DAC_	ECX20E8DAC_	XTAR015B10D_
Frame F									
18	—	—	—	—	30A	ECX20F1AAA_	ECX20F4AAA_	ECX20F8AAA_	XTAR018C10A_
	115	2	—	120		ECX20F1AAC_	ECX20F4AAC_	ECX20F8AAC_	XTAR018C10A_
	208	2	5	208		ECX20F1EAC_	ECX20F4EAC_	ECX20F8EAC_	XTAR018C10E_
	230	3	5	240		ECX20F1BAC_	ECX20F4BAC_	ECX20F8BAC_	XTAR018C10B_
	380	—	7-1/2	380/50 Hz		ECX20F1LAC_	ECX20F4LAC_	ECX20F8LAC_	XTAR018C10L_
	460	—	10	480		ECX20F1CAC_	ECX20F4CAC_	ECX20F8CAC_	XTAR018C10C_
	575	—	15	600		ECX20F1DAC_	ECX20F4DAC_	ECX20F8DAC_	XTAR018C10D_
Frame G									
25	—	—	—	—	30A	ECX20G1AAA_	ECX20G4AAA_	ECX20G8AAA_	XTAR025C10A_
	115	2	—	120		ECX20G1AAC_	ECX20G4AAC_	ECX20G8AAC_	XTAR025C10A_
	208	3	7-1/2	208		ECX20G1EAC_	ECX20G4EAC_	ECX20G8EAC_	XTAR025C10E_
	230	5	7-1/2	240		ECX20G1BAC_	ECX20G4BAC_	ECX20G8BAC_	XTAR025C10B_
	380	—	10	380/50 Hz		ECX20G1LAC_	ECX20G4LAC_	ECX20G8LAC_	XTAR025C10L_
	460	—	15	480		ECX20G1CAC_	ECX20G4CAC_	ECX20G8CAC_	XTAR025C10C_
	575	—	10	600		ECX20G1DAC_	ECX20G4DAC_	ECX20G8DAC_	XTAR025C10D_
Frame H									
32	—	—	—	—	60A	ECX20H1AAA_	ECX20H4AAA_	ECX20H8AAA_	XTAR032C10A_
	115	3	—	120		ECX20H1AAE_	ECX20H4AAE_	ECX20H8AAE_	XTAR032C10A_
	208	5	10	208		ECX20H1EAE_	ECX20H4EAE_	ECX20H8EAE_	XTAR032C10E_
	230	5	10	240		ECX20H1BAE_	ECX20H4BAE_	ECX20H8BAE_	XTAR032C10B_
	380	—	15	380/50 Hz		ECX20H1LAE_	ECX20H4LAE_	ECX20H8LAE_	XTAR032C10L_
	460	—	20	480		ECX20H1CAE_	ECX20H4CAE_	ECX20H8CAE_	XTAR032C10C_
	575	—	25	600		ECX20H1DAE_	ECX20H4DAE_	ECX20H8DAE_	XTAR032C10D_

① 1 hp = 0.746 kW.
 ② Voltage is listed @ 60 Hz unless otherwise noted. Other voltages available upon request.
 ③ Select proper "XTOB" Overload Amperage range as per motor FLA, see **Table 4-2**.
 ④ These are the Catalog Numbers for Type 4X 304-Grade Stainless Steel, as indicated by the seventh digit **4**. Example: ECX20B**4**AAA_-. To order Type 4X 316-Grade Stainless Steel, change that digit to **9**. To order Type 4 Painted Steel, change that digit to **3**. To order Nonmetallic, change that digit to **5**. For details on these Alternate Enclosures, see **Tab 14**.
 ⑤ Contact factory for other voltage options.

Cover Control **Page 4-4**
 Wiring Diagrams **Page 4-20**
 Dimensions **Page 15-5**
 Accessories **Page 16-23**
 Modification Codes **Page 16-40**
 Technical Data **Page 18-19**

4

Table 4-10. Class ECX20 — Combination Reversing Starter — Fusible/Non-fusible Disconnect (Continued)

Amps	Maximum hp ^①			Coil Voltage @ 60 Hz ^②	Fuse Clips	Type 1/IP23	Type 4X/IP66 ^④	Type 12/IP65	Component
	Motor Voltage ^⑤	1-Phase	3-Phase			Catalog Number ^③	Catalog Number ^③	Catalog Number ^③	Catalog Number ^③
Frame J									
40	—	—	—	—	60A	ECX20J1AAA-	ECX20J4AAA-	ECX20J8AAA-	XTAR040D00A
	115	3	—	120		ECX20J1AAE-	ECX20J4AAE-	ECX20J8AAE-	XTAR040D00A
	208	5	10	208		ECX20J1EAE-	ECX20J4EAE-	ECX20J8EAE-	XTAR040D00E
	230	7-1/2	15	240		ECX20J1BAE-	ECX20J4BAE-	ECX20J8BAE-	XTAR040D00B
	380	—	15	380/50 Hz		ECX20J1LAE-	ECX20J4LAE-	ECX20J8LAE-	XTAR040D00L
	460	—	30	480		ECX20J1CAE-	ECX20J4CAE-	ECX20J8CAE-	XTAR040D00C
	575	—	40	600		ECX20J1DAE-	ECX20J4DAE-	ECX20J8DAE-	XTAR040D00D
Frame K									
50	—	—	—	—	100A	ECX20K1AAA-	ECX20K4AAA-	ECX20K8AAA-	XTAR050D00A
	115	3	—	120		ECX20K1AAG-	ECX20K4AAG-	ECX20K8AAG-	XTAR050D00A
	208	7-1/2	15	208		ECX20K1EAG-	ECX20K4EAG-	ECX20K8EAG-	XTAR050D00E
	230	10	20	240		ECX20K1BAG-	ECX20K4BAG-	ECX20K8BAG-	XTAR050D00B
	380	—	20	380/50 Hz		ECX20K1LAG-	ECX20K4LAG-	ECX20K8LAG-	XTAR050D00L
	460	—	40	480		ECX20K1CAG-	ECX20K4CAG-	ECX20K8CAG-	XTAR050D00C
	575	—	50	600		ECX20K1DAG-	ECX20K4DAG-	ECX20K8DAG-	XTAR050D00D
Frame L									
65	—	—	—	—	100A	ECX20L1AAA-	ECX20L4AAA-	ECX20L8AAA-	XTAR065D00A
	115	5	—	120		ECX20L1AAG-	ECX20L4AAG-	ECX20L8AAG-	XTAR065D00A
	208	10	20	208		ECX20L1EAG-	ECX20L4EAG-	ECX20L8EAG-	XTAR065D00E
	230	15	25	240		ECX20L1BAG-	ECX20L4BAG-	ECX20L8BAG-	XTAR065D00B
	380	—	30	380/50 Hz		ECX20L1LAG-	ECX20L4LAG-	ECX20L8LAG-	XTAR065D00L
	460	—	50	480		ECX20L1CAG-	ECX20L4CAG-	ECX20L8CAG-	XTAR065D00C
	575	—	60	600		ECX20L1DAG-	ECX20L4DAG-	ECX20L8DAG-	XTAR065D00D
Frame M									
80	—	—	—	—	100A	ECX20M1AAA-	ECX20M4AAA-	ECX20M8AAA-	XTAR080F00A
	115	7-1/2	—	120		ECX20M1AAG-	ECX20M4AAG-	ECX20M8AAG-	XTAR080F00A
	208	15	25	208		ECX20M1EAG-	ECX20M4EAG-	ECX20M8EAG-	XTAR080F00E
	230	15	30	240		ECX20M1BAG-	ECX20M4BAG-	ECX20M8BAG-	XTAR080F00B
	380	—	50	380/50 Hz		ECX20M1LAG-	ECX20M4LAG-	ECX20M8LAG-	XTAR080F00L
	460	—	60	480		ECX20M1CAG-	ECX20M4CAG-	ECX20M8CAG-	XTAR080F00C
	575	—	75	600		ECX20M1DAG-	ECX20M4DAG-	ECX20M8DAG-	XTAR080F00D
Frame N ^⑥									
95	—	—	—	—	⑥	ECX20N1AAA-	ECX20N4AAA-	ECX20N8AAA-	XTAR095F00A
	115	7-1/2	—	120		ECX20N1AAG-	ECX20N4AAG-	ECX20N8AAG-	XTAR095F00A
	208	15	25	208		ECX20N1EAA-	ECX20N4EAA-	ECX20N8EAA-	XTAR095F00E
	230	15	40	240		ECX20N1BAA-	ECX20N4BAA-	ECX20N8BAA-	XTAR095F00B
	380	—	60	380/50 Hz		ECX20N1LAA-	ECX20N4LAA-	ECX20N8LAA-	XTAR095F00L
	460	—	75	480		ECX20N1CAA-	ECX20N4CAA-	ECX20N8CAA-	XTAR095F00C
	575	—	100	600		ECX20N1DAA-	ECX20N4DAA-	ECX20N8DAA-	XTAR095F00D
Frame P ^⑥									
105	—	—	—	—	⑥	ECX20P1AAA-	ECX20P4AAA-	ECX20P8AAA-	XTAR115G00A
	115	10	—	120		ECX20P1AAG-	ECX20P4AAG-	ECX20P8AAG-	XTAR115G00A
	208	25	30	208		ECX20P1EAA-	ECX20P4EAA-	ECX20P8EAA-	XTAR115G00E
	230	25	40	240		ECX20P1BAA-	ECX20P4BAA-	ECX20P8BAA-	XTAR115G00B
	380	—	60	380/50 Hz		ECX20P1LAA-	ECX20P4LAA-	ECX20P8LAA-	XTAR115G00L
	460	—	75	480		ECX20P1CAA-	ECX20P4CAA-	ECX20P8CAA-	XTAR115G00C
	575	—	100	600		ECX20P1DAA-	ECX20P4DAA-	ECX20P8DAA-	XTAR115G00D

① 1 hp = 0.746 kW.

② Voltage is listed @ 60 Hz unless otherwise noted. Other voltages available upon request.

③ Select proper "XTOB" Overload Amperage range as per motor FLA, see Table 4-2.

④ These are the Catalog Numbers for Type 4X 304-Grade Stainless Steel, as indicated by the seventh digit 4. Example: ECX20B4AAA-. To order Type 4X 316-Grade Stainless Steel, change that digit to 9. To order Type 4 Painted Steel, change that digit to 3. To order Nonmetallic, change that digit to 5. For details on these Alternate Enclosures, see Tab 14.

⑤ Contact factory for other voltage options.

⑥ Non-fused Disconnect only.

Cover Control Page 4-4
 Wiring Diagrams Page 4-20
 Dimensions Page 15-5
 Accessories Page 16-23
 Modification Codes Page 16-40
 Technical Data Page 18-19

Contactors and Starters

4

Table 4-11. Class ECX25 — Combination Non-reversing Starter — Circuit Breaker

Amps	Maximum hp ^①			Coil Voltage @ 60 Hz ^②	HMCP	Type 1/IP23	Type 4X/IP66 ^④	Type 12/IP65	Component
	Motor Voltage ^⑤	1-Phase	3-Phase			Catalog Number ^③	Catalog Number ^③	Catalog Number ^③	Catalog Number ^③
Frame B									
7	115	1/4	—	120	7A	ECX25B1AAC_	ECX25B4AAC_	ECX25B8AAC_	XTAE007B10A_
	208	3/4	1-1/2	208		ECX25B1EAC_	ECX25B4EAC_	ECX25B8EAC_	XTAE007B10E_
	230	1	2	240		ECX25B1BAC_	ECX25B4BAC_	ECX25B8BAC_	XTAE007B10B_
	380	—	3	380/50 Hz		ECX25B1LAC_	ECX25B4LAC_	ECX25B8LAC_	XTAE007B10L_
	460	—	3	480		ECX25B1CAC_	ECX25B4CAC_	ECX25B8CAC_	XTAE007B10C_
	575	—	5	600		ECX25B1DAC_	ECX25B4DAC_	ECX25B8DAC_	XTAE007B10D_
Frame C									
9	115	1/2	—	120	15A	ECX25C1AAD_	ECX25C4AAD_	ECX25C8AAD_	XTAE009B10A_
	208	1	2	208		ECX25C1EAD_	ECX25C4EAD_	ECX25C8EAD_	XTAE009B10E_
	230	1-1/2	3	240		ECX25C1BAD_	ECX25C4BAD_	ECX25C8BAD_	XTAE009B10B_
	380	—	5	380/50 Hz		ECX25C1LAD_	ECX25C4LAD_	ECX25C8LAD_	XTAE009B10L_
	460	—	5	480		ECX25C1CAD_	ECX25C4CAD_	ECX25C8CAD_	XTAE009B10C_
	575	—	7-1/2	600		ECX25C1DAD_	ECX25C4DAD_	ECX25C8DAD_	XTAE009B10D_
Frame D									
12	115	1/2	—	120	15A	ECX25D1AAD_	ECX25D4AAD_	ECX25D8AAD_	XTAE012B10A_
	208	1-1/2	3	208		ECX25D1EAD_	ECX25D4EAD_	ECX25D8EAD_	XTAE012B10E_
	230	2	3	240		ECX25D1BAD_	ECX25D4BAD_	ECX25D8BAD_	XTAE012B10B_
	380	—	5	380/50 Hz		ECX25D1LAD_	ECX25D4LAD_	ECX25D8LAD_	XTAE012B10L_
	460	—	7-1/2	480		ECX25D1CAD_	ECX25D4CAD_	ECX25D8CAD_	XTAE012B10C_
	575	—	10	600		ECX25D1DAD_	ECX25D4DAD_	ECX25D8DAD_	XTAE012B10D_
Frame E									
15	115	3/4	—	120	30A	ECX25E1AAE_	ECX25E4AAE_	ECX25E8AAE_	XTAE015B10A_
	208	2	3	208		ECX25E1EAE_	ECX25E4EAE_	ECX25E8EAE_	XTAE015B10E_
	230	2	3	240		ECX25E1BAE_	ECX25E4BAE_	ECX25E8BAE_	XTAE015B10B_
	380	—	5	380/50 Hz		ECX25E1LAE_	ECX25E4LAE_	ECX25E8LAE_	XTAE015B10L_
	460	—	7-1/2	480		ECX25E1CAE_	ECX25E4CAE_	ECX25E8CAE_	XTAE015B10C_
	575	—	10	600		ECX25E1DAE_	ECX25E4DAE_	ECX25E8DAE_	XTAE015B10D_
Frame F									
18	115	2	—	120	30A	ECX25F1AAE_	ECX25F4AAE_	ECX25F8AAE_	XTAE018C10A_
	208	2	5	208		ECX25F1EAE_	ECX25F4EAE_	ECX25F8EAE_	XTAE018C10E_
	230	3	5	240		ECX25F1BAE_	ECX25F4BAE_	ECX25F8BAE_	XTAE018C10B_
	380	—	7-1/2	380/50 Hz		ECX25F1LAE_	ECX25F4LAE_	ECX25F8LAE_	XTAE018C10L_
	460	—	10	480		ECX25F1CAE_	ECX25F4CAE_	ECX25F8CAE_	XTAE018C10C_
	575	—	15	600		ECX25F1DAE_	ECX25F4DAE_	ECX25F8DAE_	XTAE018C10D_
Frame G									
25	115	2	—	120	50A	ECX25G1AAF_	ECX25G4AAF_	ECX25G8AAF_	XTAE025C10A_
	208	3	7-1/2	208		ECX25G1EAF_	ECX25G4EAF_	ECX25G8EAF_	XTAE025C10E_
	230	5	7-1/2	240		ECX25G1BAF_	ECX25G4BAF_	ECX25G8BAF_	XTAE025C10B_
	380	—	10	380/50 Hz		ECX25G1LAF_	ECX25G4LAF_	ECX25G8LAF_	XTAE025C10L_
	460	—	15	480		ECX25G1CAF_	ECX25G4CAF_	ECX25G8CAF_	XTAE025C10C_
	575	—	10	600		ECX25G1DAF_	ECX25G4DAF_	ECX25G8DAF_	XTAE025C10D_
Frame H									
32	115	3	—	120	50A	ECX25H1AAF_	ECX25H4AAF_	ECX25H8AAF_	XTAE032C10A_
	208	5	10	208		ECX25H1EAF_	ECX25H4EAF_	ECX25H8EAF_	XTAE032C10E_
	230	5	10	240		ECX25H1BAF_	ECX25H4BAF_	ECX25H8BAF_	XTAE032C10B_
	380	—	15	380/50 Hz		ECX25H1LAF_	ECX25H4LAF_	ECX25H8LAF_	XTAE032C10L_
	460	—	20	480		ECX25H1CAF_	ECX25H4CAF_	ECX25H8CAF_	XTAE032C10C_
	575	—	25	600		ECX25H1DAF_	ECX25H4DAF_	ECX25H8DAF_	XTAE032C10D_

- ① 1 hp = 0.746 kW.
- ② Voltage is listed @ 60 Hz unless otherwise noted. Other voltages available upon request.
- ③ Select proper "XTOB" Overload Amperage range as per motor FLA, see **Table 4-2**.
- ④ These are the Catalog Numbers for Type 4X 304-Grade Stainless Steel, as indicated by the seventh digit **4**. Example: ECX25B4AAA_-. To order Type 4X 316-Grade Stainless Steel, change that digit to **9**. To order Type 4 Painted Steel, change that digit to **3**. To order Nonmetallic, change that digit to **5**. For details on these Alternate Enclosures, see **Tab 14**.
- ⑤ Contact factory for other voltage options.

Cover Control	Page 4-4
Wiring Diagrams	Page 4-20
Dimensions	Page 15-5
Accessories	Page 16-23
Modification Codes	Page 16-40
Technical Data	Page 18-19

Table 4-11. Class ECX25 — Combination Non-reversing Starter — Circuit Breaker (Continued)

Amps	Maximum hp ^①			Coil Voltage @ 60 Hz ^②	HMCP	Type 1/IP23	Type 4X/IP66 ^④	Type 12/IP65	Component
	Motor Voltage ^⑤	1-Phase	3-Phase			Catalog Number ^③	Catalog Number ^③	Catalog Number ^③	Catalog Number ^③
Frame J									
40	115	3	—	120	50A	ECX25J1AAF_	ECX25J4AAF_	ECX25J8AAF_	XTAE040D00A_
	208	5	10	208		ECX25J1EAF_	ECX25J4EAF_	ECX25J8EAF_	XTAE040D00E_
	230	7-1/2	15	240		ECX25J1BAF_	ECX25J4BAF_	ECX25J8BAF_	XTAE040D00B_
	380	—	15	380/50 Hz		ECX25J1LAF_	ECX25J4LAF_	ECX25J8LAF_	XTAE040D00L_
	460	—	30	480		ECX25J1CAF_	ECX25J4CAF_	ECX25J8CAF_	XTAE040D00C_
	575	—	40	600		ECX25J1DAF_	ECX25J4DAF_	ECX25J8DAF_	XTAE040D00D_
Frame K									
50	115	3	—	120	70A	ECX25K1AAW_	ECX25K4AAW_	ECX25K8AAW_	XTAE050D00A_
	208	7-1/2	15	208		ECX25K1EAW_	ECX25K4EAW_	ECX25K8EAW_	XTAE050D00E_
	230	10	20	240		ECX25K1BAW_	ECX25K4BAW_	ECX25K8BAW_	XTAE050D00B_
	380	—	20	380/50 Hz		ECX25K1LAW_	ECX25K4LAW_	ECX25K8LAW_	XTAE050D00L_
	460	—	40	480		ECX25K1CAW_	ECX25K4CAW_	ECX25K8CAW_	XTAE050D00C_
	575	—	50	600		ECX25K1DAW_	ECX25K4DAW_	ECX25K8DAW_	XTAE050D00D_
Frame L									
65	115	5	—	120	70A	ECX25L1AAW_	ECX25L4AAW_	ECX25L8AAW_	XTAE065D00A_
	208	10	20	208		ECX25L1EAW_	ECX25L4EAW_	ECX25L8EAW_	XTAE065D00E_
	230	15	25	240		ECX25L1BAW_	ECX25L4BAW_	ECX25L8BAW_	XTAE065D00B_
	380	—	30	380/50 Hz		ECX25L1LAW_	ECX25L4LAW_	ECX25L8LAW_	XTAE065D00L_
	460	—	50	480		ECX25L1CAW_	ECX25L4CAW_	ECX25L8CAW_	XTAE065D00C_
	575	—	60	600		ECX25L1DAW_	ECX25L4DAW_	ECX25L8DAW_	XTAE065D00D_
Frame M									
80	115	7-1/2	—	120	100A	ECX25M1AAG_	ECX25M4AAG_	ECX25M8AAG_	XTAE080F00A_
	208	15	25	208		ECX25M1EAG_	ECX25M4EAG_	ECX25M8EAG_	XTAE080F00E_
	230	15	30	240		ECX25M1BAG_	ECX25M4BAG_	ECX25M8BAG_	XTAE080F00B_
	380	—	50	380/50 Hz		ECX25M1LAG_	ECX25M4LAG_	ECX25M8LAG_	XTAE080F00L_
	460	—	60	480		ECX25M1CAG_	ECX25M4CAG_	ECX25M8CAG_	XTAE080F00C_
	575	—	75	600		ECX25M1DAG_	ECX25M4DAG_	ECX25M8DAG_	XTAE080F00D_
Frame N									
95	115	7-1/2	—	120	100A	ECX25N1AAG_	ECX25N4AAG_	ECX25N8AAG_	XTAE095F00A_
	208	15	25	208		ECX25N1EAG_	ECX25N4EAG_	ECX25N8EAG_	XTAE095F00E_
	230	15	40	240		ECX25N1BAG_	ECX25N4BAG_	ECX25N8BAG_	XTAE095F00B_
	380	—	60	380/50 Hz		ECX25N1LAG_	ECX25N4LAG_	ECX25N8LAG_	XTAE095F00L_
	460	—	75	480		ECX25N1CAG_	ECX25N4CAG_	ECX25N8CAG_	XTAE095F00C_
	575	—	100	600		ECX25N1DAG_	ECX25N4DAG_	ECX25N8DAG_	XTAE095F00D_
Frame P									
115	115	10	—	120	150A	ECX25P1AAH_	ECX25P4AAH_	ECX25P8AAH_	XTAE115G00A_
	208	25	40	208		ECX25P1EAH_	ECX25P4EAH_	ECX25P8EAH_	XTAE115G00E_
	230	25	50	240		ECX25P1BAH_	ECX25P4BAH_	ECX25P8BAH_	XTAE115G00B_
	380	—	60	380/50 Hz		ECX25P1LAH_	ECX25P4LAH_	ECX25P8LAH_	XTAE115G00L_
	460	—	100	480		ECX25P1CAH_	ECX25P4CAH_	ECX25P8CAH_	XTAE115G00C_
	575	—	125	600		ECX25P1DAH_	ECX25P4DAH_	ECX25P8DAH_	XTAE115G00D_
Frame Q									
125	115	15	—	120	150A	ECX25Q1AAH_	ECX25Q4AAH_	ECX25Q8AAH_	XTAE150G00A_
	208	25	40	208		ECX25Q1EAH_	ECX25Q4EAH_	ECX25Q8EAH_	XTAE150G00E_
	230	25	50	240		ECX25Q1BAH_	ECX25Q4BAH_	ECX25Q8BAH_	XTAE150G00B_
	380	—	75	380/50 Hz		ECX25Q1LAH_	ECX25Q4LAH_	ECX25Q8LAH_	XTAE150G00L_
	460	—	100	480		ECX25Q1CAH_	ECX25Q4CAH_	ECX25Q8CAH_	XTAE150G00C_
	575	—	125	600		ECX25Q1DAH_	ECX25Q4DAH_	ECX25Q8DAH_	XTAE150G00D_

① 1 hp = 0.746 kW.

② Voltage is listed @ 60 Hz unless otherwise noted. Other voltages available upon request.

③ Select proper "XTOB" Overload Amperage range as per motor FLA, see Table 4-2.

④ These are the Catalog Numbers for Type 4X 304-Grade Stainless Steel, as indicated by the seventh digit 4. Example: ECX25B4AAA_-. To order Type 4X 316-Grade Stainless Steel, change that digit to 9. To order Type 4 Painted Steel, change that digit to 3. To order Nonmetallic, change that digit to 5. For details on these Alternate Enclosures, see Tab 14.

⑤ Contact factory for other voltage options.

Cover Control Page 4-4
 Wiring Diagrams Page 4-20
 Dimensions Page 15-5
 Accessories Page 16-23
 Modification Codes Page 16-40
 Technical Data Page 18-19

Contactors and Starters

Table 4-12. Class ECX26 — Combination Reversing Starter — Circuit Breaker

Amps	Maximum hp ^①			Coil Voltage @ 60 Hz ^②	HMCP	Type 1/IP23	Type 4X/IP66 ^④	Type 12/IP65	Component
	Motor Voltage ^⑤	1-Phase	3-Phase			Catalog Number ^③	Catalog Number ^③	Catalog Number ^③	Catalog Number ^③
Frame B									
7	115	1/4	—	120	7A	ECX26B1AAC_	ECX26B4AAC_	ECX26B8AAC_	XTAR007B10A_
	208	3/4	1-1/2	208		ECX26B1EAC_	ECX26B4EAC_	ECX26B8EAC_	XTAR007B10E_
	230	1	2	240		ECX26B1BAC_	ECX26B4BAC_	ECX26B8BAC_	XTAR007B10B_
	380	—	3	380/50 Hz		ECX26B1LAC_	ECX26B4LAC_	ECX26B8LAC_	XTAR007B10L_
	460	—	3	480		ECX26B1CAC_	ECX26B4CAC_	ECX26B8CAC_	XTAR007B10C_
	575	—	5	600		ECX26B1DAC_	ECX26B4DAC_	ECX26B8DAC_	XTAR007B10D_
Frame C									
9	115	1/2	—	120	15A	ECX26C1AAD_	ECX26C4AAD_	ECX26C8AAD_	XTAR009B10A_
	208	1	2	208		ECX26C1EAD_	ECX26C4EAD_	ECX26C8EAD_	XTAR009B10E_
	230	1-1/2	3	240		ECX26C1BAD_	ECX26C4BAD_	ECX26C8BAD_	XTAR009B10B_
	380	—	5	380/50 Hz		ECX26C1LAD_	ECX26C4LAD_	ECX26C8LAD_	XTAR009B10L_
	460	—	5	480		ECX26C1CAD_	ECX26C4CAD_	ECX26C8CAD_	XTAR009B10C_
	575	—	7-1/2	600		ECX26C1DAD_	ECX26C4DAD_	ECX26C8DAD_	XTAR009B10D_
Frame D									
12	115	1/2	—	120	15A	ECX26D1AAD_	ECX26D4AAD_	ECX26D8AAD_	XTAR012B10A_
	208	1-1/2	3	208		ECX26D1EAD_	ECX26D4EAD_	ECX26D8EAD_	XTAR012B10E_
	230	2	3	240		ECX26D1BAD_	ECX26D4BAD_	ECX26D8BAD_	XTAR012B10B_
	380	—	5	380/50 Hz		ECX26D1LAD_	ECX26D4LAD_	ECX26D8LAD_	XTAR012B10L_
	460	—	7-1/2	480		ECX26D1CAD_	ECX26D4CAD_	ECX26D8CAD_	XTAR012B10C_
	575	—	10	600		ECX26D1DAD_	ECX26D4DAD_	ECX26D8DAD_	XTAR012B10D_
Frame E									
15	115	3/4	—	120	30A	ECX26E1AAE_	ECX26E4AAE_	ECX26E8AAE_	XTAR015B10A_
	208	2	3	208		ECX26E1EAE_	ECX26E4EAE_	ECX26E8EAE_	XTAR015B10E_
	230	2	3	240		ECX26E1BAE_	ECX26E4BAE_	ECX26E8BAE_	XTAR015B10B_
	380	—	5	380/50 Hz		ECX26E1LAE_	ECX26E4LAE_	ECX26E8LAE_	XTAR015B10L_
	460	—	7-1/2	480		ECX26E1CAE_	ECX26E4CAE_	ECX26E8CAE_	XTAR015B10C_
	575	—	10	600		ECX26E1DAE_	ECX26E4DAE_	ECX26E8DAE_	XTAR015B10D_
Frame F									
18	115	2	—	120	30A	ECX26F1AAE_	ECX26F4AAE_	ECX26F8AAE_	XTAR018C10A_
	208	2	5	208		ECX26F1EAE_	ECX26F4EAE_	ECX26F8EAE_	XTAR018C10E_
	230	3	5	240		ECX26F1BAE_	ECX26F4BAE_	ECX26F8BAE_	XTAR018C10B_
	380	—	7-1/2	380/50 Hz		ECX26F1LAE_	ECX26F4LAE_	ECX26F8LAE_	XTAR018C10L_
	460	—	10	480		ECX26F1CAE_	ECX26F4CAE_	ECX26F8CAE_	XTAR018C10C_
	575	—	15	600		ECX26F1DAE_	ECX26F4DAE_	ECX26F8DAE_	XTAR018C10D_
Frame G									
25	115	2	—	120	50A	ECX26G1AAF_	ECX26G4AAF_	ECX26G8AAF_	XTAR025C10A_
	208	3	7-1/2	208		ECX26G1EAF_	ECX26G4EAF_	ECX26G8EAF_	XTAR025C10E_
	230	5	7-1/2	240		ECX26G1BAF_	ECX26G4BAF_	ECX26G8BAF_	XTAR025C10B_
	380	—	10	380/50 Hz		ECX26G1LAF_	ECX26G4LAF_	ECX26G8LAF_	XTAR025C10L_
	460	—	15	480		ECX26G1CAF_	ECX26G4CAF_	ECX26G8CAF_	XTAR025C10C_
	575	—	10	600		ECX26G1DAF_	ECX26G4DAF_	ECX26G8DAF_	XTAR025C10D_
Frame H									
32	115	3	—	120	50A	ECX26H1AAF_	ECX26H4AAF_	ECX26H8AAF_	XTAR032C10A_
	208	5	10	208		ECX26H1EAF_	ECX26H4EAF_	ECX26H8EAF_	XTAR032C10E_
	230	5	10	240		ECX26H1BAF_	ECX26H4BAF_	ECX26H8BAF_	XTAR032C10B_
	380	—	15	380/50 Hz		ECX26H1LAF_	ECX26H4LAF_	ECX26H8LAF_	XTAR032C10L_
	460	—	20	480		ECX26H1CAF_	ECX26H4CAF_	ECX26H8CAF_	XTAR032C10C_
	575	—	25	600		ECX26H1DAF_	ECX26H4DAF_	ECX26H8DAF_	XTAR032C10D_

① 1 hp = 0.746 kW.
 ② Voltage is listed @ 60 Hz unless otherwise noted. Other voltages available upon request.
 ③ Select proper "XTOB" Overload Amperage range as per motor FLA, see **Table 4-2**.
 ④ These are the Catalog Numbers for Type 4X 304-Grade Stainless Steel, as indicated by the seventh digit **4**. Example: ECX26B4AAA_-. To order Type 4X 316-Grade Stainless Steel, change that digit to **9**. To order Type 4 Painted Steel, change that digit to **3**. To order Nonmetallic, change that digit to **5**. For details on these Alternate Enclosures, see **Tab 14**.
 ⑤ Contact factory for other voltage options.

Cover Control **Page 4-4**
 Wiring Diagrams **Page 4-20**
 Dimensions **Page 15-5**
 Accessories **Page 16-23**
 Modification Codes **Page 16-40**
 Technical Data **Page 18-19**

4

Table 4-12. Class ECX26 — Combination Reversing Starter — Circuit Breaker (Continued)

Amps	Maximum hp ^①			Coil Voltage @ 60 Hz ^②	HMCP	Type 1/IP23	Type 4X/IP66 ^④	Type 12/IP65	Component
	Motor Voltage ^⑤	1-Phase	3-Phase			Catalog Number ^③	Catalog Number ^③	Catalog Number ^③	Catalog Number ^③
Frame J									
40	115	3	—	120	50A	ECX26J1AAF-	ECX26J4AAF-	ECX26J8AAF-	XTAR040D00A
	208	5	10	208		ECX26J1EAF-	ECX26J4EAF-	ECX26J8EAF-	XTAR040D00E
	230	7-1/2	15	240		ECX26J1BAF-	ECX26J4BAF-	ECX26J8BAF-	XTAR040D00B
	380	—	15	380/50 Hz		ECX26J1LAF-	ECX26J4LAF-	ECX26J8LAF-	XTAR040D00L
	460	—	30	480		ECX26J1CAF-	ECX26J4CAF-	ECX26J8CAF-	XTAR040D00C
	575	—	40	600		ECX26J1DAF-	ECX26J4DAF-	ECX26J8DAF-	XTAR040D00D
Frame K									
50	115	3	—	120	70A	ECX26K1AAW-	ECX26K4AAW-	ECX26K8AAW-	XTAR050D00A
	208	7-1/2	15	208		ECX26K1EAW-	ECX26K4EAW-	ECX26K8EAW-	XTAR050D00E
	230	10	20	240		ECX26K1BAW-	ECX26K4BAW-	ECX26K8BAW-	XTAR050D00B
	380	—	20	380/50 Hz		ECX26K1LAW-	ECX26K4LAW-	ECX26K8LAW-	XTAR050D00L
	460	—	40	480		ECX26K1CAW-	ECX26K4CAW-	ECX26K8CAW-	XTAR050D00C
	575	—	50	600		ECX26K1DAW-	ECX26K4DAW-	ECX26K8DAW-	XTAR050D00D
Frame L									
65	115	5	—	120	100A	ECX26L1AAW-	ECX26L4AAW-	ECX26L8AAW-	XTAR065D00A
	208	10	20	208		ECX26L1EAW-	ECX26L4EAW-	ECX26L8EAW-	XTAR065D00E
	230	15	25	240		ECX26L1BAW-	ECX26L4BAW-	ECX26L8BAW-	XTAR065D00B
	380	—	30	380/50 Hz		ECX26L1LAW-	ECX26L4LAW-	ECX26L8LAW-	XTAR065D00L
	460	—	50	480		ECX26L1CAW-	ECX26L4CAW-	ECX26L8CAW-	XTAR065D00C
	575	—	60	600		ECX26L1DAW-	ECX26L4DAW-	ECX26L8DAW-	XTAR065D00D
Frame M									
80	115	7-1/2	—	120	100A	ECX26M1AAG-	ECX26M4AAG-	ECX26M8AAG-	XTAR080F00A
	208	15	25	208		ECX26M1EAG-	ECX26M4EAG-	ECX26M8EAG-	XTAR080F00E
	230	15	30	240		ECX26M1BAG-	ECX26M4BAG-	ECX26M8BAG-	XTAR080F00B
	380	—	50	380/50 Hz		ECX26M1LAG-	ECX26M4LAG-	ECX26M8LAG-	XTAR080F00L
	460	—	60	480		ECX26M1CAG-	ECX26M4CAG-	ECX26M8CAG-	XTAR080F00C
	575	—	75	600		ECX26M1DAG-	ECX26M4DAG-	ECX26M8DAG-	XTAR080F00D
Frame N									
95	115	7-1/2	—	120	100A	ECX26N1AAG-	ECX26N4AAG-	ECX26N8AAG-	XTAR095F00A
	208	15	25	208		ECX26N1EAG-	ECX26N4EAG-	ECX26N8EAG-	XTAR095F00E
	230	15	40	240		ECX26N1BAG-	ECX26N4BAG-	ECX26N8BAG-	XTAR095F00B
	380	—	60	380/50 Hz		ECX26N1LAG-	ECX26N4LAG-	ECX26N8LAG-	XTAR095F00L
	460	—	75	480		ECX26N1CAG-	ECX26N4CAG-	ECX26N8CAG-	XTAR095F00C
	575	—	100	600		ECX26N1DAG-	ECX26N4DAG-	ECX26N8DAG-	XTAR095F00D
Frame P									
115	115	10	—	120	150A	ECX26P1AAH-	ECX26P4AAH-	ECX26P8AAH-	XTAR115G00A
	208	25	40	208		ECX26P1EAH-	ECX26P4EAH-	ECX26P8EAH-	XTAR115G00E
	230	25	50	240		ECX26P1BAH-	ECX26P4BAH-	ECX26P8BAH-	XTAR115G00B
	380	—	60	380/50 Hz		ECX26P1LAH-	ECX26P4LAH-	ECX26P8LAH-	XTAR115G00L
	460	—	100	480		ECX26P1CAH-	ECX26P4CAH-	ECX26P8CAH-	XTAR115G00C
	575	—	125	600		ECX26P1DAH-	ECX26P4DAH-	ECX26P8DAH-	XTAR115G00D

① 1 hp = 0.746 kW.

② Voltage is listed @ 60 Hz unless otherwise noted. Other voltages available upon request.

③ Select proper "XTOB" Overload Amperage range as per motor FLA, see Table 4-2.

④ These are the Catalog Numbers for Type 4X 304-Grade Stainless Steel, as indicated by the seventh digit 4. Example: ECX26B4AAA-. To order Type 4X 316-Grade Stainless Steel, change that digit to 9. To order Type 4 Painted Steel, change that digit to 3. To order Nonmetallic, change that digit to 5. For details on these Alternate Enclosures, see Tab 14.

⑤ Contact factory for other voltage options.

Cover Control Page 4-4
 Wiring Diagrams Page 4-20
 Dimensions Page 15-5
 Accessories Page 16-23
 Modification Codes Page 16-40
 Technical Data Page 18-19

Wiring Diagrams

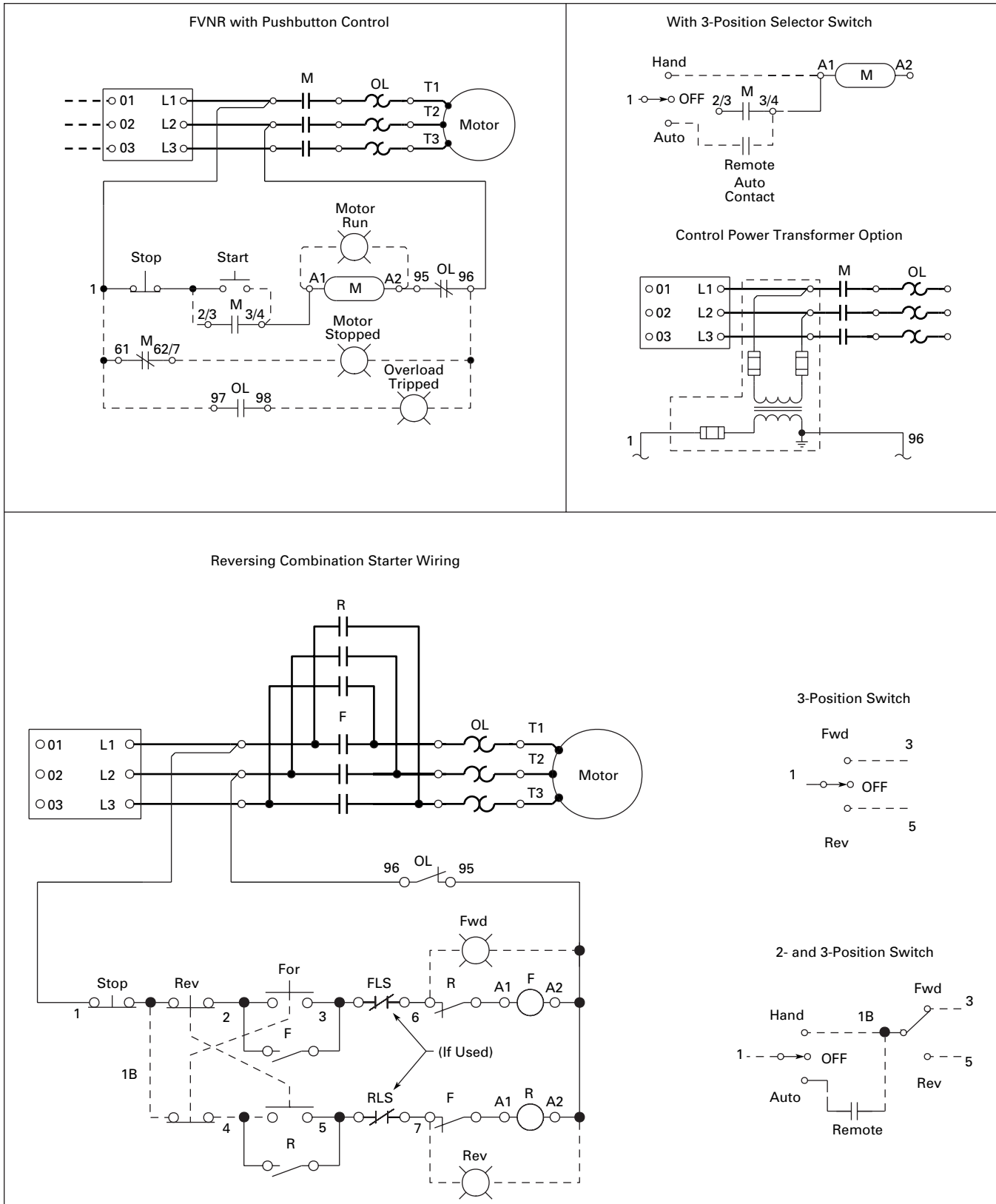


Figure 4-1. Typical Wiring Diagram

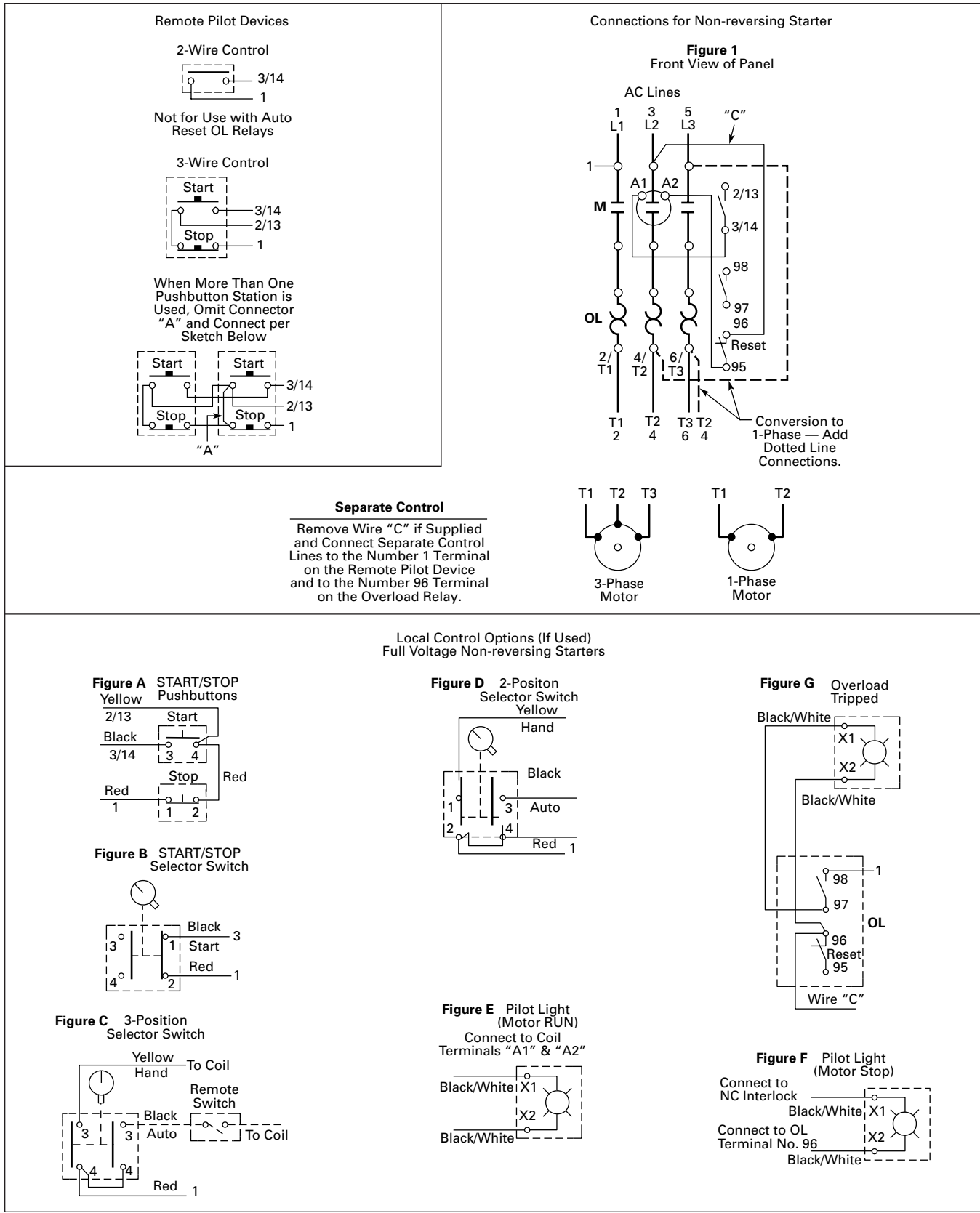


Figure 4-2. Typical Wiring Diagram — Non-combination Starters (Non-reversing)

Contactors and Starters

4

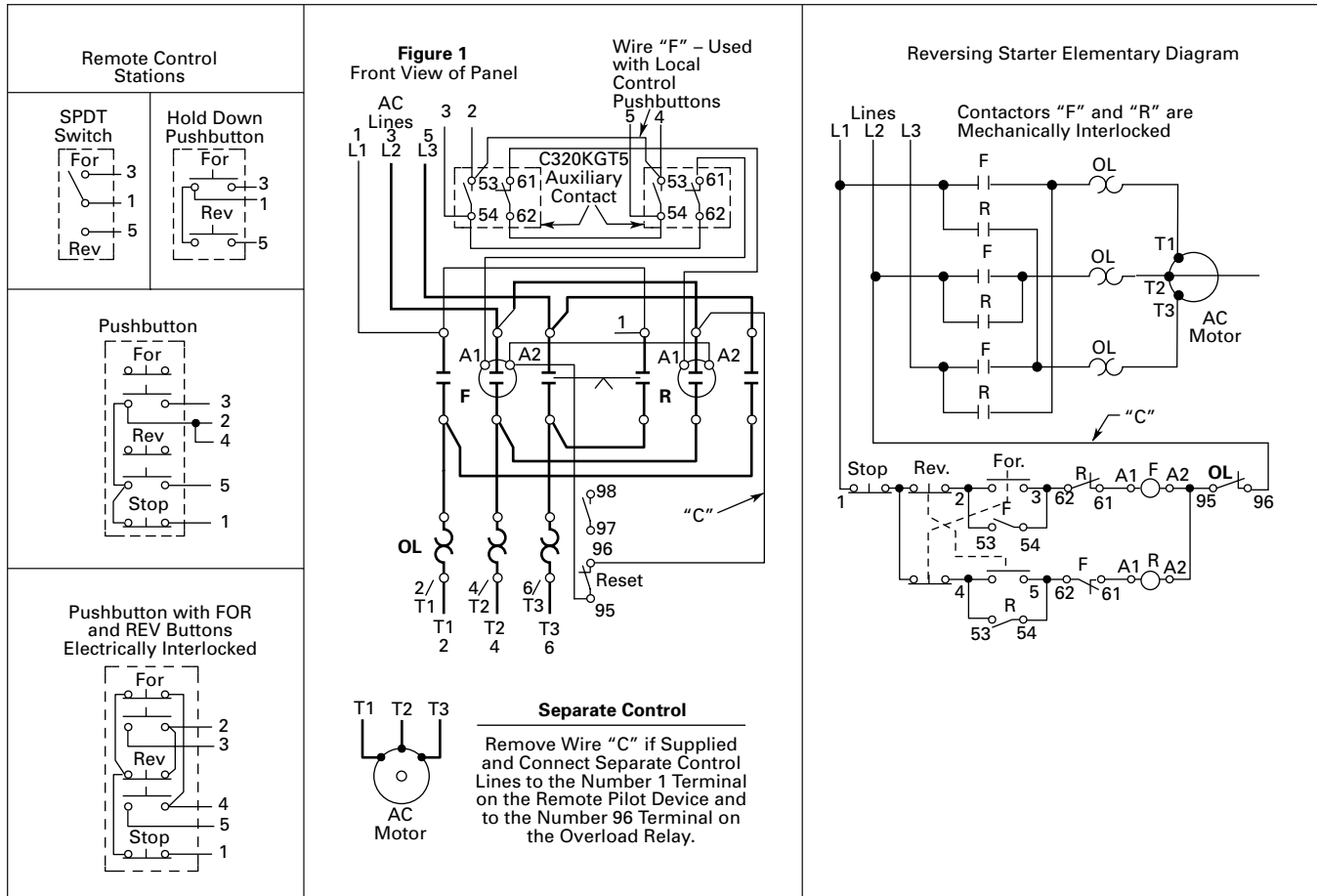


Figure 4-3. Typical Wiring Diagram — Non-combination Starters (Reversing)



Enclosed XT CMC

Product Description

Eaton's Cutler-Hammer® **XT** Line includes IEC Contactors, Starters and Combination Motor Controllers (CMCs). Designed to meet International Standards, the Enclosed Control **XT** Line (ECX) carries UL and cUL certifications.

Features and Benefits

- ON/OFF rotary handle with lockout provision
- Visible trip indication
- Test trip function
- Motor applications from 0.11A to 32A
- Class 10 overload protection
- Built-in heater and magnetic trip elements to protect the motor
- Phase loss sensitivity
- Type 2 coordination
- Ambient compensated up to 55°C [140°F]
- Control inputs located at front of starter for easy access and wiring
- Wide range of coils
- DIN Rail mount — XTSC...BB_
- Mounting plates — XTSC...BC_, XTSC...D motor controllers
- Adjustment dial for setting motor FLA
- Short circuit trip at 14 times the maximum setting of the FLA adjustment dial
- UL 508 Type F CMC High Fault Short Circuit Ratings: Refer to Manual Motor Protectors in **CA08102001E**.
- Nonmetallic and metallic enclosures in Types 1 (IP23), 4 (IP66), 4X (IP66) and 12 (IP65)
- Opaque (standard) or clear covers available on nonmetallic Halyester enclosure

Short Circuit Ratings

- 0 – 12A/B-frame MMP with B-frame contactor
 - 50K AIC @ 600V
- 13 – 32A/B-frame MMP with C-frame contactor
 - 18K AIC @ 600V

Standards and Certifications

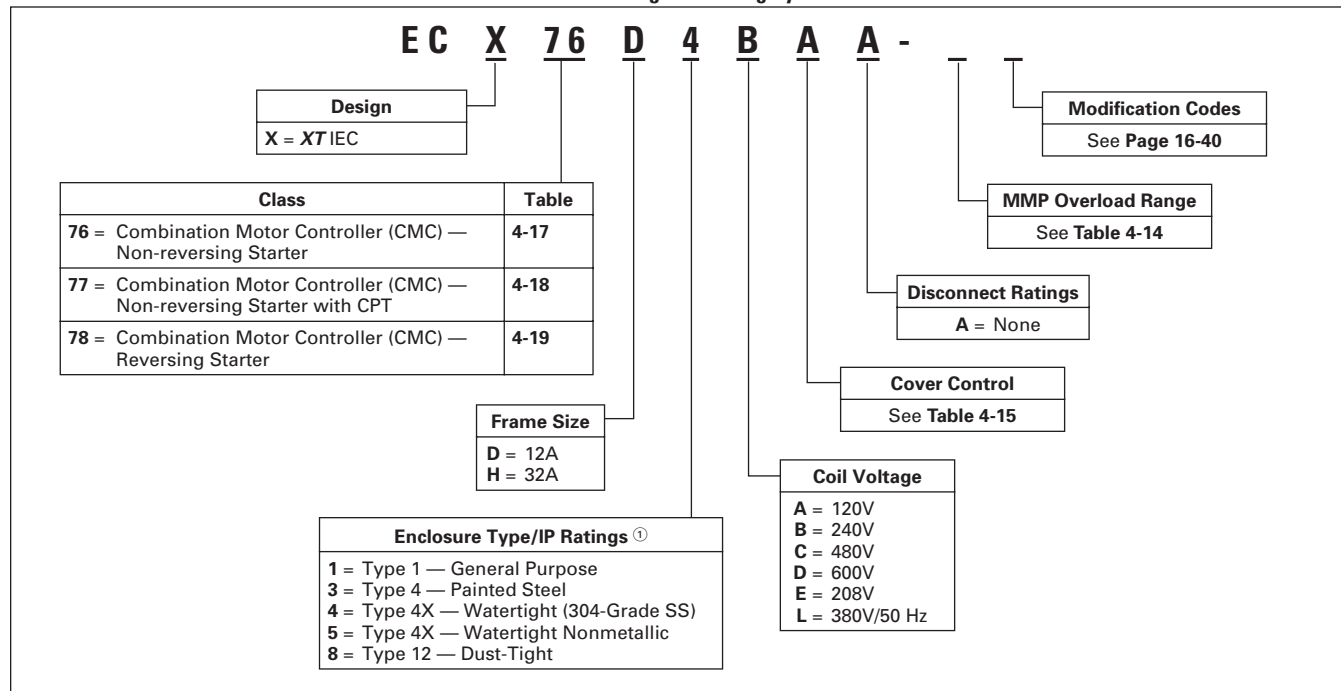
Note: See **Page 18-2** for additional information on Standards and Certifications that apply to all Cutler-Hammer Enclosed Control products.

- UL Listed
- cUL Listed (indicates appropriate CSA Standard investigation)

Combination Motor Controllers

Catalog Number Selection

Table 4-13. Combination Motor Controllers — Enclosed Control Catalog Numbering System



① See Table 1-2 on Page 1-4 for Enclosure Type/IP Rating Cross-Reference.

Table 4-14. XTPR MMP Amperage Ranges

XT MMP Catalog Number	Overload Amp Range	Enclosed Control Suffix Code
Frame B Rotary MMP		
XTPRP16BC1	.1 – .16	A
XTPRP25BC1	.16 – .25	B
XTPRP40BC1	.25 – .4	C
XTPRP63BC1	.4 – .63	D
XTPR001BC1	.63 – 1	E
XTPR1P6BC1	1 – 1.6	F
XTPR2P5BC1	1.6 – 2.5	G
XTPR004BC1	2.5 – 4	H
XTPR6P3BC1	4 – 6.3	J
XTPR010BC1	6.3 – 10	K
XTPR012BC1	8 – 12.0	L
XTPR016BC1	10 – 16.0	M
XTPR020BC1	16 – 20	N
XTPR025BC1	20 – 25	Q
XTPR032BC1	25 – 32	R

Combination Motor Controllers

Cover Control

- Cover control for Combination Motor Control Starters uses the 10250T (30 mm) family.
- E22 style cover control is an available option
- Selector switches are maintained with lever operators.
- Pushbuttons are momentary type with extended pushbutton.
- The kit includes hardware and connecting wires (where possible).
- For factory installed control devices other than shown below, refer to Modification Codes, **Page 16-40**.

Table 4-15. 10250T Style Combination Cover Control

Description	Factory Installed Flange Control	Field Installation Kits
	Position 9 Alpha	Combination Catalog Number

Non-reversing

No Cover Mounted Pilot Devices START/STOP Pushbuttons with Red RUN Pilot Light with Red RUN/Green OFF Lights	A B C D	— C400T1 — —
ON/OFF Pushbuttons with Red RUN Pilot Light with Red RUN/Green OFF Lights	E F G	C400T2 — —
HAND/OFF/AUTO Selector Switch with Red RUN Pilot Light with Red RUN/Green OFF Lights	H J K	C400T12 — —
START Pushbutton ON Pushbutton OFF Pushbutton Red RUN Pilot Light Green OFF Red RUN/Green OFF Pilot Lights	L M N P Q R	C400T3 C400T4 C400T5 C400T9 ① C400T10 ① C400T11 ①
START/STOP Selector Switch with Red RUN Pilot Light with Red RUN/Green OFF Lights	S T U	C400T13 — —
ON/OFF Selector Switch with Red RUN Pilot Light with Red RUN/Green OFF Lights	V W X	C400T14 — —

Reversing

No Cover Mounted Pilot Devices FOR/REV/STOP Pushbuttons with 2 Red Pilot Lights with 2 Red/1 Green Pilot Lights	A B C D	— C400T6 — —
UP/STOP/DOWN Pushbuttons with 2 Red Pilot Lights	E F	— —
FOR/OFF/REV Selector Switch with 2 Red Pilot Lights with 2 Red/1 Green Pilot Lights	H J K	C400T15 — —
Two Red Pilot Lights One Green Pilot Light Two Red/One Green Pilot Lights OPEN/OFF/CLOSE Selector Switch with 2 Red Pilot Lights with 2 Red/1 Green Pilot Lights	P Q R V W X	② C400T10 ① — C400T16 — —

① Add Code Letter from the table below to Catalog Number for voltage — Kits only.
Example: C400T9B.

Rating	Code Letter	Rating	Code Letter	Rating	Code Letter
120V 60 Hz 208V 60 Hz	A E	240V 60 Hz 380V 50 Hz	B L	480V 60 Hz 600V 60 Hz	C D

② Order Quantity (2) of C400T10.

Combination Motor Controllers

Table 4-16. E22 Style Combination Motor Controller Cover Control

Description	Factory Installed ^①	Field Kits
	Position 9 Cover Control Code	Combination Only Catalog Number

Non-reversing

START/STOP Pushbuttons (PB) START/STOP PB & Red RUN Light START/STOP PB, Red RUN, & Green STOPPED Light HAND/OFF/AUTO Selector Switch (SS) H-O-A SS & Red RUN Light	B C D H J	CE400T01 CE400T02 ^② CE400T03 ^② CE400T04 CE400T05 ^②
H-O-A SS, Red RUN, & Green STOPPED Light Red RUN Pilot Light Green Off Pilot Light Red RUN/Green OFF Pilot Light ON/OFF Selector Switch (SS)	K P Q R S	CE400T06 ^② CE400T10 ^② CE400T11 ^② CE400T12 ^② CE400T07
ON/OFF SS, Red RUN Light ON/OFF SS, Red RUN, & Green STOPPED Light	T U	CE400T08 ^② CE400T09 ^②

Reversing

FWD/REV/STOP Pushbuttons (PB) FWD/REV/STOP PB + Red FWD & REV Lights FWD/REV/STOP PB, Red FWD/REV, & Green STOPPED FOR/OFF/REV Selector Switch (SS) FOR/OFF/REV SS + Red FWD & REV Lights	B C D H J	CE400T50 CE400T51 ^② CE400T52 ^② CE400T53 CE400T54 ^②
FOR/OFF/REV SS, Red FWD/REV, & Green STOPPED OPEN/OFF/CLOSE Selector Switch (SS) OPEN/OFF/CLOSE SS + Red FWD & REV Lights OPEN/OFF/CLOSE SS, Red FWD/REV, & Green STOPPED	K V W X	CE400T55 ^② CE400T56 CE400T57 ^② CE400T58 ^②

^① To include any of the above cover controls, place the control code character in position 9 of your Catalog Number and add Mod Code **P74**. Example: ECX77H1ADA-**P74**. Full voltage non-reversing fusible starter with interchangeable heater OLR and START/STOP pushbutton with red RUN and green OFF pilot lights.

^② Suffix for lights (required for field installed kits only) in the table below:

Rating	Catalog Suffix	Rating	Catalog Suffix
120V 60 Hz	A	277V 60 Hz	H
208V 60 Hz	E	380V 50 Hz	L
240V 60 Hz	B	460V 60 Hz	C
		600V 60 Hz	D

Note: All CMC design built in enclosure Size 5 do not contain a CPT. In order to supply internal power for cover control, the enclosure must increase to Size 6. If control power is to be supplied from a source outside of the enclosure, there is no need to oversize. Note that 32A and less FVNR designs permit room for a 24V DC power supply to be installed.

Combination Motor Controllers

Product Selection

Table 4-17. Class ECX76 — Combination Motor Controller (CMC) — Non-reversing Starter

Size	Amps	Maximum hp ^①			Coil voltage @ 60 Hz ^②	Type 1/IP23 General Purpose	Type 4X/IP66 ^{④⑤} Watertight	Component ^③
		Motor Voltage	1-phase	3-phase		Catalog Number	Catalog Number	Catalog Number
D	12	115	1/2	—	120	ECX76D1AAA_	ECX76D4AAA_	XTPR__BC1
		208	1-1/2	3	208	ECX76D1EAA_	ECX76D4EAA_	
		230	2	3	240	ECX76D1BAA_	ECX76D4BAA_	
		380	—	5	380/50 Hz	ECX76D1LAA_	ECX76D4LAA_	
		460	—	7-1/2	480	ECX76D1CAA_	ECX76D4CAA_	
		575	—	10	600	ECX76D1DAA_	ECX76D4DAA_	
H	32	115	3	—	120	ECX76H1AAA_	ECX76H4AAA_	XTPR__BC1
		208	5	10	208	ECX76H1EAA_	ECX76H4EAA_	
		230	5	10	240	ECX76H1BAA_	ECX76H4BAA_	
		380	—	15	380/50 Hz	ECX76H1LAA_	ECX76H4LAA_	
		460	—	20	480	ECX76H1CAA_	ECX76H4CAA_	
		575	—	25	600	ECX76H1DAA_	ECX76H4DAA_	

- ① 1 hp = 0.746 kW.
- ② Voltage is listed @ 60 Hz unless otherwise noted. Other voltages available upon request.
- ③ Select proper "XTPR" MMP Overload Amperage range as per motor FLA, see **Page 4-24**.
- ④ These are the Catalog Numbers for Type 4X 304-Grade Stainless Steel, as indicated by the seventh digit 4. Example: ECX76D4AAA_-. To order Type 4 Painted Steel, change that digit to 3.
- ⑤ Handle mechanism is rated Type 1 or 12. Contact local sales office for availability of Type 4X versions.

Table 4-17. Class ECX76 — Combination Motor Controller (CMC) — Non-reversing Starter (Continued)

Size	Amps	Maximum hp ^⑥			Coil voltage @ 60 Hz ^⑦	Type 4X Nonmetallic/IP66 ^⑧ Watertight	Type 12/IP65 Dust-Tight	Component ^⑧
		Motor Voltage	1-phase	3-phase		Catalog Number	Catalog Number	Catalog Number
D	12	115	1/2	—	120	ECX76D5AAA_	ECX76D8AAA_	XTPR__BC1
		208	1-1/2	3	208	ECX76D5EAA_	ECX76D8EAA_	
		230	2	3	240	ECX76D5BAA_	ECX76D8BAA_	
		380	—	5	380/50 Hz	ECX76D5LAA_	ECX76D8LAA_	
		460	—	7-1/2	480	ECX76D5CAA_	ECX76D8CAA_	
		575	—	10	600	ECX76D5DAA_	ECX76D8DAA_	
H	32	115	3	—	120	ECX76H5AAA_	ECX76H8AAA_	XTPR__BC1
		208	5	10	208	ECX76H5EAA_	ECX76H8EAA_	
		230	5	10	240	ECX76H5BAA_	ECX76H8BAA_	
		380	—	15	380/50 Hz	ECX76H5LAA_	ECX76H8LAA_	
		460	—	20	480	ECX76H5CAA_	ECX76H8CAA_	
		575	—	25	600	ECX76H5DAA_	ECX76H8DAA_	

- ⑥ 1 hp = 0.746 kW.
- ⑦ Voltage is listed @ 60 Hz unless otherwise noted. Other voltages available upon request.
- ⑧ Select proper "XTPR" MMP Overload Amperage range as per motor FLA, see **Page 4-24**.
- ⑨ Handle mechanism is rated Type 1 or 12. Contact local sales office for availability of Type 4X versions.

4

Cover Control **Page 4-25**
 Dimensions **Page 15-5**
 Modifications Codes **Page 16-40**
 Technical Data, MMPs **CA08102001E**
 Technical Data, Contactors **Page 18-19**

Combination Motor Controllers

4

Table 4-18. Class ECX77 — Combination Motor Controller (CMC) — Non-reversing Starter with CPT

Size	Amps	Maximum hp ^①			Coil voltage @ 60 Hz ^②	Type 1/IP23 General Purpose	Type 4X/IP66 ^{④⑤} Watertight	Component ^③
		Motor Voltage	1-phase	3-phase		Catalog Number	Catalog Number	Catalog Number
D	12	115	1/2	—	120	ECX77D1AAA- ECX77D1EAA- ECX77D1BAA- ECX77D1LAA- ECX77D1CAA- ECX77D1DAA-	ECX77D4AAA- ECX77D4EAA- ECX77D4BAA- ECX77D4LAA- ECX77D4CAA- ECX77D4DAA-	XTPR__ _BC1
		208	1-1/2	3	208			
		230	2	3	240			
		380	—	5	380/50 Hz			
		460	—	7-1/2	480			
		575	—	10	600			
H	32	115	3	—	120	ECX77H1AAA- ECX77H1EAA- ECX77H1BAA- ECX77H1LAA- ECX77H1CAA- ECX77H1DAA-	ECX77H4AAA- ECX77H4EAA- ECX77H4BAA- ECX77H4LAA- ECX77H4CAA- ECX77H4DAA-	XTPR__ _BC1
		208	5	10	208			
		230	5	10	240			
		380	—	15	380/50 Hz			
		460	—	20	480			
		575	—	25	600			

- ① 1 hp = 0.746 kW.
- ② Voltage is listed @ 60 Hz unless otherwise noted. Other voltages available upon request.
- ③ Select proper "XTPR" MMP Overload Amperage range as per motor FLA, see **Page 4-24**.
- ④ These are the Catalog Numbers for Type 4X 304-Grade Stainless Steel, as indicated by the seventh digit 4. Example: ECX77D4AAA-_. To order Type 4 Painted Steel, change that digit to 3.
- ⑤ Handle mechanism is rated Type 1 or 12. Contact local sales office for availability of Type 4X versions.

Table 4-18. Class ECX77 — Combination Motor Controller (CMC) — Non-reversing Starter with CPT (Continued)

Size	Amps	Maximum hp ^⑥			Coil voltage @ 60 Hz ^⑦	Type 4X Nonmetallic/IP66 ^⑧ Watertight	Type 12/IP65 Dust-Tight	Component ^⑧
		Motor Voltage	1-phase	3-phase		Catalog Number	Catalog Number	Catalog Number
D	12	115	1/2	—	120	ECX77D5AAA- ECX77D5EAA- ECX77D5BAA- ECX77D5LAA- ECX77D5CAA- ECX77D5DAA-	ECX77D8AAA- ECX77D8EAA- ECX77D8BAA- ECX77D8LAA- ECX77D8CAA- ECX77D8DAA-	XTPR__ _BC1
		208	1-1/2	3	208			
		230	2	3	240			
		380	—	5	380/50 Hz			
		460	—	7-1/2	480			
		575	—	10	600			
H	32	115	3	—	120	ECX77H5AAA- ECX77H5EAA- ECX77H5BAA- ECX77H5LAA- ECX77H5CAA- ECX77H5DAA-	ECX77H8AAA- ECX77H8EAA- ECX77H8BAA- ECX77H8LAA- ECX77H8CAA- ECX77H8DAA-	XTPR__ _BC1
		208	5	10	208			
		230	5	10	240			
		380	—	15	380/50 Hz			
		460	—	20	480			
		575	—	25	600			

- ⑥ 1 hp = 0.746 kW.
- ⑦ Voltage is listed @ 60 Hz unless otherwise noted. Other voltages available upon request.
- ⑧ Select proper "XTPR" MMP Overload Amperage range as per motor FLA, see **Page 4-24**.
- ⑨ Handle mechanism is rated Type 1 or 12. Contact local sales office for availability of Type 4X versions.

Cover Control **Page 4-25**
 Dimensions **Page 15-5**
 Modifications Codes **Page 16-40**
 Technical Data, MMPs **CA08102001E**
 Technical Data, Contactors **Page 18-19**

Combination Motor Controllers

4

Table 4-19. Class ECX78 — Combination Motor Controller (CMC) — Reversing Starter

Size	Amps	Maximum hp ^①			Coil voltage @ 60 Hz ^②	Type 1/IP23 General Purpose	Type 4X/IP66 ^{④⑤} Watertight	Component ^③
		Motor Voltage	1-phase	3-phase		Catalog Number	Catalog Number	Catalog Number
D	12	115	1/2	—	120	ECX78D1AAA_	ECX78D4AAA_	XTPR__BC1
		208	1-1/2	3	208	ECX78D1EAA_	ECX78D4EAA_	
		230	2	3	240	ECX78D1BAA_	ECX78D4BAA_	
		380	—	5	380/50 Hz	ECX78D1LAA_	ECX78D4LAA_	
		460	—	7-1/2	480	ECX78D1CAA_	ECX78D4CAA_	
		575	—	10	600	ECX78D1DAA_	ECX78D4DAA_	
H	32	115	3	—	120	ECX78H1AAA_	ECX78H4AAA_	XTPR__BC1
		208	5	10	208	ECX78H1EAA_	ECX78H4EAA_	
		230	5	10	240	ECX78H1BAA_	ECX78H4BAA_	
		380	—	15	380/50 Hz	ECX78H1LAA_	ECX78H4LAA_	
		460	—	20	480	ECX78H1CAA_	ECX78H4CAA_	
		575	—	25	600	ECX78H1DAA_	ECX78H4DAA_	

- ① 1 hp = 0.746 kW.
- ② Voltage is listed @ 60 Hz unless otherwise noted. Other voltages available upon request.
- ③ Select proper "XTPR" MMP Overload Amperage range as per motor FLA, see **Page 4-24**.
- ④ These are the Catalog Numbers for Type 4X 304-Grade Stainless Steel, as indicated by the seventh digit 4. Example: ECX78D4AAA_-. To order Type 4 Painted Steel, change that digit to 3.
- ⑤ Handle mechanism is rated Type 1 or 12. Contact local sales office for availability of Type 4X versions.

Table 4-19. Class ECX78 — Combination Motor Controller (CMC) — Reversing Starter (Continued)

Size	Amps	Maximum hp ^⑥			Coil voltage @ 60 Hz ^⑦	Type 4X Nonmetallic/IP66 ^⑧ Watertight	Type 12/IP65 Dust-Tight	Component ^⑧
		Motor Voltage	1-phase	3-phase		Catalog Number	Catalog Number	Catalog Number
D	12	115	1/2	—	120	ECX78D5AAA_	ECX78D8AAA_	XTPR__BC1
		208	1-1/2	3	208	ECX78D5EAA_	ECX78D8EAA_	
		230	2	3	240	ECX78D5BAA_	ECX78D8BAA_	
		380	—	5	380/50 Hz	ECX78D5LAA_	ECX78D8LAA_	
		460	—	7-1/2	480	ECX78D5CAA_	ECX78D8CAA_	
		575	—	10	600	ECX78D5DAA_	ECX78D8DAA_	
H	32	115	3	—	120	ECX78H5AAA_	ECX78H8AAA_	XTPR__BC1
		208	5	10	208	ECX78H5EAA_	ECX78H8EAA_	
		230	5	10	240	ECX78H5BAA_	ECX78H8BAA_	
		380	—	15	380/50 Hz	ECX78H5LAA_	ECX78H8LAA_	
		460	—	20	480	ECX78H5CAA_	ECX78H8CAA_	
		575	—	25	600	ECX78H5DAA_	ECX78H8DAA_	

- ⑥ 1 hp = 0.746 kW.
- ⑦ Voltage is listed @ 60 Hz unless otherwise noted. Other voltages available upon request.
- ⑧ Select proper "XTPR" MMP Overload Amperage range as per motor FLA, see **Page 4-24**.
- ⑨ Handle mechanism is rated Type 1 or 12. Contact local sales office for availability of Type 4X versions.

Cover Control **Page 4-25**
 Dimensions **Page 15-5**
 Modifications Codes **Page 16-40**
 Technical Data, MMPs **CA08102001E**
 Technical Data, Contactors **Page 18-19**