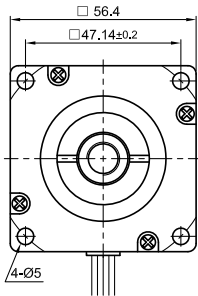
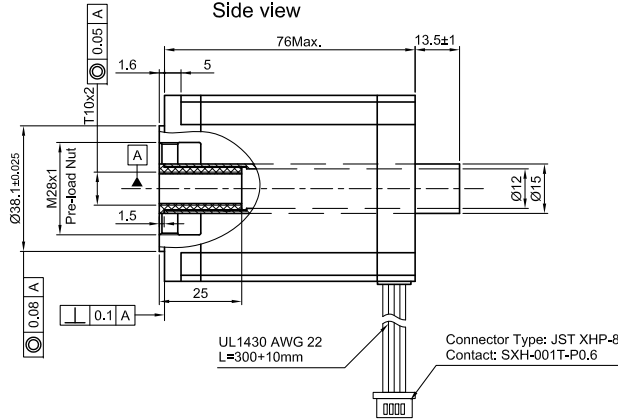


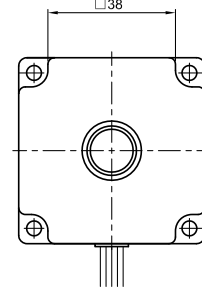
Front view and mounting



Side view



Rear view



SPECIFICATION	UNIPOLAR OR BIPOLAR-1 WINDING	BIPOLAR	
		SERIAL	PARALLEL
AMPS/PHASE	3.0	2.1	4.2
RESISTANCE/PHASE (Ohms)@25°C	1.0±10%	2.0±10%	0.5±10%
INDUCTANCE/PHASE (mH) @1KHz	2.2±20%	8.8±20%	2.2±20%
SPINDLE PITCH (mm) [in]	2 [0.078]		
THRUST (N) [lb]	1000 [2248]		
RESOLUTION (mm/STEP)	0.01		
STATIC THRUST (N) (NO CURRENT)	500		
MAX. SPEED (mm/sec.) at 48V	80		
MAX. SPEED WITH MAX. THRUST (mm/sec.)	25		
WEIGHT (Kg) [lb]	1.0 [1.43]		
TEMPERATURE RISE: MAX.80°C (MOTOR STANDSTILL; FOR 2 PHASE ENERGIZED)			
AMBIENT TEMPERATURE -10°~ 50°C [14°F ~ 122°F]			
INSULATION RESISTANCE 100 MOhm (UNDER NORMAL TEMPERATURE AND HUMIDITY)			
INSULATION CLASS B 130° [266°F]			
DIELECTRIC STRENGTH 500VAC FOR 1 MIN. (BETWEEN THE MOTOR COILS AND THE MOTOR CASE)			
AMBIENT HUMIDITY MAX. 85% (NO CONDENSATION)			

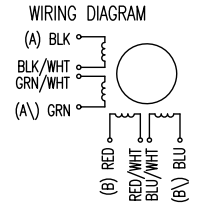
Please regard the application note at www.nanotec.com for further informations.

Shaft play is adjustable at the motor.

TYPE OF CONNECTION (EXTERN)				MOTOR		
UNIPOLAR	TWINDING	BIPOLAR SERIAL	PARALLEL	CONNECTOR PIN NO.	LEADS	WINDING
A	A	A	A	1	BLK	A
COM	A	A	A	2	BLK/WHT	A
A\	B	B	B	3	GRN/WHT	A\
B	B	B	B	4	GRN	B
COM	B	B	B	5	RED	B
A\	B	B	B	6	RED/WHT	A\
B\	B	B	B	7	BLU/WHT	B\
B\	B	B	B	8	BLU	B\

FULL STEP 2 PHASE-Ex., WHEN FACING MOUNTING END (X)

STEP	A	B	A\	B\	CCW
1	+	+	-	-	↑
2	-	+	+	-	↑
3	-	-	+	+	↓
4	+	-	-	+	↓



				 Nanotec PLUG & DRIVE	SCALE FREE	APVD		LINEAR AKTUATOR DWG.NO
					X ±0.5	CHKD ZYL	03.09.10	
				1PL ±0.2	DRN GYQ	03.09.10		
REV	DESCRIPTION	DATE	APVD	L5918L3008-T10x2	ANGLE ±30'	SIGNATURE	DATE	L5918L3008-T10x2