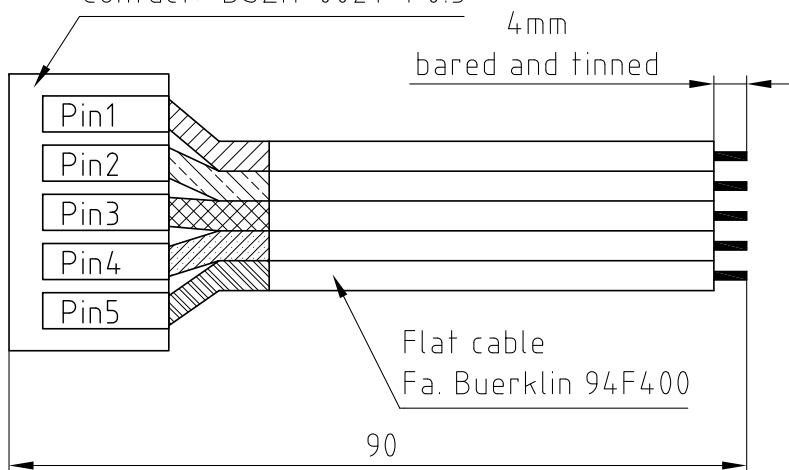



DIMENSION (UNIT : mm)

JST ZHR5-CONNECTOR 5-POLE WITH 90mm CABLE

Housing: JST-ZHR-5
 Contact: BSZH-002T-P0.5



PIN ASSIGNMENT	
PIN NO.	COLOUR
1	PK
2	BU
3	RD
4	BK
5	VT

				 Nanotec PLUG & DRIVE	SCALE FREE	APVD	<i>S.R.</i>	22.07.09	ENCODER CABLE
					X ±0.5	CHKD			
				ZK-ZHR5-90	1PL ±0.2	DRN	<i>J.W.</i>	22.07.09	ZK-ZHR5-90
REV	DESCRIPTION	DATE	APVD		2PL ±0.1	SIGNATURE	DATE		
					ANGLE ±30°				