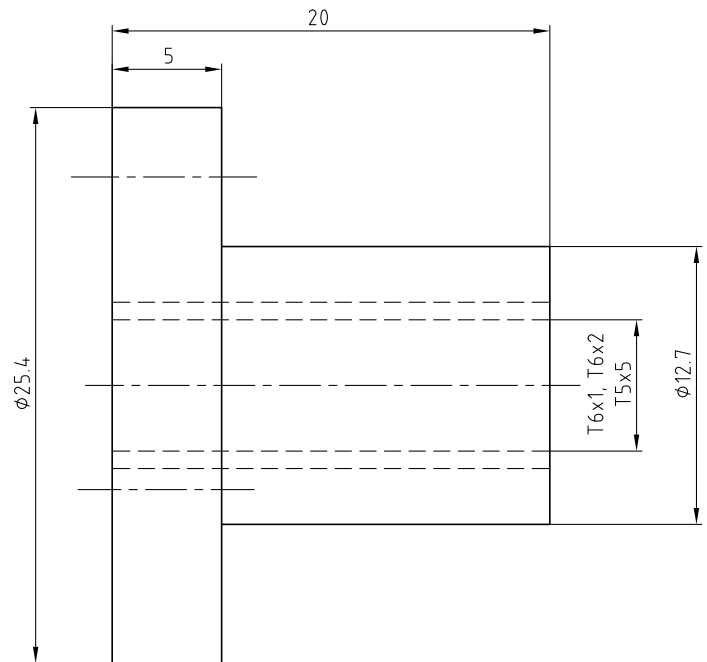
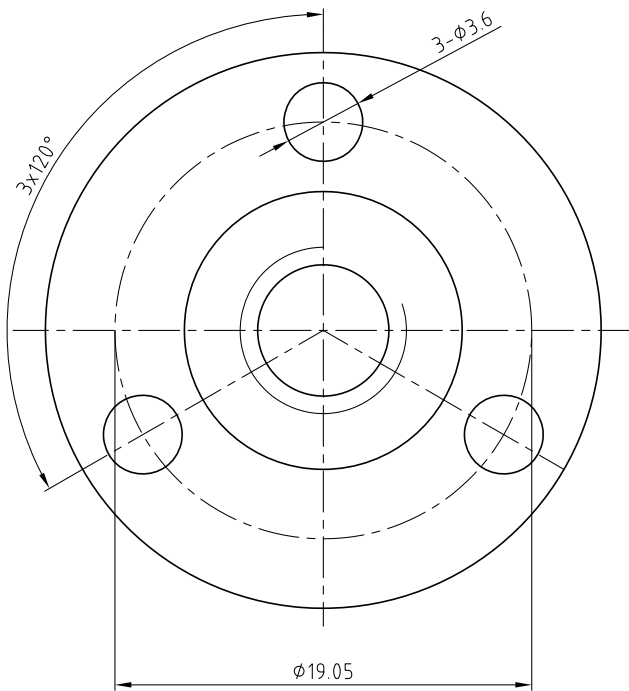



DIMENSION (UNIT : mm)

Toleranz:  $\pm 0.1$



	DIN 2768-m			 <b>Nanotec</b> PLUG & DRIVE	SCALE FREE	APVD		M 4:1	Gewindemutter
	Material:PEEK schwarz				X $\pm 0.5$	CHKD			
				1PL $\pm 0.2$	DRN	J.W.	06.08.10		DWG.NO
REV	DESCRIPTION	DATE	APVD	2PL $\pm 0.1$	SIGNATURE				LSNUT-T5-T6-F
				ANGLE $\pm 30'$					