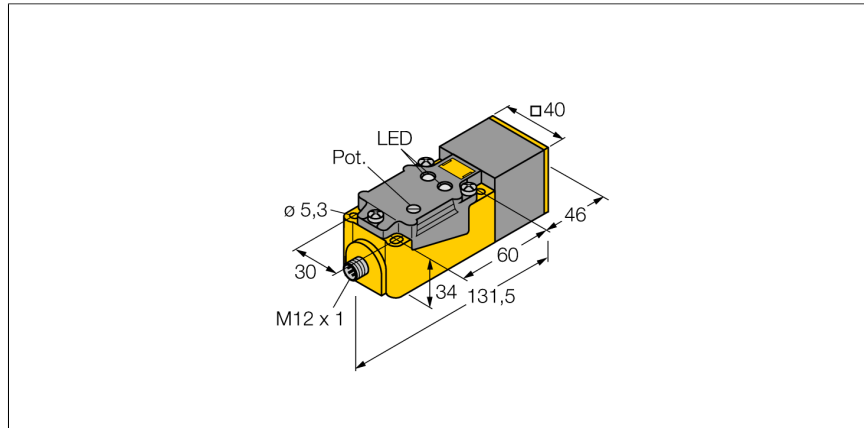
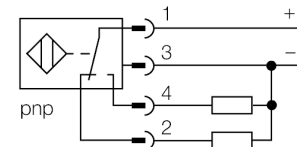


capacitive sensor
BC20-CP40-VP4X2-H1141



- Rectangular, height 40 mm
- 9 selectable sensor head positions
- Plastic, PBT-GF30-V0
- Fine adjustment via potentiometer
- DC 4-wire, 10...65 VDC
- Changeover contact, PNP output
- M12 x 1 connector

Wiring diagram



Functional principle

Capacitive proximity switches are designed for non-contact and wear-free detection of metal (electrically conductive) and non-metal (electrically non-conductive) objects.

Type	BC20-CP40-VP4X2-H1141
Ident-No.	2516102
Rated operating distance Sn	20 mm, flush mounting
Rated operating distance Sn	30 mm, non-flush mounting
Assured sensing range	≤ (0,72 x Sn) mm
Hysteresis	2...20
Temperature drift	≤ ± 20 %
Repeatability	≤ 2 %
Ambient temperature	-25...+70
Operating voltage	10...65
Residual ripple	≤ 10 % U _{SS}
DC rated operational current	≤ 200 mA
No-load current I ₀	≤ 15 mA
Residual current	≤ 0.1 mA
Switching frequency	≤ 0.1 kHz
Rated insulation voltage	≤ 0.5 kV
Output function	4-wire, changover contact, PNP
Short-circuit protection	yes/ cyclic
Voltage drop at I _e	≤ 1.8 V
Wire breakage / Reverse polarity protection	yes/ complete
Design	rectangular, CP40
Dimensions	114 x 40 x 40
Housing material	Plastic, PBT-GF30-V0, black
Material active face	Plastic, PBT-GF30-V0, yellow
Connection	connector, M12 x 1
Vibration resistance	55 Hz (1 mm)
Shock resistance	30 g (11 ms)
Protection class	IP67
Operating voltage	LED green
Switching state	LED yellow
Width of the active face B	40 mm

capacitive sensor
 BC20-CP40-VP4X2-H1141



Accessories

Type code	Ident-No.	Short text	Dimension drawing
SG40	69500	Protective housing; housing material: PA (per UL94/V-2); cover: PBT-GF30; for harsh environments; protection degree IP68, 5 m w.g.	
JUSTIERSCHIENE JS 025/037	69429	Mounting rail; material: VA 1.4301	
BSS-CP40	6901318	Fixing clamp; material: Polypropylene	