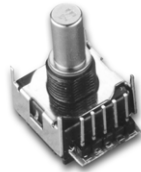


Miniature Panel Mount Optical Encoders HRPG series



Description

The HRPG series is a family of miniature panel mount optical encoders, also known as Rotary Pulse Generators (RPG) and digital potentiometers. The HRPG is designed to be mounted on a front panel and used as a rotary, data-entry device. The HRPG is very flexible for numerous applications due to the many configuration options available. These options include detents or smooth, multiple terminations, versatile mounting capabilities, and different shaft configurations.

The HRPG uses optical reflective technology providing accuracy and reliability to the encoder. An LED emits a beam of light onto the specular codewheel surface. When the light

strikes the surface, it projects the image of the codewheel back on the photodetector, causing the output to change. The entire detector circuit is on one IC, thus the part is less sensitive to temperature and other environmental variations.

Features

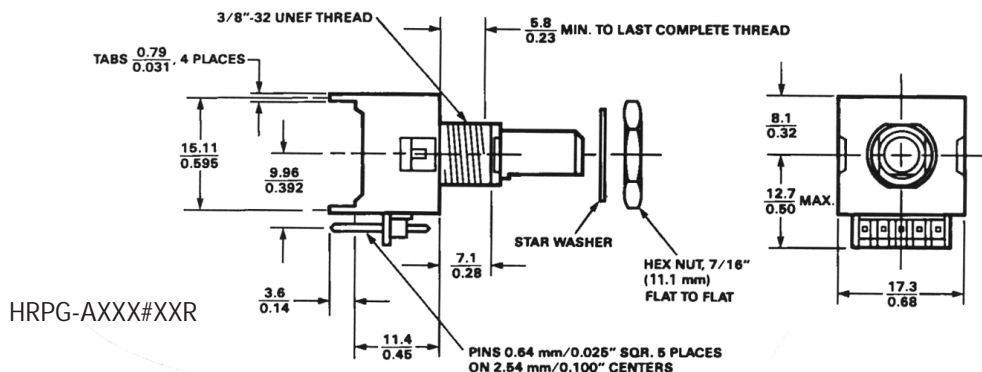
- Miniature Size
- Smooth Turning and Detented Options
- Multiple Mounting Bracket Options
- Uses Optical Reflective Technology
- Quadrature Digital Output
- Small Footprint for Versatile Mounting
- TTL Compatible

Applications

Typical applications for the Rotary Pulse Generator include front panel instruments, audio/visual boards, and other devices requiring digital output from a turning knob.

For applications requiring component reliability estimation, Agilent Technologies provides reliability data for all families of devices. Data is initially compiled from reliability tests run prior to market introduction to demonstrate that a product meets design criteria. This data represents the latest review of accumulated test results.

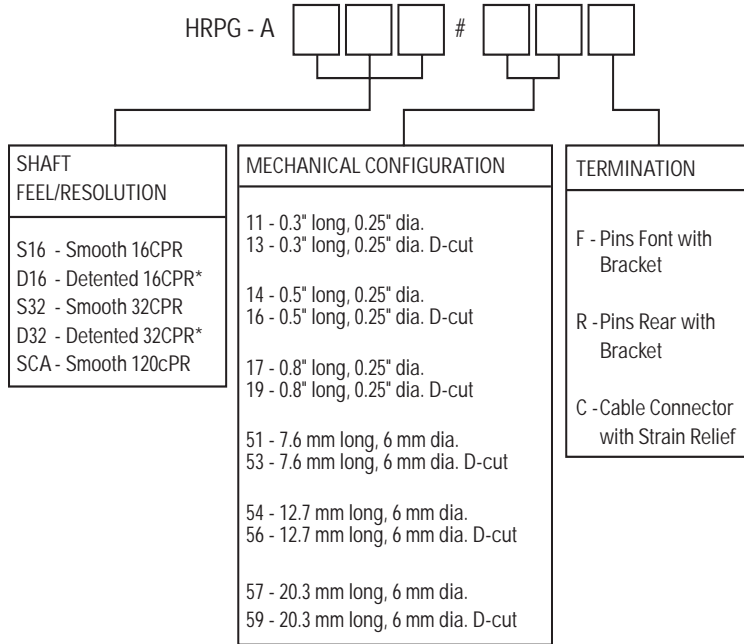
Package Dimensions



Agilent Technologies

HRPG Series
Miniature Panel Mount Optical Encoders

Part No.		Options		
		C	F	R
HRPG-AD32	11	.	.	.
	13	.	.	.
	14	.	.	.
	16	.	.	.
	17	.	.	.
	19	.	.	.
	51	.	.	.
	53	.	.	.
	54	.	.	.
	56	.	.	.
HRPG-AS16	11	.	.	.
	14	.	.	.
	17	.	.	.
	51	.	.	.
	53	.	.	.
	54	.	.	.
HRPG-AS32	11	.	.	.
	13	.	.	.
	14	.	.	.
	53	.	.	.
	56	.	.	.
HRPG-ASCA	11	.	.	.
	13	.	.	.
	14	.	.	.
	16	.	.	.
	17	.	.	.
	19	.	.	.
	51	.	.	.
	53	.	.	.
	54	.	.	.
	56	.	.	.
HRPG-AD16	16	.	.	.
	51	.	.	.
	54	.	.	.
	56	.	.	.
	59	.	.	.



For product information and a complete list of Agilent contacts and distributors, please go to our web site.

www.agilent.com/semiconductors

E-mail: SemiconductorSupport@agilent.com

Data subject to change.

Copyright © 2002 Agilent Technologies, Inc.

June 11, 2002

5988-2670EN

