

Ultimate Connector with Integral Cable Clamp Cap

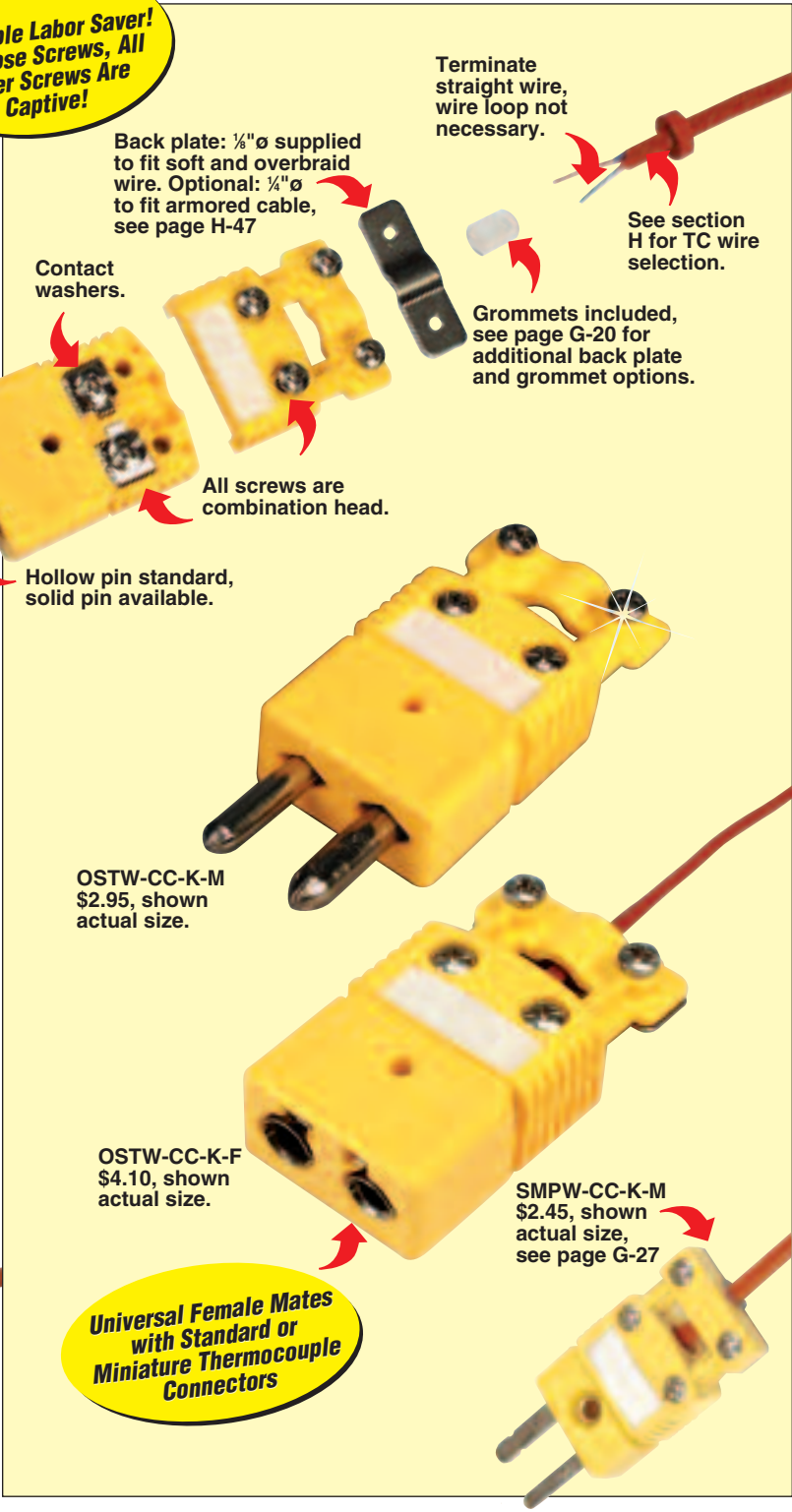
Glass Filled Nylon Range -29 to 220°C (-20 to 425°F)
Type OSTW Standard Size with Cable Clamp Cap

OSTW-CC Series
Starts at
\$2.95

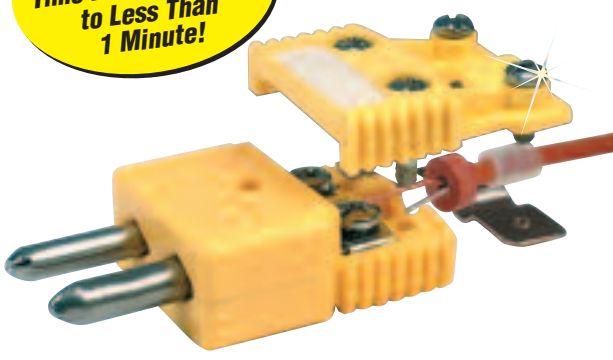


- ✓ Integral Cap and Cable Clamp
- ✓ Strain Relief With Grommet
- ✓ Pull Test High Rating
- ✓ Captive Cover and Clamp Screws
- ✓ Wire Termination Up to Size 14 AWG
- ✓ 1/8" Back Plate (Supplied)
Accepts: Stranded, Solid, TWSH, Overbraided, or RSC Coil Cord Wire
- ✓ 1/4" Back Plate (Optional)
Clamps to 8.2 mm (0.325") OD
- ✓ Contact Washers for Quick Connect Wire Terminations—No Wire Loop Required
- ✓ Internal Wire Divider
- ✓ Write-On Window
- ✓ Combination Phillips/Slot Screws
- ✓ 100% Top Side Assembly

**Incredible Labor Saver!
No Loose Screws, All
Cover Screws Are
Captive!**



**Reduce Assembly
Time From 3 Minutes
to Less Than
1 Minute!**

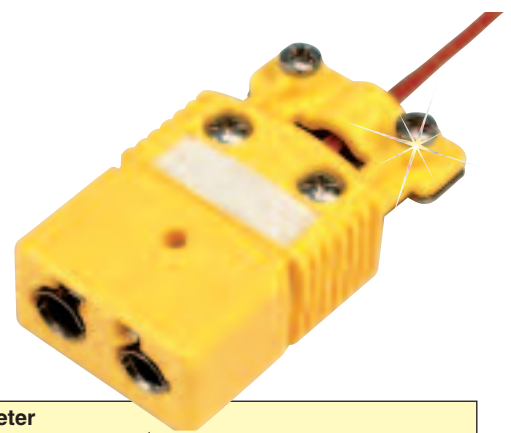


OSTW-CC-K-M
\$2.95, shown
actual size.



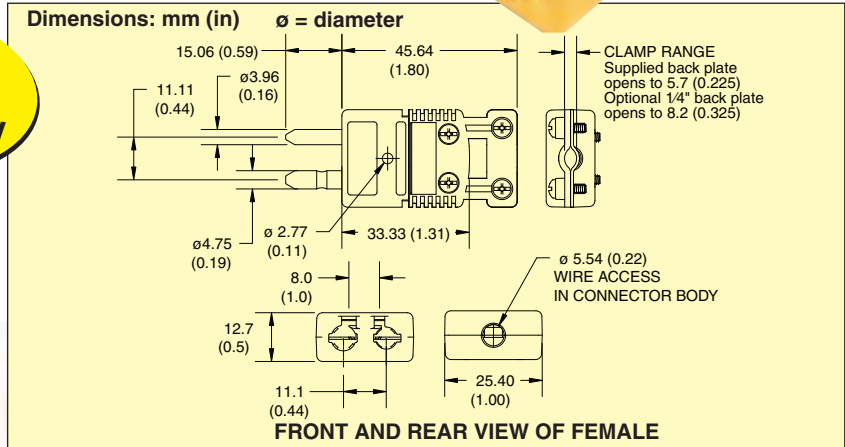
**Pull Test
Highest Rating**

OSTW-CC-K-F
\$4.10, shown
actual size.



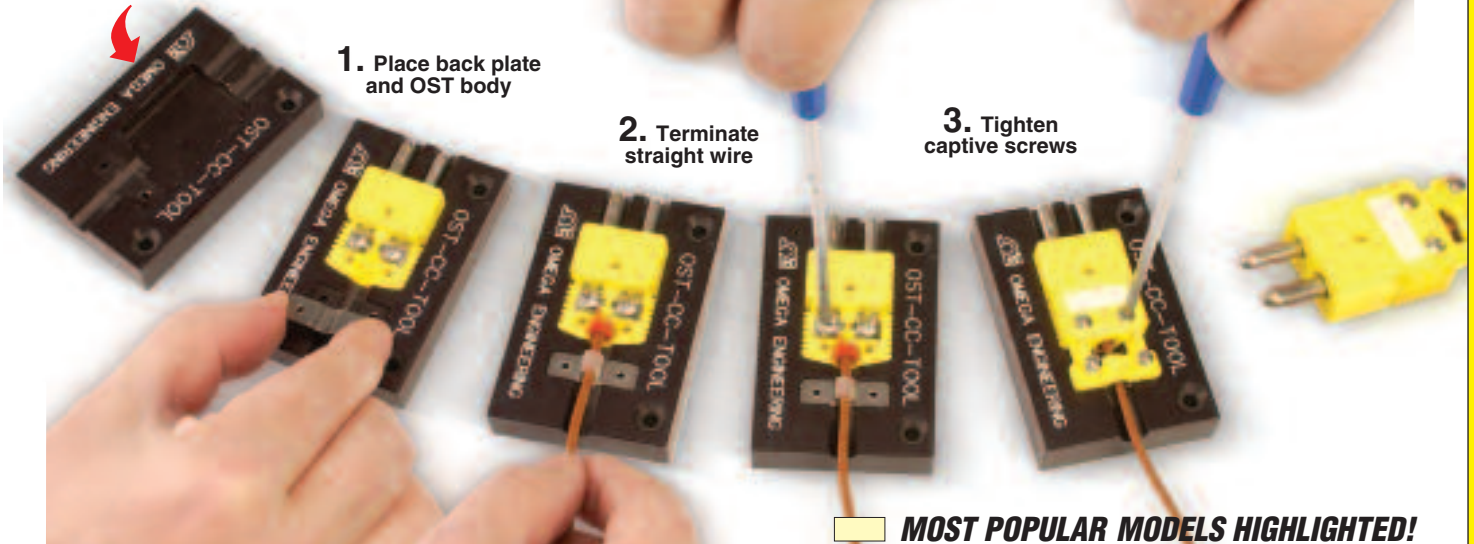
**Side Load
Equal to
Stainless Steel**

Discount Schedule	
1-10	Net
11-49	5%
50-99	10%
100-999	15%
1000-4999	20%
5000 and over	25%



Quick Assembly Tool!

OST-CC-TOOL, \$50,
shown smaller than
actual size. See page
G-20 for ordering info.



To Order (Specify Model Number)

Alloy Code	Compensating Alloy Used in Connector		ANSI Color Code	Glass-Filled Nylon Model Number		Price		
	(+)	(-)		Male**	Uni-Female	Pair (MF)*	(F)	Male (M)**
K	CHROME	ALOMEGA	Yellow	OSTW-CC-K-M	OSTW-CC-K-F	\$7.05	\$4.10	\$2.95
T	Copper	Constantan	Blue	OSTW-CC-T-M	OSTW-CC-T-F	7.05	4.10	2.95
J	Iron	Constantan	Black	OSTW-CC-J-M	OSTW-CC-J-F	7.05	4.10	2.95
E	CHROME	Constantan	Purple	OSTW-CC-E-M	OSTW-CC-E-F	7.05	4.10	2.95
R/S	Copper	RNX/SNX	Green	OSTW-CC-R/S-M	OSTW-CC-R/S-F	7.05	4.10	2.95
C	CPX	CNX	Red	OSTW-CC-C-M	OSTW-CC-C-F	7.05	4.10	2.95
U	Copper	Copper	White	OSTW-CC-U-M	OSTW-CC-U-F	7.05	4.10	2.95
N	OMEGA-P	OMEGA-N	Orange	OSTW-CC-N-M	OSTW-CC-N-F	7.05	4.10	2.95

* To order a pair, replace suffix "M" with "MF" for a connector pair.

** To order solid pin pale ponnectors, add suffix "-S" to the model number and add \$2 to price.

Ordering Example: OSTW-CC-K-M has clamp cap, type K, hollow pin male \$2.95.



UNITED STATES

www.omega.com
1-800-TC-OMEGA
Stamford, CT.

CANADA

www.omega.ca
Laval(Quebec)
1-800-TC-OMEGA

GERMANY

www.omega.de
Deckenpfronn, Germany
0800-8266342

UNITED KINGDOM

www.omega.co.uk
Manchester, England
0800-488-488

FRANCE

www.omega.fr
Guyancourt, France
088-466-342

CZECH REPUBLIC

www.omegaeng.cz
Karviná, Czech Republic
596-311-899

BENELUX

www.omega.nl
Amstelveen, NL
0800-099-33-44



More than 100,000 Products Available!

• Temperature

Calibrators, Connectors, General Test and Measurement Instruments, Glass Bulb Thermometers, Handheld Instruments for Temperature Measurement, Ice Point References, Indicating Labels, Crayons, Cements and Lacquers, Infrared Temperature Measurement Instruments, Recorders Relative Humidity Measurement Instruments, RTD Probes, Elements and Assemblies, Temperature & Process Meters, Timers and Counters, Temperature and Process Controllers and Power Switching Devices, Thermistor Elements, Probes and Assemblies, Thermocouples Thermowells and Head and Well Assemblies, Transmitters, Wire

• Flow and Level

Air Velocity Indicators, Doppler Flowmeters, Level Measurement, Magnetic Flowmeters, Mass Flowmeters, Pitot Tubes, Pumps, Rotameters, Turbine and Paddle Wheel Flowmeters, Ultrasonic Flowmeters, Valves, Variable Area Flowmeters, Vortex Shedding Flowmeters

• pH and Conductivity

Conductivity Instrumentation, Dissolved Oxygen Instrumentation, Environmental Instrumentation, pH Electrodes and Instruments, Water and Soil Analysis Instrumentation

• Data Acquisition

Auto-Dialers and Alarm Monitoring Systems, Communication Products and Converters, Data Acquisition and Analysis Software, Data Loggers Plug-in Cards, Signal Conditioners, USB, RS232, RS485 and Parallel Port Data Acquisition Systems, Wireless Transmitters and Receivers

• Pressure, Strain and Force

Displacement Transducers, Dynamic Measurement Force Sensors, Instrumentation for Pressure and Strain Measurements, Load Cells, Pressure Gauges, Pressure Reference Section, Pressure Switches, Pressure Transducers, Proximity Transducers, Regulators, Strain Gages, Torque Transducers, Valves

• Heaters

Band Heaters, Cartridge Heaters, Circulation Heaters, Comfort Heaters, Controllers, Meters and Switching Devices, Flexible Heaters, General Test and Measurement Instruments, Heater Hook-up Wire, Heating Cable Systems, Immersion Heaters, Process Air and Duct, Heaters, Radiant Heaters, Strip Heaters, Tubular Heaters